



Chipsmall Limited consists of a professional team with an average of over 10 year of expertise in the distribution of electronic components. Based in Hongkong, we have already established firm and mutual-benefit business relationships with customers from,Europe,America and south Asia,supplying obsolete and hard-to-find components to meet their specific needs.

With the principle of "Quality Parts,Customers Priority,Honest Operation,and Considerate Service",our business mainly focus on the distribution of electronic components. Line cards we deal with include Microchip,ALPS,ROHM,Xilinx,Pulse,ON,Everlight and Freescale. Main products comprise IC,Modules,Potentiometer,IC Socket,Relay,Connector.Our parts cover such applications as commercial,industrial, and automotives areas.

We are looking forward to setting up business relationship with you and hope to provide you with the best service and solution. Let us make a better world for our industry!



Contact us

Tel: +86-755-8981 8866 Fax: +86-755-8427 6832

Email & Skype: info@chipsmall.com Web: www.chipsmall.com

Address: A1208, Overseas Decoration Building, #122 Zhenhua RD., Futian, Shenzhen, China



Bias supply DC-DC KIT_6W_12V_ICE5

Auxiliary supply solution featuring off-line
SMPS current mode controller IC with
800 V CoolMOS™ P7 SJ MOSFET

Description

KIT_6W_12V_ICE5



Ordering code:
KIT_6W_12V_ICE5

Board components

- › QR flyback PWM controller 5th generation ([ICE5QSAG](#))
- › 800 V CoolMOS™ P7 SJ MOSFET ([IPU80R4K5P7](#))

Board specifications

- › Input voltage: 90 V_{DC} - 400 V_{DC}
- › Output voltage: 12 V_{DC} (prim. and sec. side)
- › Output power max.: 6 W (prim. + sec. side)

To be used with the following boards

- › [EVAL_800W_ZVS_FB_CFD7](#)
- › [EVAL_2KW_ZVS_FB_CFD2](#)
- › [EVAL_2KW_ZVS_FB_CFD7](#)
- › [EVAL_2.5KW_CCM_4PIN](#)
- › [EVAL_2K5W_CCM_4P](#)

Product features

ICE5QSAG

Description:

- › Infineon latest 5th generation quasi-resonant flyback PWM controller offers high performance and comprehensive suite of protection to increase system robustness.

Summary of Features:

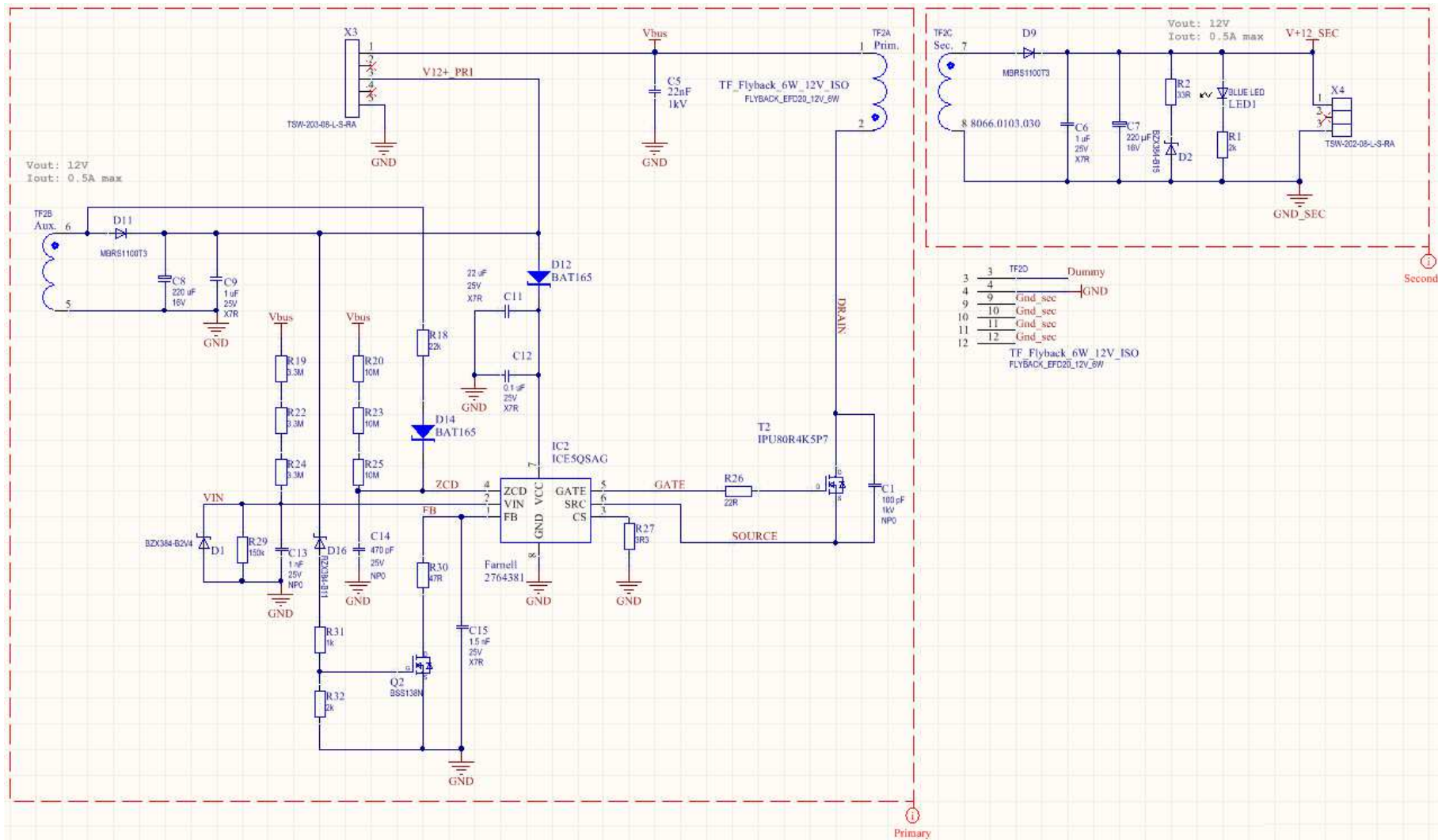
- › Novel quasi-resonant switching scheme
- › Rapid and adjustable start-up with cascode configuration
- › 2 level selectable active burst mode level
- › Built-in digital soft-start
- › Cycle by cycle peak current limitation
- › Digital frequency reduction with decreasing load for higher efficiency
- › Adjustable line input over-voltage and brown IN/OUT protection
- › V_{CC} and CS pin short to ground protection
- › OLP, output short, output over-voltage, OTP with hysteresis and V_{CC} over/under voltage protection
- › Auto-restart for all protection features



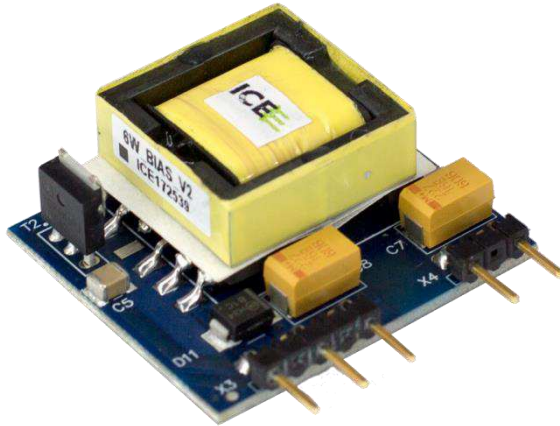
Benefits:

- › High efficiency with latest CoolMOS™ P7 SJ MOSFET family and quasi-resonant switching scheme
- › Auto-restart recovery scheme to minimize interruption to system operation
- › Extensive protection coverage to increase system robustness
- › Rapid start-up performance with cascode configuration

Schematic

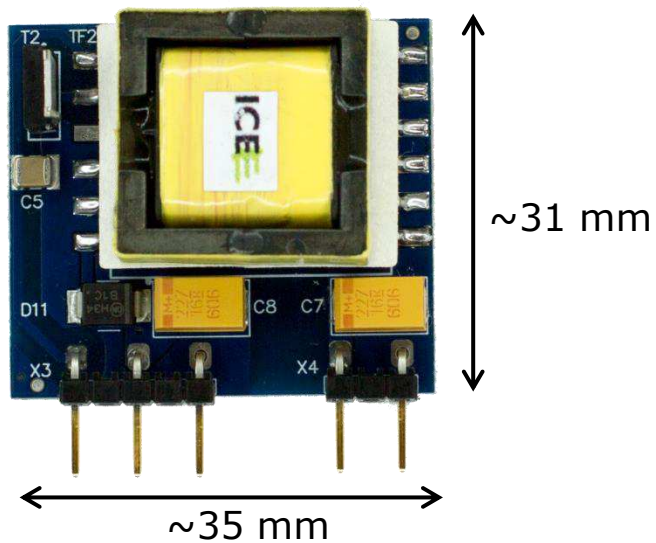


Base board KIT_6W_12V_ICE5



Ordering code:
KIT_6W_12V_ICE5

Auxiliary supply solution featuring off-line SMPS current mode controller IC with an 800 V CoolMOS™ SJ MOSFET





Technical Material

- > Application Notes
- > Simulation Models
- > Datasheets
- > PCB Design Data

> [KIT 6W 12V ICE5](#)

Evaluation Boards

- > Evaluation Boards
- > Demoboards
- > Reference Designs

> www.infineon.com/evaluationboards

Videos

- > Technical Videos
- > Product Information Videos

> www.infineon.com/mediacenter

Support Online tools and services



The screenshot shows the Infineon website header with navigation links: Products, Applications, Tools (highlighted with a red box and number 3), About Infineon, and Careers. On the right, there are links for Newsletter (1), Contact, Where to Buy (2), English, and Login. A search bar is also present. The main content area features a large image of a city skyline at night with the word "Lighting" overlaid. Below the image, there is a text block: "New LED controller enables low-wattage luminaire designs August 26th 17:00 CEST" and a "Register Now!" button. A vertical sidebar on the right contains four numbered items: 1. Subscribe to Newsletter, 2. Where to Buy, 3. Tools, Finders and Selectors, and 4. Support.

- Products
- Applications
- Tools
- Support** (4)
- Technology

- Power
- Automotive System IC
- ESD & EMI
- Microcontroller
- RF & Wireless Control
- Security IC
- Sensor
- Smart Card IC
- Interface
- Transistor & Diode

- Power Overview
- Power MOSFET
- IGBT
- Smart Low-Side & High-Side Switches
- Linear Voltage Regulator
- DC-DC Converter
- LED Driver | Lighting ICs
- Silicon Carbide (SiC)
- High Power Thyristors & Diodes
- Motor Control & Gate Driver
- AC-DC Supply

News & Tweets



Part of your life. Part of tomorrow.

