



Chipsmall Limited consists of a professional team with an average of over 10 year of expertise in the distribution of electronic components. Based in Hongkong, we have already established firm and mutual-benefit business relationships with customers from,Europe,America and south Asia,supplying obsolete and hard-to-find components to meet their specific needs.

With the principle of “Quality Parts,Customers Priority,Honest Operation,and Considerate Service”,our business mainly focus on the distribution of electronic components. Line cards we deal with include Microchip,ALPS,ROHM,Xilinx,Pulse,ON,Everlight and Freescale. Main products comprise IC,Modules,Potentiometer,IC Socket,Relay,Connector.Our parts cover such applications as commercial,industrial, and automotives areas.

We are looking forward to setting up business relationship with you and hope to provide you with the best service and solution. Let us make a better world for our industry!



## Contact us

Tel: +86-755-8981 8866 Fax: +86-755-8427 6832

Email & Skype: info@chipsmall.com Web: www.chipsmall.com

Address: A1208, Overseas Decoration Building, #122 Zhenhua RD., Futian, Shenzhen, China





Analog Solutions—Robust Reliable Performance



# PF3000

## PF Series 12-Channel Configurable PMIC

### Overview

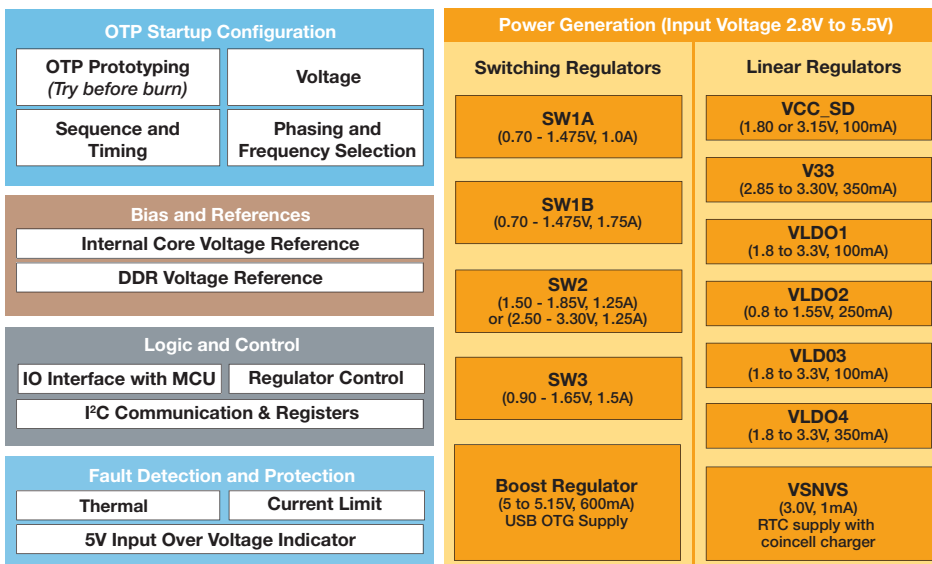
The PF3000 power management integrated circuit (PMIC) features a configurable architecture that supports numerous outputs with various current ratings as well as programmable voltage and sequencing. This enables the PF3000 to power the core processor, external memory and peripherals to provide a single-chip system power solution in multiple applications, reducing design complexity and lowering overall bill of materials. The high-performance architecture offers improved efficiency across the complete output range and delivers advanced functionality for consumer and industrial applications.

The PF3000 is ideally suited to the i.MX 7 and lower-end versions of the i.MX 6 family of applications processors. Our compatibility with i.MX applications processors is shown in multiple reference designs and facilitates software controlled, dynamic voltage scaling. This provides customers with a platform-level solution from a single supplier to enable faster time to market and reduce engineering effort.

### Target Applications

- eReaders
- Navigation
- Human-machine interface
- Home automation
- Industrial EBS
- Point of sale (POS) terminals
- Wearables
- Internet of Things (IoT)
- Portable medical

### PF3000 Functional Internal Block Diagram



Product Longevity



## Product Differentiation

Features	Benefits
4 Buck Converters	High efficiency (>90%), lower power dissipation
6 LDOs, integrated boost regulator for USB + coin cell charger, RTC supply	Supply multiple peripherals, lowering external component count
Forced PFM (Pulse Frequency Modulation), APS (Auto Pulse Skip) or PWM operation	Higher light load efficiency – longer battery standby time
Programmable output voltage, sequence, timing	Ensure scalability across platforms (multiple i.MX applications processors usage)
Quick turn customization (OTP configuration)	Try before buy option, faster time to market
5 V voltage input compatibility	Simplify bill of materials by alleviating the need for a 5 V to 4.5 V converter
I <sup>2</sup> C digital interface for programmability	On the fly voltage scaling for better system efficiency, regulator management for versatility
Preprogrammed versions, optimized for dedicated i.MX applications processors versions	Reduces design efforts since the PMICs are designed for compatibility with the i.MX applications processors
7 x 7 mm QFN power package	Allows 4 layer printed circuit boards (PCBs)

## Features

- 2.8 V to 5.5 V input voltage
- 12-channel, 7.2 A total power delivery
- 4-channel configurable buck converters
- Forced PWM/PFM or APS operation
- 6 user programmable LDOs
- Boost regulator to 5.0 V out for USB, coin cell charger, DDR reference
- Programmable output voltage, current limit, soft-start, FSW, OTP fault interrupt
- High power 7 x 7 mm QFN package
- Consumer, industrial grades available

### PF3000 PMIC Enablement and Documentation

KITPF3000FRDMEVM

- Generic family evaluation and programming platform
- Friendly graphical user interface
- USB interface

### i.MX 7 applications processors + PF3000

Application note: i.MX 7, i.MX 6 schematic + BOM, configuration code example

## Complete Technical Documentation Available

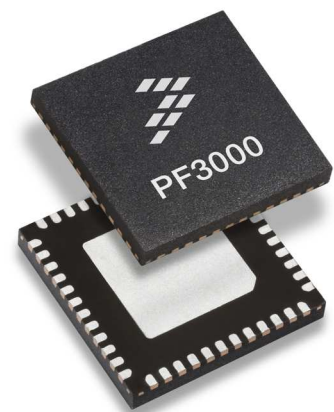
- Datasheets, application notes, EVM content

## Easy to Use Tools

- GUI and evaluation systems available to test efficiency, temp rise, etc.
- Technical and hands-on training available upon request

Part Numbers	Market	Temperature
MC32PF3000	Consumer	0 to 70C°
MC34PF3000	Industrial	-40C° to +85C°

Freescal Document Number	Title	Description
PF3000	PF3000	Data Sheet
SG1002	Analog Product Selector Guide	Selector Guide
SG187	Automotive Product Selector Guide	Selector Guide
SG200	Industrial Product Selector Guide	Selector Guide



For more information visit [freescale.com/PMIC](http://freescale.com/PMIC)

Freescal and the Freescal logo are trademarks of Freescal Semiconductor, Inc., Reg. U.S. Pat. & Tm. Off. All other product or service names are the property of their respective owners. © 2014 Freescal Semiconductor, Inc.

Document Number: PF3000FS REV 1

