



Chipsmall Limited consists of a professional team with an average of over 10 year of expertise in the distribution of electronic components. Based in Hongkong, we have already established firm and mutual-benefit business relationships with customers from,Europe,America and south Asia,supplying obsolete and hard-to-find components to meet their specific needs.

With the principle of “Quality Parts,Customers Priority,Honest Operation,and Considerate Service”,our business mainly focus on the distribution of electronic components. Line cards we deal with include Microchip,ALPS,ROHM,Xilinx,Pulse,ON,Everlight and Freescale. Main products comprise IC,Modules,Potentiometer,IC Socket,Relay,Connector.Our parts cover such applications as commercial,industrial, and automotives areas.

We are looking forward to setting up business relationship with you and hope to provide you with the best service and solution. Let us make a better world for our industry!



## Contact us

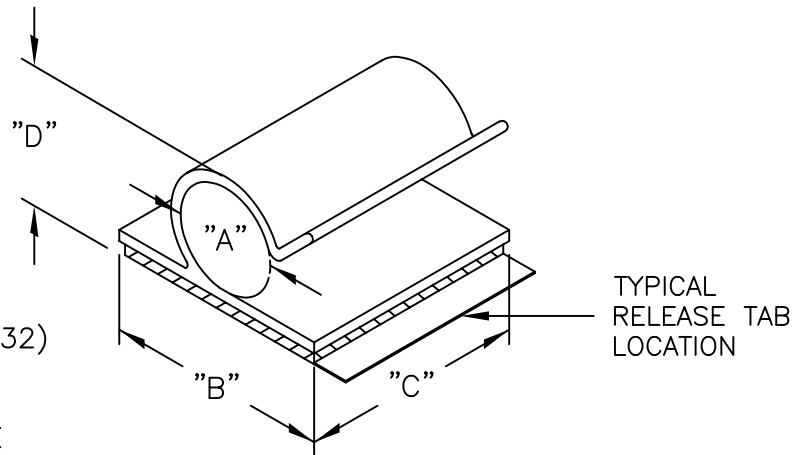
Tel: +86-755-8981 8866 Fax: +86-755-8427 6832

Email & Skype: info@chipsmall.com Web: www.chipsmall.com

Address: A1208, Overseas Decoration Building, #122 Zhenhua RD., Futian, Shenzhen, China




PART NO.	HOLDING CAPACITY "A"	"B" ±.015 (0.4)	"C" ±.02 (0.5)	"D" AT. MAX CAPACITY REF.
KKC-2-RT	1/8 (3.2)	3/4 (19.1)	.750 (19.1)	.31 (7.9)
KKC-3-RT	3/16 (4.8)			.33 (8.4)
KKC-4-RT	1/4 (6.4)			.42 (10.7)
KKC-5-RT	5/16 (7.9)			.48 (12.2)
KKC-6-RT	3/8 (9.5)			.60 (15.2)
KKC-8-RT	1/2 (12.7)	1 (25.4)	1.000 (25.4)	.69 (17.5)
KKC-12-RT	3/4 (19.1)			.94 (23.9)



NOTES:

1. MATERIAL: RIGID PVC (RMS-04).  
ALSO AVAILABLE IN CLEAR PVC (RMS-32)  
BY SPECIAL ORDER.
2. COLOR: GRAY.
3. 1/16" THICK DOUBLE SIDED ADHESIVE  
ACRYLIC TAPE (RMS-15), WHITE LINER.
4. 1/16" THICK DOUBLE SIDED ADHESIVE  
RUBBER TAPE (RMS-102), BLUE LINER.  
BY SPECIAL ORDER ONLY.  
TO ORDER USE P/N: KKC-X-A1-RT.
5. CUSTOM LENGTHS AVAILABLE BY SPECIAL ORDER.

TITLE: KWIK-KLIP, TYPE "C"			DWG IN IN (MM)		FINAL			
D	CHANGED NOTE 1, ADDED NOTE 5	SJ 03.14.02	TOLERANCES UNLESS NOTED .XX=±.020 .XXX=±.015 FRAC=±1/64 ANG=±1°	FILE # KKC	DWN: S.M.	APP:	PART #	
C	CHANGED NOTE 3. AND ADDED NOTE 4.	SM 05.31.01		MAT'L: SEE NOTES	DT: 11/14/00	DT:	SEE TABLE	
B	COMPLETELY RE-DRAWN & CHANGED FILE #	SM 11.14.00		RE: RICHCO, INC.	RICHCO INC. PO BOX 804238, CHICAGO, 60680 (773) 539-4060		PRINT TYPE CA	
A	ADDED NOTES, CORRECTED TAPE THICKNESS TO 1/16"	JK 2.10.00						
REV	DESCRIPTION	ENGR DATE						