



Chipsmall Limited consists of a professional team with an average of over 10 year of expertise in the distribution of electronic components. Based in Hongkong, we have already established firm and mutual-benefit business relationships with customers from,Europe,America and south Asia,supplying obsolete and hard-to-find components to meet their specific needs.

With the principle of “Quality Parts,Customers Priority,Honest Operation,and Considerate Service”,our business mainly focus on the distribution of electronic components. Line cards we deal with include Microchip,ALPS,ROHM,Xilinx,Pulse,ON,Everlight and Freescale. Main products comprise IC,Modules,Potentiometer,IC Socket,Relay,Connector.Our parts cover such applications as commercial,industrial, and automotives areas.

We are looking forward to setting up business relationship with you and hope to provide you with the best service and solution. Let us make a better world for our industry!



Contact us

Tel: +86-755-8981 8866 Fax: +86-755-8427 6832

Email & Skype: info@chipsmall.com Web: www.chipsmall.com

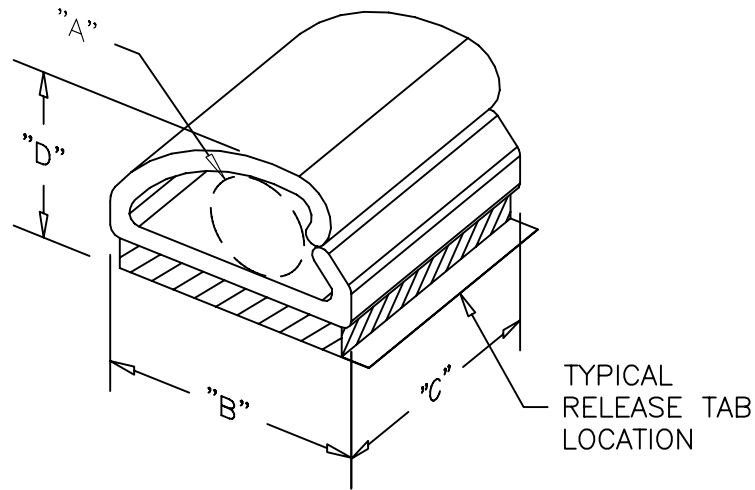
Address: A1208, Overseas Decoration Building, #122 Zhenhua RD., Futian, Shenzhen, China



PART NO.	HOLDING CAPACITY "A"	"B" ±.02 (0.5)	"C" ±.02 (0.5)	"D" AT MAX CAPACITY REF.
KKD-4-RT	.250(6.4)	.50(12.7)	.500(12.7)	.40(10.2)
KKD-8-RT	.500(12.7)	.75(19.1)	.750(19.1)	.73(18.5)
KKD-12-RT	.750(19.1)	1.13(28.2)	1.000(25.4)	1.02(25.9)
KKD-16-RT	1.000(25.4)	1.50(38.1)	1.250(31.8)	1.30(33.0)

NOTES:

- MATERIAL: RIGID PVC (RMS-04)
ALSO AVAILABLE IN CLEAR PVC (RMS-32)
BY SPECIAL ORDER.
- COLOR: GRAY
AVAILABLE IN BLACK BY SPECIAL ORDER ONLY.
TO ORDER USE PART NO. KKD-X-RTBK
- TAPE: 1/16" THICK DOUBLE SIDED
ADHESIVE (RMS-15), WHITE LINER.
- CUSTOM LENGTHS AVAILABLE BY SPECIAL ORDER.



J	SEE ECN #1335 FOR CHANGES	SK 06.14.07
I	CHANGED NOTE 1 & ADDED NOTE 4	SJ 03.14.02
H	DIM "B" WAS "E"	SM 03.07.01
G	CHANGED FILE NO.	S.M.11.17.00
F	.40 WAS .430, .73 WAS .731, 1.02 WAS .959, 1.30 WAS 1.300	S.M.11.08.00
E	ADDED NOTES, CORRECTED TAPE THICKNESS TO 1/16"	JK 2.10.00
D	COMPLETELY REVISED DWG, CHANGED D DIM'S	JK 10.29.99
C	ADDED ±.02 TO "B" DIM, ADDED REF TO "A"	MO 11/3/98
B	"D" AT MAX CAPACITY IS REF	MO 5/5/98
A	FOR KKD-8-RT, .50 "D" WAS .56; "D" IS REF	MO 2/6/98
REV	DESCRIPTION	ENGR DATE

TITLE: KWIK-KLIP, TYPE "D"		DWG IN IN (MM)		FINAL	
FILE #	KKD	DWN: J.B.	APP: F.L.	PART #	
MAT'L:	SEE NOTES	DT: 12-11-95	DT: 10-29-99	SEE CHART	
RE:	RICHCO INC.	RICHCO INC. PO BOX 804238, CHICAGO, 60680 (773) 539-4060		PRINT TYPE CA	