



Chipsmall Limited consists of a professional team with an average of over 10 year of expertise in the distribution of electronic components. Based in Hongkong, we have already established firm and mutual-benefit business relationships with customers from,Europe,America and south Asia,supplying obsolete and hard-to-find components to meet their specific needs.

With the principle of “Quality Parts,Customers Priority,Honest Operation,and Considerate Service”,our business mainly focus on the distribution of electronic components. Line cards we deal with include Microchip,ALPS,ROHM,Xilinx,Pulse,ON,Everlight and Freescale. Main products comprise IC,Modules,Potentiometer,IC Socket,Relay,Connector.Our parts cover such applications as commercial,industrial, and automotives areas.

We are looking forward to setting up business relationship with you and hope to provide you with the best service and solution. Let us make a better world for our industry!



Contact us

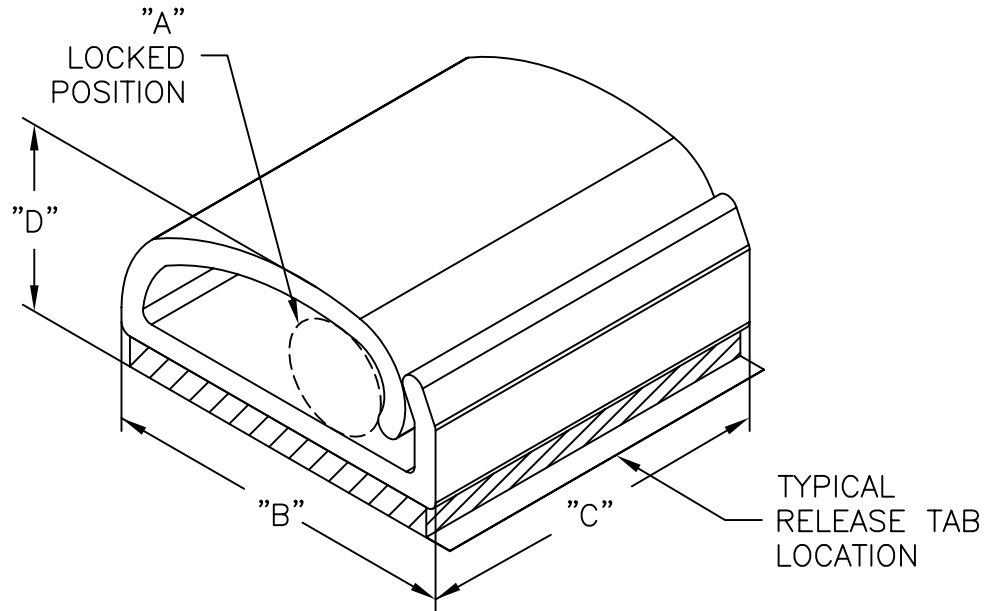
Tel: +86-755-8981 8866 Fax: +86-755-8427 6832

Email & Skype: info@chipsmall.com Web: www.chipsmall.com

Address: A1208, Overseas Decoration Building, #122 Zhenhua RD., Futian, Shenzhen, China



PART NO.	HOLDING CAPACITY "A"	"B" ±.015 (0.4)	"C" ±.02 (0.5)	"D" AT MAX. CAPACITY REF.
KKDL-4-RT	1/8 (3.2)	1/2 (12.7)	1/2 (12.7)	.28 (7.1)
KKDL-8-RT	7/32 (5.6)	3/4 (19.1)	3/4 (19.1)	.43 (10.9)



NOTES:

- MATERIAL: RIGID PVC (RMS-04)
ALSO AVAILABLE IN CLEAR PVC (RMS-32)
BY SPECIAL ORDER.
- COLOR: GRAY
- TAPE: 1/16" THICK DOUBLE SIDED
ADHESIVE (RMS-15), WHITE LINER.
- CUSTOM LENGTHS AVAILABLE BY SPECIAL ORDER.

TITLE: KWIK-KLIP, TYPE "DL"		DWG IN IN (MM)		FINAL			
D	CHANGED NOTE 1 & ADDED NOTE 4	SJ 03.14.02	TOLERANCES UNLESS NOTED	FILE #	KKDL	DWN: S.M.	APP:
C	COMPLETELY RE-DRAWN & CHANGED FILE #	S.M. 01.04.01	.XX=±.020	MAT'L:	SEE NOTE	DT: 01/05/01	DT:
B	ADDED NOTES, CORRECTED TAPE THICKNESS TO 1/16"	JK 2.10.00	.XXX=±.015	RE:	RICHCO, INC.	RICHCO INC. PO BOX 804238, CHICAGO, 60680 (773) 539-4060	
A	KKDL-4 ADDED	JP 12.03.97	FRAC=±1/64			PART # SEE CHART	
REV	DESCRIPTION	ENGR DATE	ANG=±1'			PRINT TYPE CA	