



Chipsmall Limited consists of a professional team with an average of over 10 year of expertise in the distribution of electronic components. Based in Hongkong, we have already established firm and mutual-benefit business relationships with customers from,Europe,America and south Asia,supplying obsolete and hard-to-find components to meet their specific needs.

With the principle of "Quality Parts,Customers Priority,Honest Operation,and Considerate Service",our business mainly focus on the distribution of electronic components. Line cards we deal with include Microchip,ALPS,ROHM,Xilinx,Pulse,ON,Everlight and Freescale. Main products comprise IC,Modules,Potentiometer,IC Socket,Relay,Connector.Our parts cover such applications as commercial,industrial, and automotives areas.

We are looking forward to setting up business relationship with you and hope to provide you with the best service and solution. Let us make a better world for our industry!



## Contact us

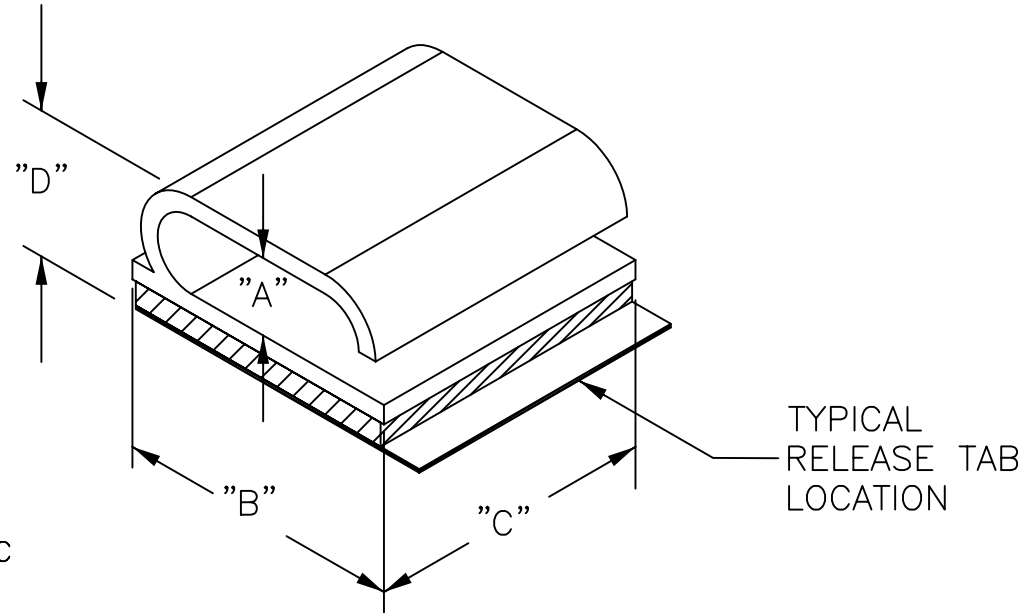
Tel: +86-755-8981 8866 Fax: +86-755-8427 6832

Email & Skype: info@chipsmall.com Web: www.chipsmall.com

Address: A1208, Overseas Decoration Building, #122 Zhenhua RD., Futian, Shenzhen, China



PART NO.	HOLDING CAPACITY "A"	"B"±.015 (0.4)	"C"±.02 (0.5)	"D" AT MAX CAPACITY REF.
KKF-10X4-RT	.20 X .56 (5.1 X 14.3)	.750 (19.1)	.750 (19.1)	.36 (9.1)



- NOTES:
- MAT'L: RIGID PVC (RMS-04). ALSO AVAILABLE IN CLEAR PVC (RMS-32) BY SPECIAL ORDER
  - COLOR: GRAY
  - TAPE: 1/16" THICK DOUBLE SIDED ADHESIVE (RMS-15).
  - CUSTOM LENGTHS AVAILABLE BY SPECIAL ORDER.

D CHANGED NOTE 1 & ADDED NOTE 4 SJ 03.18.02			TITLE: KWIK-KLIP, TYPE "F", SIZE 10X4			DWG IN IN (MM)		FINAL		QR	
C COMPLETELY RE-DRAWN & CHANGED FILE # S.M.11.28.00			TOLERANCES UNLESS NOTED .XX=.020 .XXX=.015 FRAC=1/64 ANG=1°			FILE # KKF		DWN: S.M.		APP:	
B ADDED NOTES, CORRECTED TAPE THICKNESS TO 1/16" JK 2.10.00			MAT'L: SEE NOTE			DT: 11/28/00		DT:		PART #	
A COMPLETELY CORRECTED AND REVISED PRINT JK 11.17.99			RE: RICHCO, INC.			RICHCO INC.		PO BOX 804238, CHICAGO, 60680		SEE TABLE	
REV DESCRIPTION ENGR DATE						(773) 539-4060				PRINT TYPE CA	