



Chipsmall Limited consists of a professional team with an average of over 10 year of expertise in the distribution of electronic components. Based in Hongkong, we have already established firm and mutual-benefit business relationships with customers from,Europe,America and south Asia,supplying obsolete and hard-to-find components to meet their specific needs.

With the principle of “Quality Parts,Customers Priority,Honest Operation,and Considerate Service”,our business mainly focus on the distribution of electronic components. Line cards we deal with include Microchip,ALPS,ROHM,Xilinx,Pulse,ON,Everlight and Freescale. Main products comprise IC,Modules,Potentiometer,IC Socket,Relay,Connector.Our parts cover such applications as commercial,industrial, and automotives areas.

We are looking forward to setting up business relationship with you and hope to provide you with the best service and solution. Let us make a better world for our industry!



Contact us

Tel: +86-755-8981 8866 Fax: +86-755-8427 6832

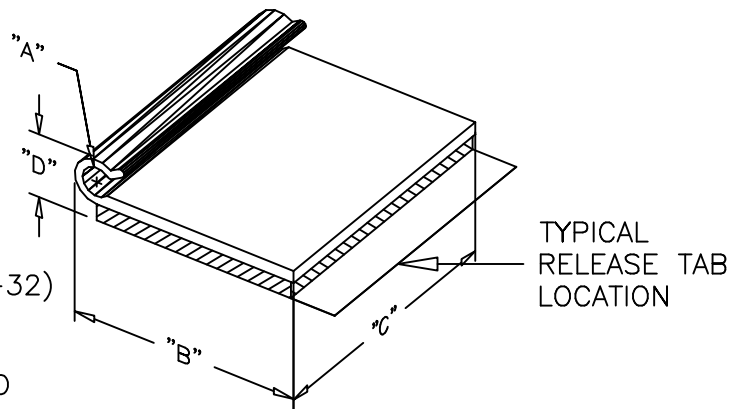
Email & Skype: info@chipsmall.com Web: www.chipsmall.com

Address: A1208, Overseas Decoration Building, #122 Zhenhua RD., Futian, Shenzhen, China



PART NO.	HOLDING CAPACITY "A"	"B" ±.015 (0.4)	"C" ±.02(0.5)	"D" AT MAX CAPACITY REF.
KKJ-2-RT	1/8 (3.2)	27/32 (21.4)	1 (25.4)	1/4 (6.4)
KKJ-3-RT	3/16 (4.8)	7/8 (22.2)	1-1/4 (31.8)	5/16 (7.9)
KKJ-4-RT	1/4 (6.4)	29/32 (23.0)	1-1/2 (38.1)	13/32 (10.3)
KKJ-5-RT	5/16 (7.9)	1-7/32 (31.0)	1-3/4 (44.5)	7/16 (11.1)
KKJ-6-RT	3/8 (9.5)	1-9/32 (32.5)	2 (50.8)	17/32 (13.5)

AVAILABLE BY SPECIAL ORDER ONLY



NOTES:

1. MATERIAL: RIGID OVC (RMS-04). ALSO AVAILABLE IN CLEAR PVC (RMS-32) BY SPECIAL ORDER.
2. COLOR: GRAY.
3. TAPE: 1/16 (1.6)THICK DOUBLE SIDED ADHESIVE (RMS-15), WHITE LINER
4. CUSTOM LENGTHS AVAILABLE BY SPECIAL ORDER.
5. PARTS ALSO AVAILABLE WITHOUT THE ADHESIVE BY SPECIAL ORDER. TO ORDER REMOVE "-RT" FROM THE PART NO.

G	SEE CO 200604 FOR CHANGES	SK 12.01.10	TITLE: KWIK KLIP, TYPE "J"	DWG IN IN(MM)			
F	SEE CO 200132 FOR CHANGES	SK 02.25.08					
E	SEE CO 200035 FOR CHANGES	SK 09.26.07					
D	CHANGED NOTE 1 & ADDED NOTE 4	SJ .03.18.02					
C	COMPLETELY RE-DRAWN & CHANGED FILE #	S.M.11.20.00					
		TOLERANCES UNLESS NOTED .XX=.020 .XXX=.015 FRAC=1/64 ANG=1°	FILE # KKJ	DWN: S.M.	APP:	FINAL	
B	ADDED NOTES, CORRECTED TAPE THICKNESS TO 1/16"	JK 2.10.00	MAT'L: SEE NOTE	DT: 11/20/00	DT:	PART #	
A	TABLE CHANGED PER CATALOG VER. 25	J.L. 9.15.99	RE: RICHCO, INC.	RICHCO INC. PO BOX 804238, CHICAGO, 60680 (773) 539-4060		SEE TABLE	PRINT TYPE
REV	DESCRIPTION	ENGR DATE					CA