



Chipsmall Limited consists of a professional team with an average of over 10 year of expertise in the distribution of electronic components. Based in Hongkong, we have already established firm and mutual-benefit business relationships with customers from,Europe,America and south Asia,supplying obsolete and hard-to-find components to meet their specific needs.

With the principle of “Quality Parts,Customers Priority,Honest Operation,and Considerate Service”,our business mainly focus on the distribution of electronic components. Line cards we deal with include Microchip,ALPS,ROHM,Xilinx,Pulse,ON,Everlight and Freescale. Main products comprise IC,Modules,Potentiometer,IC Socket,Relay,Connector.Our parts cover such applications as commercial,industrial, and automotives areas.

We are looking forward to setting up business relationship with you and hope to provide you with the best service and solution. Let us make a better world for our industry!



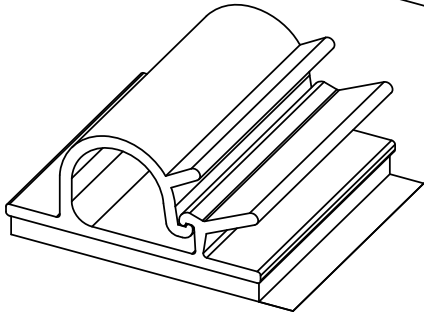
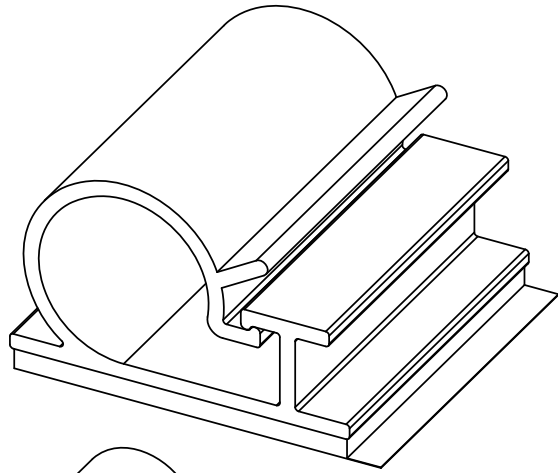
Contact us

Tel: +86-755-8981 8866 Fax: +86-755-8427 6832

Email & Skype: info@chipsmall.com Web: www.chipsmall.com

Address: A1208, Overseas Decoration Building, #122 Zhenhua RD., Futian, Shenzhen, China





| PART NO. | "A" HOLDING CAPACITY | "B" | "C"±.020 | "D" REF AT MAX. CAPACITY | FIG NO. |
|-----------|----------------------|------------------|------------|--------------------------|---------|
| KKL-4-RT | 1/4 [6.4] | .750±.015 [19.7] | 3/4 [19.7] | .38 [9.6] | 1 |
| KKL-8-RT | 1/2 [12.7] | 1.00±.02 [25.4] | 1 [25.4] | .69 [17.4] | 2 |
| KKL-12-RT | 3/4 [19.1] | | | .92 [23.5] | |

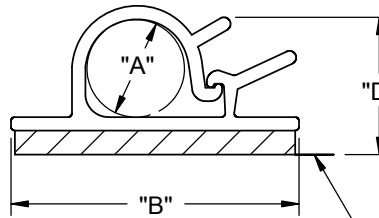
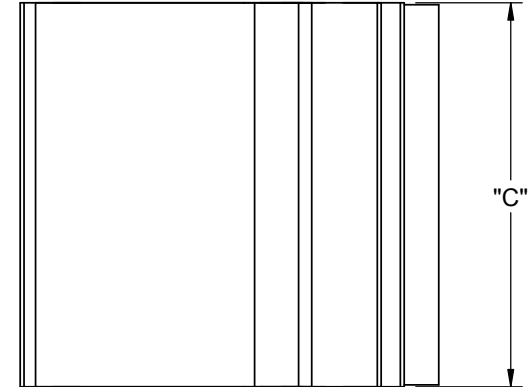
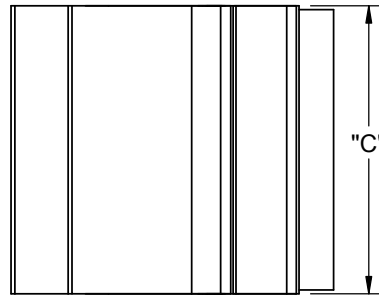


FIG 1.

TYPICAL RELEASE TAB LOCATION

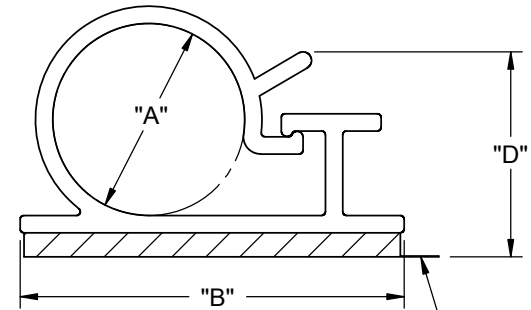


FIG 2.

TYPICAL RELEASE TAB LOCATION

NOTES:

1. MATERIAL: RIGID PVC (RMS-04)
ALSO AVAILABLE IN CLEAR PVC (RMS-32), BY SPECIAL ORDER.
2. COLOR: GRAY.
3. TAPE: 1/16 [1.6] THICK, DOUBLE SIDED ADHESIVE (RMS-15), WHITE LINER.
4. CUSTOM LENGTHS AVAILABLE BY SPECIAL ORDER.
5. COLOR BLACK AVAILABLE BY SPECIAL ORDER ONLY.
TO ORDER ADD SUFFIX "-BK" TO THE PART NO.

| REV. | | | TITLE: KWIK-KLIP, TYPE "L" | | | | DWG IN IN [MM] | | FINAL | |
|-------------|-----------------------------|---------------|-----------------------------|--|---|---------|----------------|------------|-------|--|
| J | SEE CO 200769 FOR CHANGES | SK 04/04/2012 | FILE #: KKL | | DWN: S.M. | APP: - | | PART # | | |
| I | SEE CO 200522 FOR CHANGES | SK 04/21/10 | SHEET: 1 OF 1 SHEET SIZE: A | | DT: 11/28/00 | CHKD: - | | PRINT TYPE | | |
| H | SEE CO 200394 FOR CHANGES | SK 07/23/09 | RE: RICHCO, INC. | | RICHCO, INC. | | SEE TABLE | | CA | |
| G | SEE CO 200197 FOR CHANGES | SK 06/03/08 | | | ENG@RICHCO-INC.COM | | | | | |
| - | SEE ENGINEERING FOR REV A-F | --- | | | (773) 539-4060 | | | | | |
| DESCRIPTION | | | ENGR. DATE | | TOLERANCES UNLESS NOTED .XX=±.020 .XXX=±.015 FRAC.=±1/32 ANG.=±3° | | | | | |