



Chipsmall Limited consists of a professional team with an average of over 10 year of expertise in the distribution of electronic components. Based in Hongkong, we have already established firm and mutual-benefit business relationships with customers from,Europe,America and south Asia,supplying obsolete and hard-to-find components to meet their specific needs.

With the principle of “Quality Parts,Customers Priority,Honest Operation,and Considerate Service”,our business mainly focus on the distribution of electronic components. Line cards we deal with include Microchip,ALPS,ROHM,Xilinx,Pulse,ON,Everlight and Freescale. Main products comprise IC,Modules,Potentiometer,IC Socket,Relay,Connector.Our parts cover such applications as commercial,industrial, and automotives areas.

We are looking forward to setting up business relationship with you and hope to provide you with the best service and solution. Let us make a better world for our industry!



Contact us

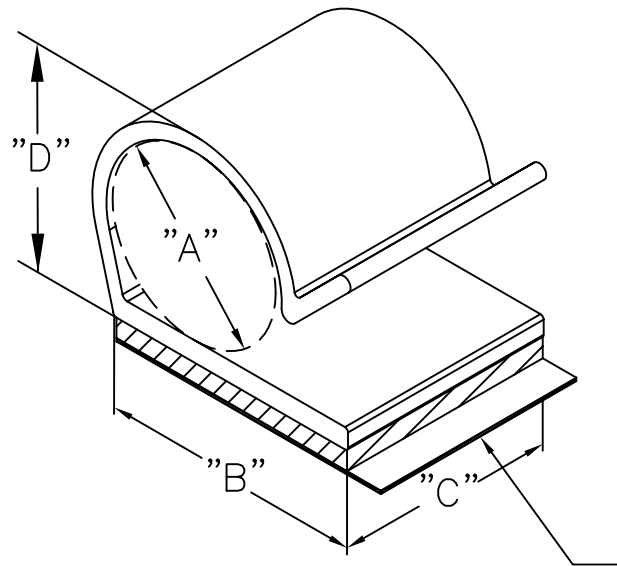
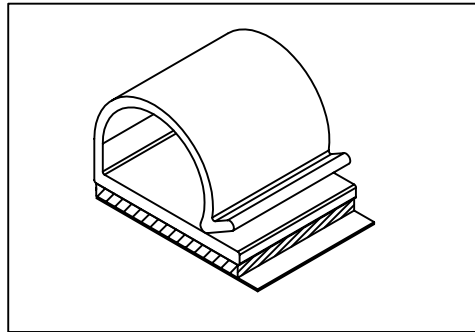
Tel: +86-755-8981 8866 Fax: +86-755-8427 6832

Email & Skype: info@chipsmall.com Web: www.chipsmall.com

Address: A1208, Overseas Decoration Building, #122 Zhenhua RD., Futian, Shenzhen, China



PART NO.	HOLDING CAPACITY "A"	"B" ±.020 (0.5)	"C" ±.02 (0.5)	"D" AT. MAX CAPACITY REF.	DOUBLE SIDED ADHESIVE TAPE 1/16" THICK.
KKR-5A1-RT	.521 (13.2)	.750 (19.1)	.625 (15.9)	.680 (17.3)	RUBBER (RMS-102)



TYPICAL RELEASE TAB LOCATION

NOTES:

1. MATERIAL: RIGID PVC (RMS-04). ALSO AVAILABLE IN CLEAR PVC (RMS-32) BY SPECIAL ORDER.
2. COLOR: GRAY.
3. 1/16" (1.6) THICK RUBBER ADHESIVE TAPE (RMS-102), BLUE LINER.
4. CUSTOM LENGTHS AVAILABLE BY SPECIAL ORDER.

I	SEE ECN # 1235 FOR CHANGES	SK 10.17.06								
H	CHANGED NOTE 1, ADDED NOTES 3 & 4.	SJ 03.18.02								
G	REMOVED KKR-5A-RT	DLC 11.01.01	TITLE: KWIK-KLIP, TYPE "R"							DWG IN IN (MM)
F	COMPLETELY RE-DRAWN	SM 07.23.01								
E	INCREASED HEIGHT "D"	DLC 7/10/01	TOLERANCES UNLESS NOTED				FINAL			
D	INCREASED LENGTH OF ENTRY LIP	DLC 4/30/01	FILE # KKR				DWN: S.M.		DT: 01/22/01	
C	RELEASED TO PRODUCTION	SM 04.17.01	MAT'L: SEE NOTES				CHKD:		ENG:	
B	CHANGED P/N TO ...-5A AND ...-5A1	SM 04.17.01	RE: RICHCO, INC.				RICHCO INC.		PART #	
A	DIM. "B" WAS .780 (19.8)	SM 03.07.01	.XX=±.020 .XXX=±.015 FRAC=±1/32 ANG=±1°				ENG@RICHCO-INC.COM (773) 539-4060		KKR-5A1-RT	
REV	DESCRIPTION	ENGR DATE							PRINT TYPE CA	