



Chipsmall Limited consists of a professional team with an average of over 10 year of expertise in the distribution of electronic components. Based in Hongkong, we have already established firm and mutual-benefit business relationships with customers from,Europe,America and south Asia,supplying obsolete and hard-to-find components to meet their specific needs.

With the principle of “Quality Parts,Customers Priority,Honest Operation,and Considerate Service”,our business mainly focus on the distribution of electronic components. Line cards we deal with include Microchip,ALPS,ROHM,Xilinx,Pulse,ON,Everlight and Freescale. Main products comprise IC,Modules,Potentiometer,IC Socket,Relay,Connector.Our parts cover such applications as commercial,industrial, and automotives areas.

We are looking forward to setting up business relationship with you and hope to provide you with the best service and solution. Let us make a better world for our industry!



## Contact us

Tel: +86-755-8981 8866 Fax: +86-755-8427 6832

Email & Skype: info@chipsmall.com Web: www.chipsmall.com

Address: A1208, Overseas Decoration Building, #122 Zhenhua RD., Futian, Shenzhen, China



## KL5BVCX400WMP VoC

## Video over Coax

### ■ GENERAL DESCRIPTION

Simplify the migration of analog cameras to IP cameras using our advanced VoC (Video over Coax) and CPoC (Camera Power over Coax) technologies.

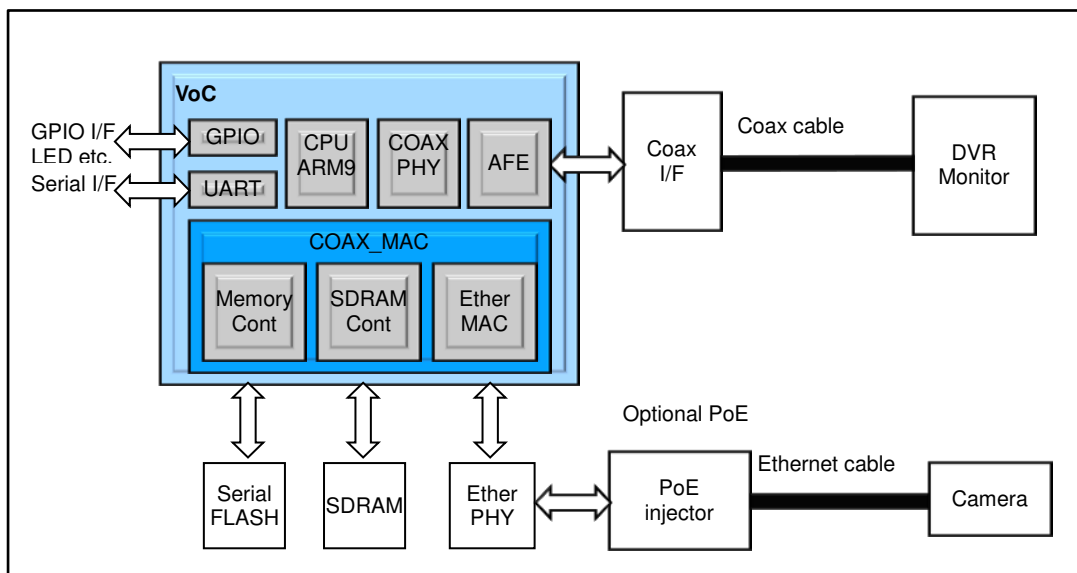
The BlueChip-VoC and CPoC bridges enable fast and easy upgrades from analog to IP cameras, by utilizing existing coax cable, eliminating the need to add new Ethernet cable or remove the old coax cable. The high bandwidth of the VoC technology enables multiple HD streams to be transmitted over the cable and offers support for 20 IP cameras depending on resolution and distance.

Installation is simple and cameras can easily be dynamically added and/or removed without affecting the rest of the system. For systems utilizing the CPoC features, there is no need to provide additional power to the cameras so no external power supply is required for up to 40 Watts of power at 500M. The VoC can also be configured to provide PoE or 12V DC power to a camera.

### ■ FEATURES

- Support for over 20 IP cameras over a single coax cable
- PoE Support to power camera
- CPoC support to send power of coax (40W @ 500M)
- Long range up to 2KM @30Mbps
- Easy to dynamically add and remove cameras
- Maximum PHY rate: 240Mbps
- Low Power consumption:
  - 0.4W @full operation
  - 0.07W @power save mode
- QoS Support for high definition AV
- 128-bit AES for secure communications
- Industrial temp range (-40 to 85°C)

### ■ BLOCK DIAGRAM



MegaChips Corporation			MegaChips Technology America Corporation
Corporate Headquarters Shin-Osaka Hankyu Building 1-1-1 Miyahara, Yodogawa-ku Osaka 532-0003, Japan	Makuhari Office 1-3, Nakase, Mihama-ku, Chiba 261-8501, Japan	Tokyo Office 17-6 Ichibancho, Chiyoda-ku, Tokyo 102-0082, Japan	2033 Gateway Place, Suite 400, San Jose, CA 95110, USA
Tel +81-6-6399-2884 Fax +81-6-6399-2886	Tel +81-43-296-7414 Fax +81-43-296-3285	Tel: +81-3-3512-5083 Fax: +81-3-3262-3358	Tel: +1 (408) 570-0555 Fax: +1 (408) 570-0567 E-mail: <a href="mailto:info@megachips.us">info@megachips.us</a>
<a href="http://www.megachips.co.jp">www.megachips.co.jp</a>			<a href="http://www.megachips.us">www.megachips.us</a>