



Chipsmall Limited consists of a professional team with an average of over 10 year of expertise in the distribution of electronic components. Based in Hongkong, we have already established firm and mutual-benefit business relationships with customers from,Europe,America and south Asia,supplying obsolete and hard-to-find components to meet their specific needs.

With the principle of “Quality Parts,Customers Priority,Honest Operation,and Considerate Service”,our business mainly focus on the distribution of electronic components. Line cards we deal with include Microchip,ALPS,ROHM,Xilinx,Pulse,ON,Everlight and Freescale. Main products comprise IC,Modules,Potentiometer,IC Socket,Relay,Connector.Our parts cover such applications as commercial,industrial, and automotives areas.

We are looking forward to setting up business relationship with you and hope to provide you with the best service and solution. Let us make a better world for our industry!



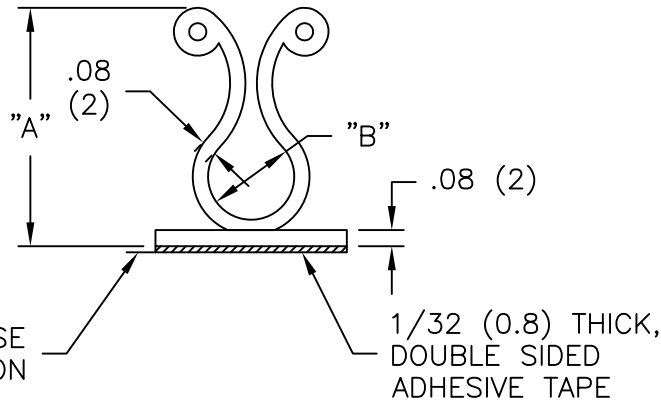
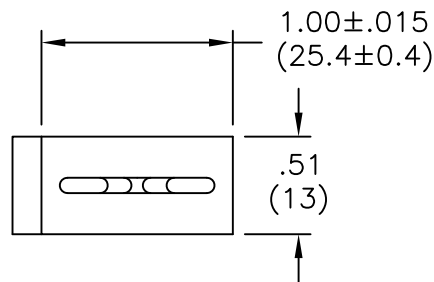
Contact us

Tel: +86-755-8981 8866 Fax: +86-755-8427 6832

Email & Skype: info@chipsmall.com Web: www.chipsmall.com

Address: A1208, Overseas Decoration Building, #122 Zhenhua RD., Futian, Shenzhen, China





TYPICAL RELEASE
TAB LOCATION

| PART NO. W/ADHESIVE | "A" REF. | "B" BUNDLE DIA. RANGE |
|------------------------|-------------|--------------------------|
| KLB-350A-RT | 1.07 (27.2) | .30-.40 (7.6-10.1) |
| KLB-450A-RT | 1.23 (31.2) | .40-.50 (10.1-12.7) |
| KLB-750A-RT | 1.58 (40.1) | .70-.80 (17.8-20.3) |

NOTES:

1. MATERIAL: NYLON 6/6 (RMS-01).
FLAME RETARDANT, NYLON (RMS-19),
AVAILABLE BY SPECIAL ORDER ONLY.
2. COLOR: NATURAL.
3. ACRYLIC ADHESIVE TAPE (RMS-15), WHITE LINER.
RUBBER ADHESIVE TAPE (RMS-102), BLUE LINER,
AVAILABLE BY SPECIAL ORDER ONLY.
TO ORDER USE KLB-XXXA1-RT.
PARTS ALSO AVAILABLE WITHOUT ADHESIVE.
TO ORDER USE PART NO. KLB-XXX-01/KLB-XXX-19

| | | | | | | | | |
|--|--|--|---|--|-------------------------------|----------------|------------|--|
| F SE CO 200525 FOR CHANGES SK 04.26.10 | | | TITLE: KURLY-LOK ON BASE | | | DWG IN IN (MM) | | |
| E SE CO 200118 FOR CHANGES SK 01.30.08 | | | FILE # KLB | | DWN: J.B. | | FINAL | |
| D SEE CO 200112 FOR CHANGES SK 01.24.08 | | | MAT'L: SEE NOTES | | DT: 01-23-96 | | PART # | |
| C ADDED RUBBER ADHESIVE BY SPECIAL ORDER SM 05.17.02 | | | RE: RICHCO, INC. | | RICHCO INC. | | SEE TABLE | |
| B ADDED NOTE 3. SJ 03.05.02 | | | | | PO BOX 804238, CHICAGO, 60680 | | PRINT TYPE | |
| A CHANGED FILE NUMBER SM 05.31.01 | | | | | (773) 539-4060 | | CA | |
| REV DESCRIPTION ENGR DATE | | | TOLERANCES UNLESS NOTED .XX=±.010 .XXX=±.005 FRAC=±1/64 ANG=±1° | | | | | |