



Chipsmall Limited consists of a professional team with an average of over 10 year of expertise in the distribution of electronic components. Based in Hongkong, we have already established firm and mutual-benefit business relationships with customers from,Europe,America and south Asia,supplying obsolete and hard-to-find components to meet their specific needs.

With the principle of "Quality Parts,Customers Priority,Honest Operation,and Considerate Service",our business mainly focus on the distribution of electronic components. Line cards we deal with include Microchip,ALPS,ROHM,Xilinx,Pulse,ON,Everlight and Freescale. Main products comprise IC,Modules,Potentiometer,IC Socket,Relay,Connector.Our parts cover such applications as commercial,industrial, and automotives areas.

We are looking forward to setting up business relationship with you and hope to provide you with the best service and solution. Let us make a better world for our industry!



Contact us

Tel: +86-755-8981 8866 Fax: +86-755-8427 6832

Email & Skype: info@chipsmall.com Web: www.chipsmall.com

Address: A1208, Overseas Decoration Building, #122 Zhenhua RD., Futian, Shenzhen, China



KLT30F Series

30 WATT, Universal Input Open Frame Switching Power Supply



FEATURES

- ✔ TRIPLE OUTPUTS
- ✔ LOW COST
- ✔ OPEN FRAME
- ✔ UNIVERSAL INPUT
- ✔ OVERVOLTAGE PROTECTION
- ✔ OVERCURRENT PROTECTION
- ✔ COMPACT, LOW-PROFILE PACKAGES
- ✔ 3 YEAR WARRANTY
- ✔ OPTIONAL CHASSIS AND COVER

SAFETIES/APPROVALS

UL60950
CSA C22.2 No. 60950(cUL)
CE EN60950 3rd Edition (LVD)

ELECTRICAL SPECIFICATIONS

All specifications are typical at nominal input, full load

INPUT SPECIFICATIONS

Input Voltage.....85 ~ 264VAC
Input Frequency.....47 ~ 63Hz
Input Current.....0.8A Typ.
Inrush Current.....15A

OUTPUT SPECIFICATIONS

Output VoltageSee Chart
Efficiency.....70% Typ.
Over-Voltage Protection.....CH1 only. Zener Limiter
Over-Current Protection.....Automatic Recovery
Ripple and Noise.....See Chart
Hold-Up Time.....20 mS
Load Regulation.....**CH1** – 100mV
 CH2, CH3 – 120mV
Rise Time.....100mS
Leakage Current**100V** – 0.5mArms
 230V – 0.75mArms
Drift (8H, after 1H).....0.5% +15 mV

GENERAL SPECIFICATIONS

Isolation Voltage
Primary to Secondary.....3000VAC
Primary to Case.....1500VAC
Secondary to Case.....500VAC
Isolation Resistance.....100 M-Ohms min.

ENVIRONMENTAL SPECIFICATIONS

Operating Temperature0°C ~ +60°C
Cooling.....Convection
Temperature Coefficient.....0.02% / °C
Humidity.....20 ~ 85%Rh (non-condensing)
Storage Temperature.....-20°C ~ +85°C
Shock Vibration.....Shock: 20G(3 Directions each 3 times)
 Vibration: 10 ~ 55Hz

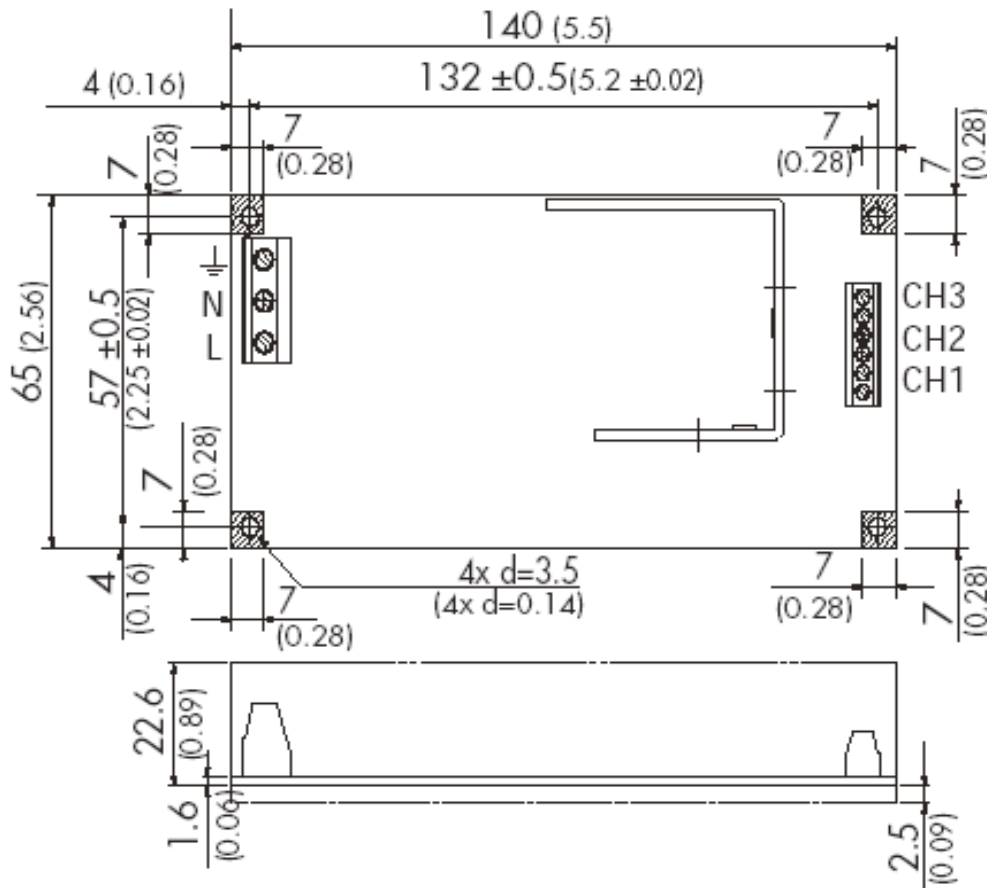
PHYSICAL SPECIFICATIONS

Open Frame

MODEL	OUTPUT 1		OUTPUT 2		OUTPUT 3		Ripple & Noise (mVp-p)
KLT30F-0522	+5V	4.0A	+12V	1.2A	-12V	0.5A	150mVp-p
KLT30F-0533	+5V	4.0A	+15V	1.0A	-15V	0.5A	150mVp-p

MAX POWER NOT TO EXCEED 15WATTS

KLT30F



Note:

- **Phoenix connector shown. JST and Molex connectors available.**
- Measurements in millimeter (mm) unless otherwise specified
- Tolerance ± 1mm

NOTE:

All specifications typical and nominal / full load and 25°C unless otherwise noted.
 Avoid sustained operation in overload or dead short conditions.
 Specifications subject to changes without notice.