



Chipsmall Limited consists of a professional team with an average of over 10 year of expertise in the distribution of electronic components. Based in Hongkong, we have already established firm and mutual-benefit business relationships with customers from,Europe,America and south Asia,supplying obsolete and hard-to-find components to meet their specific needs.

With the principle of "Quality Parts,Customers Priority,Honest Operation,and Considerate Service",our business mainly focus on the distribution of electronic components. Line cards we deal with include Microchip,ALPS,ROHM,Xilinx,Pulse,ON,Everlight and Freescale. Main products comprise IC,Modules,Potentiometer,IC Socket,Relay,Connector.Our parts cover such applications as commercial,industrial, and automotives areas.

We are looking forward to setting up business relationship with you and hope to provide you with the best service and solution. Let us make a better world for our industry!



Contact us

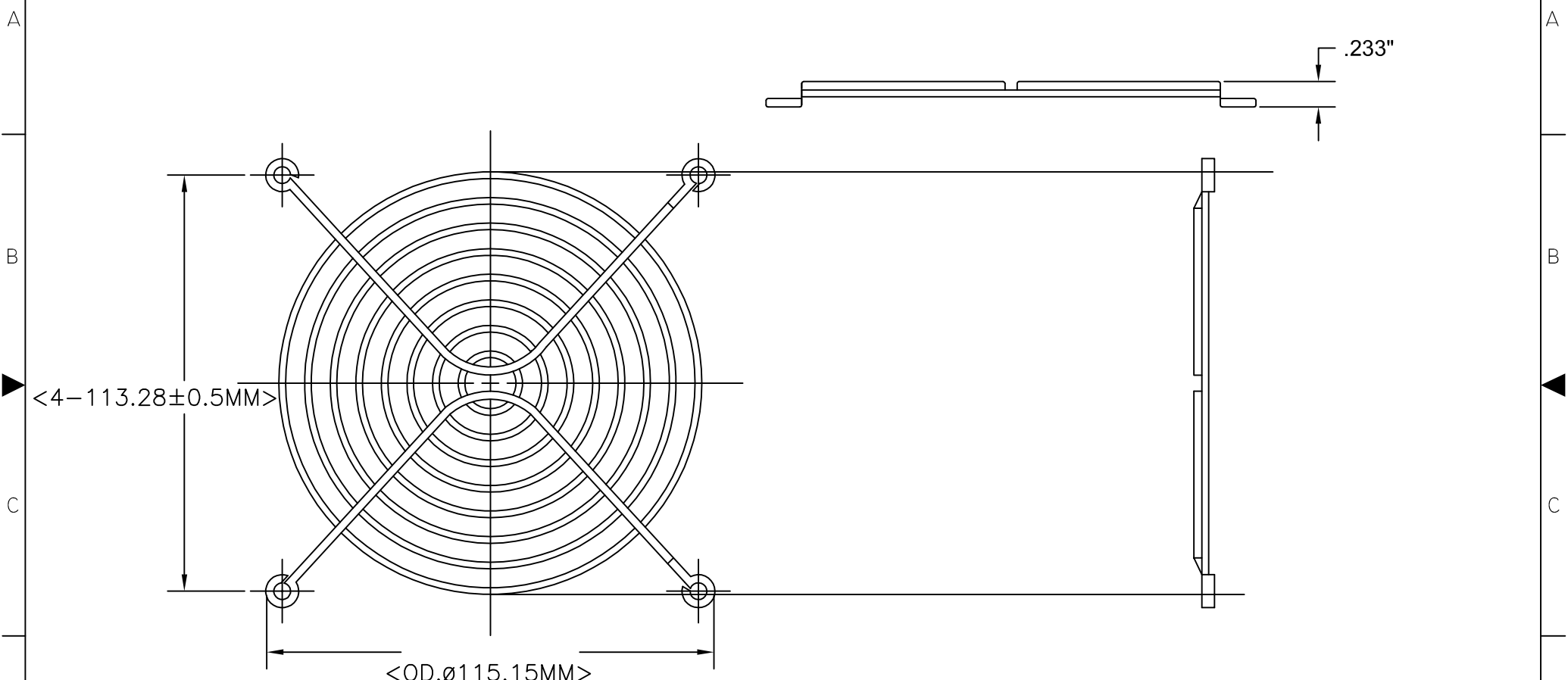
Tel: +86-755-8981 8866 Fax: +86-755-8427 6832

Email & Skype: info@chipsmall.com Web: www.chipsmall.com

Address: A1208, Overseas Decoration Building, #122 Zhenhua RD., Futian, Shenzhen, China



REV	DATE	DESCRIPTION	APPROVAL	REF:
0	23-JUN-99	ORIGINAL RELEASE		EC9925-02
A	7-MAR-03	REMOVE: *PLASTIC OR ABS UL94V-0* FROM NOTE.		



MAT'L:
 WIRE, STEEL C1008 ELECTROPLATED BRIGHT NICKEL CHROME, CLEAR ZINC, ELECTRO
 DEPOSIT. PLATING THICKNESS = .0005" MIN.

WELD JOINTS TO WITHSTAND MIN. 70LBS. SEPARATION FORCE TO MEET UL/CSA
 STANDARDS. CONFORMS TO U.L.Ø1/4" PLUG GAGE TEST

UNLESS NOTED:
 TOLERANCES SHALL BE
 .X = 0.300
 .XX = 0.150
 .XXX = 0.075
 ANGULAR = 0.200

THIS DRAWING IS THE PROPERTY OF
 SANYO DENKI AMERICA, INC. AND SHALL
 BE DEEMED AS PROPRIETARY
 INFORMATION. USE OF ANY INFORMATION
 CONTAINED HEREIN SHALL BE PROHIBITED
 WITHOUT WRITTEN PERMISSION OF SANYO
 DENKI AMERICA, INC.

SANYO DENKI AMERICA
TORRANCE, CALIFORNIA
 DWG NO: KM-127

SCALE: NONE	REV: A
DRAWN BY: TY	DATE: 17-MAR-03
APPROVED: TY	DATE: 17-MAR-03
APPROVED:	DATE: