



Chipsmall Limited consists of a professional team with an average of over 10 year of expertise in the distribution of electronic components. Based in Hongkong, we have already established firm and mutual-benefit business relationships with customers from,Europe,America and south Asia,supplying obsolete and hard-to-find components to meet their specific needs.

With the principle of “Quality Parts,Customers Priority,Honest Operation,and Considerate Service”,our business mainly focus on the distribution of electronic components. Line cards we deal with include Microchip,ALPS,ROHM,Xilinx,Pulse,ON,Everlight and Freescale. Main products comprise IC,Modules,Potentiometer,IC Socket,Relay,Connector.Our parts cover such applications as commercial,industrial, and automotives areas.

We are looking forward to setting up business relationship with you and hope to provide you with the best service and solution. Let us make a better world for our industry!



## Contact us

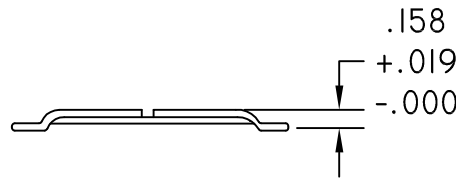
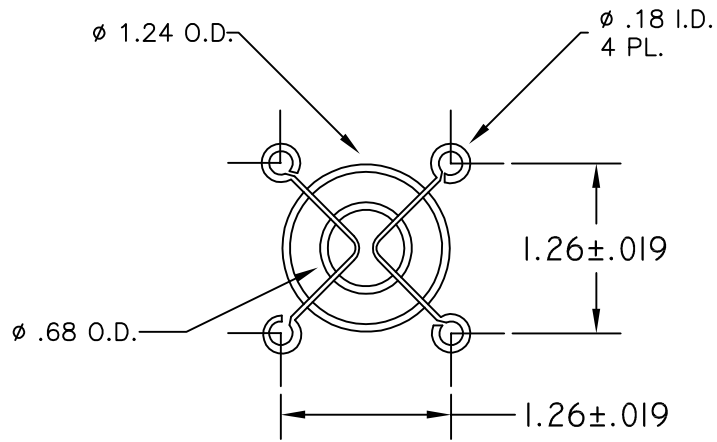
Tel: +86-755-8981 8866 Fax: +86-755-8427 6832

Email & Skype: info@chipsmall.com Web: www.chipsmall.com

Address: A1208, Overseas Decoration Building, #122 Zhenhua RD., Futian, Shenzhen, China



ITEM	PART NO.	DESCRIPTION	Q'TY	REV	DATE	DESCRIPTION	APPROVAL	REF.
1	KM40	40MM WIRE FORM FAN GUARD		0	08-27-04	ORIGINAL RELEASE	<i>JF</i>	
2								
3								
4								
5								



KM40

MAT'L:

WIRE, STEEL C1008 ELECTROPLATED BRIGHT NICKEL CHROME, CLEAR ZINC, ELECTRO DEPOSIT. PLATING THICKNESS = .0005" min.

WELD JOINTS TO WITHSTAND MIN. 70LBS. SEPARATION FORCE TO MEET UL/CSA STANDARDS. CONFORMS TO U.L.  $\phi 1/4$ " PLUG GAGE TEST

<small>UNLESS NOTED: TOLERANCES SHALL BE X = <math>\pm .300</math> .XX = <math>\pm .150</math> .XXX = <math>\pm .075</math> ANGULAR = <math>\pm 2'</math></small>	REMARKS			SHOWN Q'TY	OPPOSITE Q'TY
	THIRD ANGLE	SCALE	MATERIAL	APPROVED BY: <i>JF</i>	DRAWN BY: <i>BEA</i>
	METRIC			DATE: 08-27-04	DATE: 08-27-04
<small>THIS DRAWING IS THE PROPERTY OF SANYO DENKI AMERICA, INC. AND SHALL BE DEEMED AS PROPRIETARY INFORMATION. USE OF ANY INFORMATION CONTAINED HEREIN SHALL BE PROHIBITED WITHOUT WRITTEN PERMISSION OF SANYO AMERICA, INC.</small>	MODEL			NAME	
	<b>SANYO DENKI AMERICA, INC.</b> TORRANCE, CALIFORNIA, U.S.A.			DRAWING NO.	REVISED
			KM40	0	