



Chipsmall Limited consists of a professional team with an average of over 10 year of expertise in the distribution of electronic components. Based in Hongkong, we have already established firm and mutual-benefit business relationships with customers from,Europe,America and south Asia,supplying obsolete and hard-to-find components to meet their specific needs.

With the principle of “Quality Parts,Customers Priority,Honest Operation,and Considerate Service”,our business mainly focus on the distribution of electronic components. Line cards we deal with include Microchip,ALPS,ROHM,Xilinx,Pulse,ON,Everlight and Freescale. Main products comprise IC,Modules,Potentiometer,IC Socket,Relay,Connector.Our parts cover such applications as commercial,industrial, and automotives areas.

We are looking forward to setting up business relationship with you and hope to provide you with the best service and solution. Let us make a better world for our industry!



Contact us

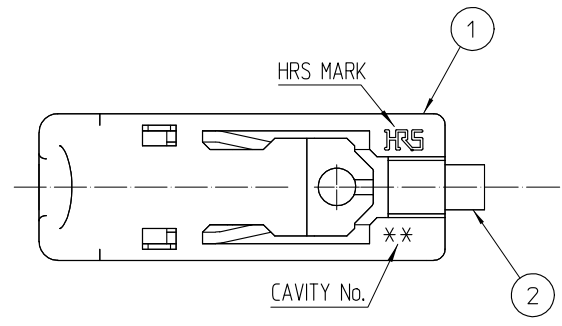
Tel: +86-755-8981 8866 Fax: +86-755-8427 6832

Email & Skype: info@chipsmall.com Web: www.chipsmall.com

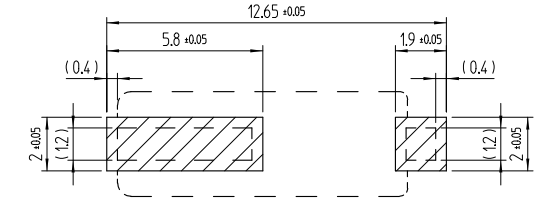
Address: A1208, Overseas Decoration Building, #122 Zhenhua RD., Futian, Shenzhen, China



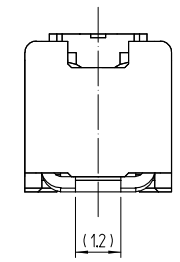
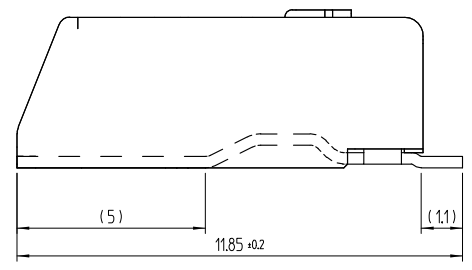
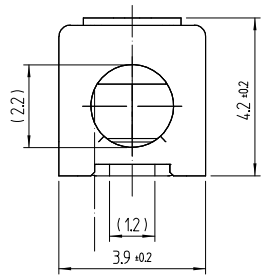
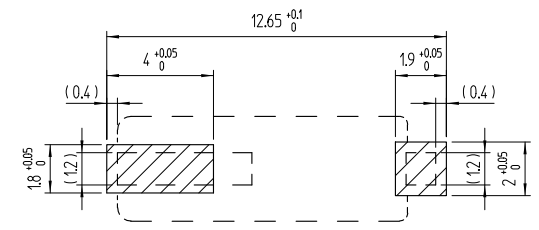
△數		訂正事項			擔當		檢圖		年月日		△數		訂正事項			擔當		檢圖		年月日	
COUNT		DESCRIPTION OF REVISIONS			B	Y	CHKD	DATE				COUNT		DESCRIPTION OF REVISIONS			B	Y	CHKD	DATE	
△												△									
△												△									
△												△									



RECOMMENDED PCB LAYOUT
(MOUNTING SURFACE SIDE) (FREE)

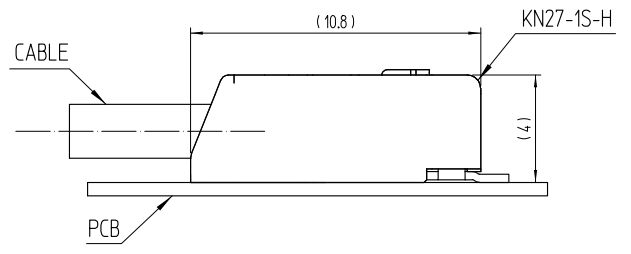


RECOMMENDED METAL MASK (FREE)
THICKNESS : 0.12mm



DRAWING FOR REFERENCE

MATING FIGURE (FREE)



- NOTE 1. LEAD CO-PLANARITY SHALL BE 0.1mm MAX
 2. UL(File No. E132750) AUTHORIZATION ARTICLE.
 C-UL(File No. E132750) AUTHORIZATION ARTICLE.

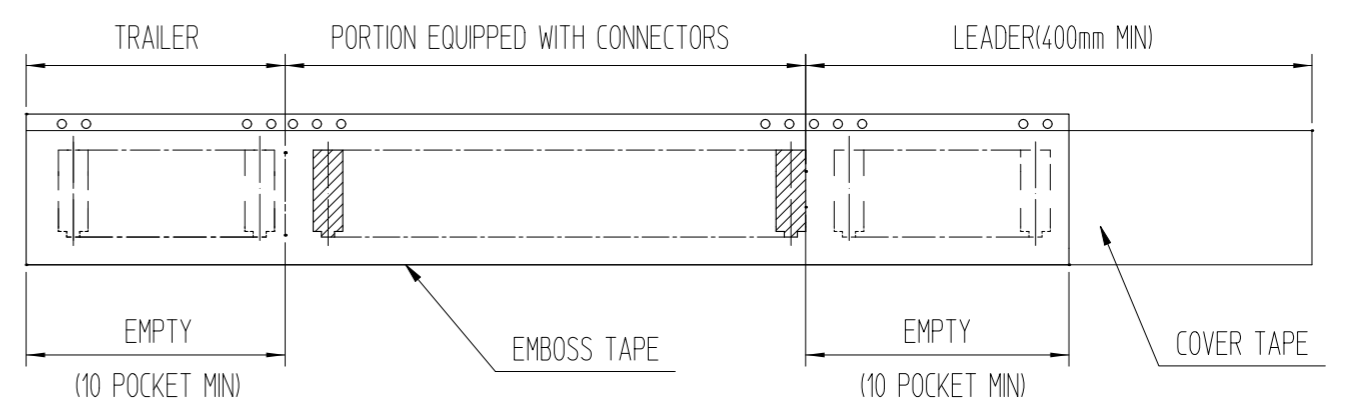
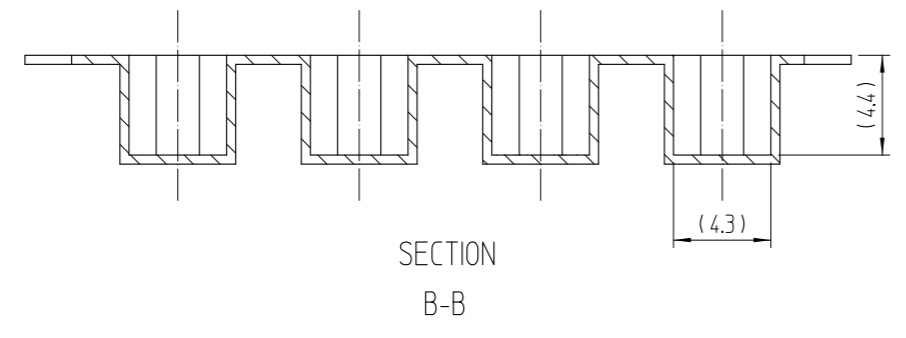
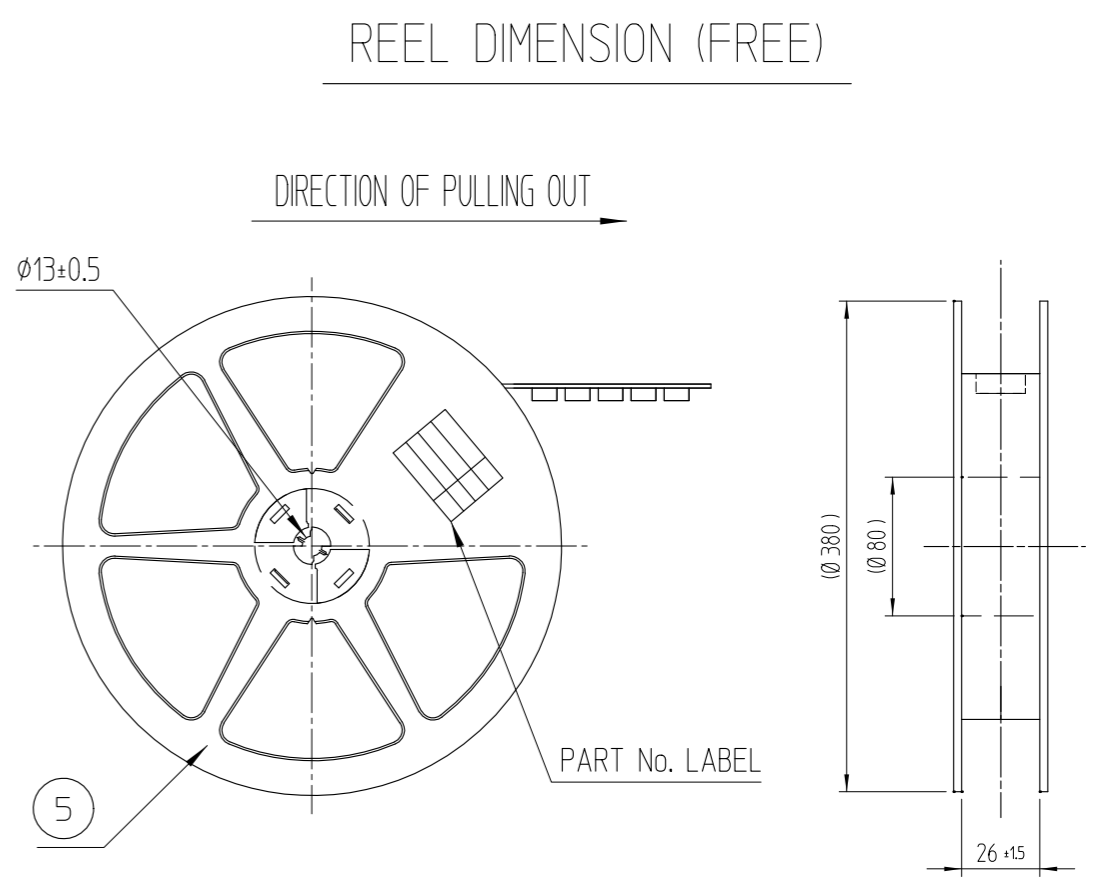
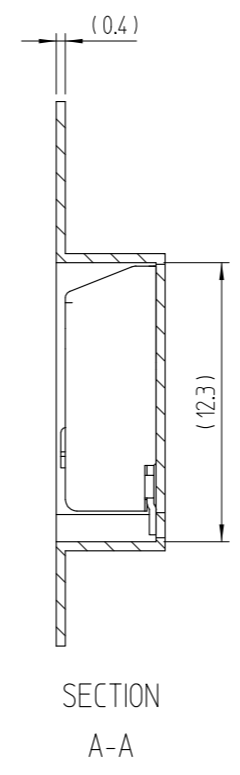
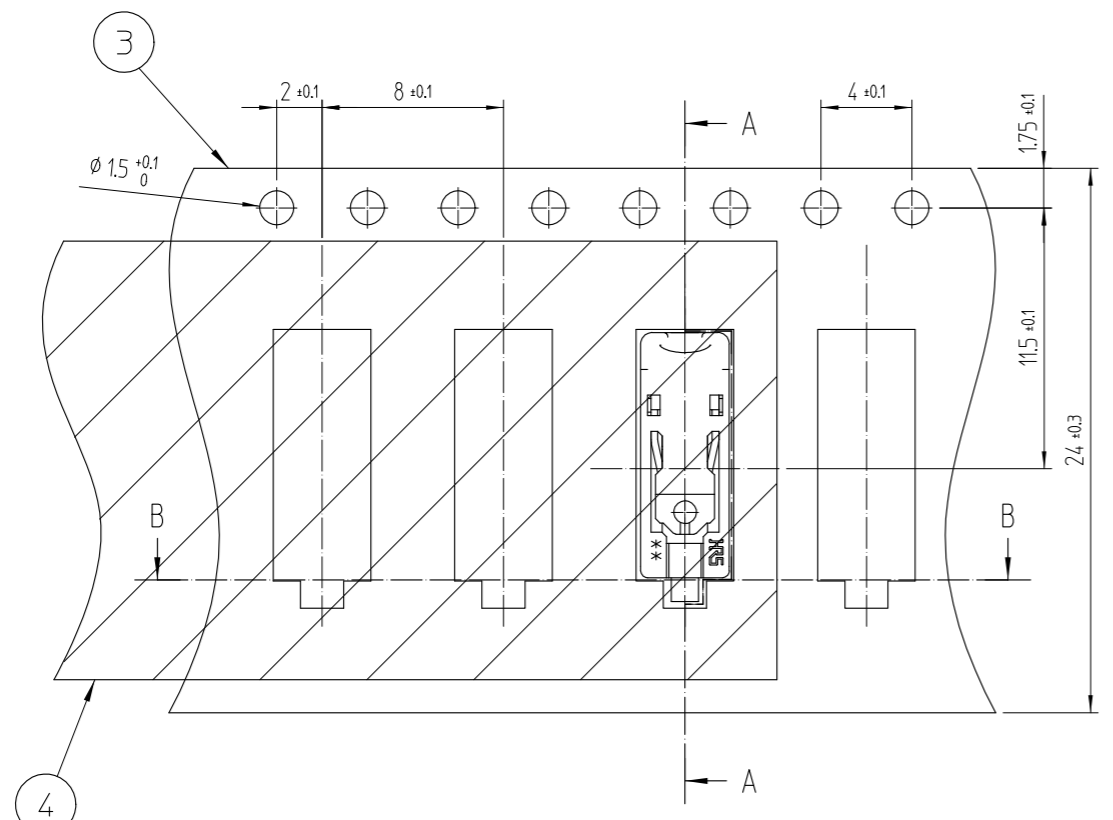


3	PS	EMBOSS CARRIER TAPE			
2	COPPER ALLOY	SnP	5	PS	REEL
1	LCP	UL94-V0, NATURAL	4	PET	COVER TAPE
NO.	MATERIAL	FINISH, REMARKS	NO.	MATERIAL	FINISH, REMARKS
CODE NO. (OLD)			DRAWN	DESIGNED	CHECKED
			S.H.GU	S.H.GU	Y.SHA
			15.05.08	15.05.08	15.05.08
			APPROVED	RELEASED	
			T.S.KANG		ENG
					16.07.13
					DEPT
DRAWING NO. EDC3-632126-00			PART NO. KN27-1S-H (835)		
SCALE 5:1			CODE NO. CL6653-0001-8-835		
UNITS mm			1/2		

1 2 3 4 5 6 7 8

A
B
C
D
E
F

A
B
C
D
E
F



NOTE 2. 1 REEL CONTAINS 2,500 PCS

	DRAWING NO.	EDC3-632126-00	PART NO.	KN27-1S-H (835)
	SCALE	5:1	CODE NO	CL6653-0001-8-835
UNITS	mm	HIROSE KOREA CO.,LTD.		2/2

1 2 3 4 5 6 7 8