



Chipsmall Limited consists of a professional team with an average of over 10 year of expertise in the distribution of electronic components. Based in Hongkong, we have already established firm and mutual-benefit business relationships with customers from,Europe,America and south Asia,supplying obsolete and hard-to-find components to meet their specific needs.

With the principle of "Quality Parts,Customers Priority,Honest Operation,and Considerate Service",our business mainly focus on the distribution of electronic components. Line cards we deal with include Microchip,ALPS,ROHM,Xilinx,Pulse,ON,Everlight and Freescale. Main products comprise IC,Modules,Potentiometer,IC Socket,Relay,Connector.Our parts cover such applications as commercial,industrial, and automotives areas.

We are looking forward to setting up business relationship with you and hope to provide you with the best service and solution. Let us make a better world for our industry!



Contact us

Tel: +86-755-8981 8866 Fax: +86-755-8427 6832

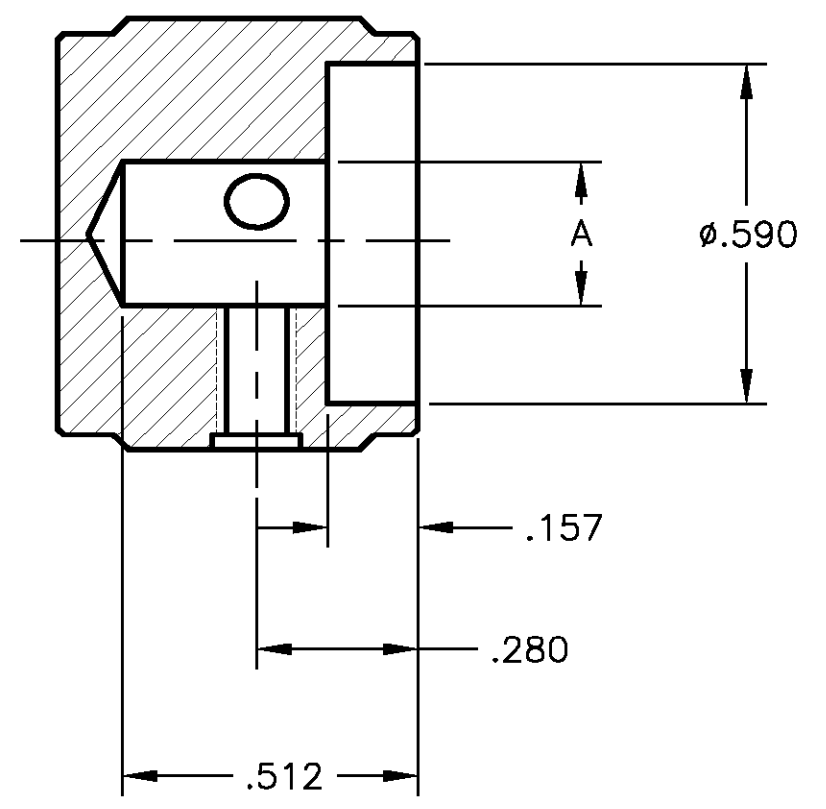
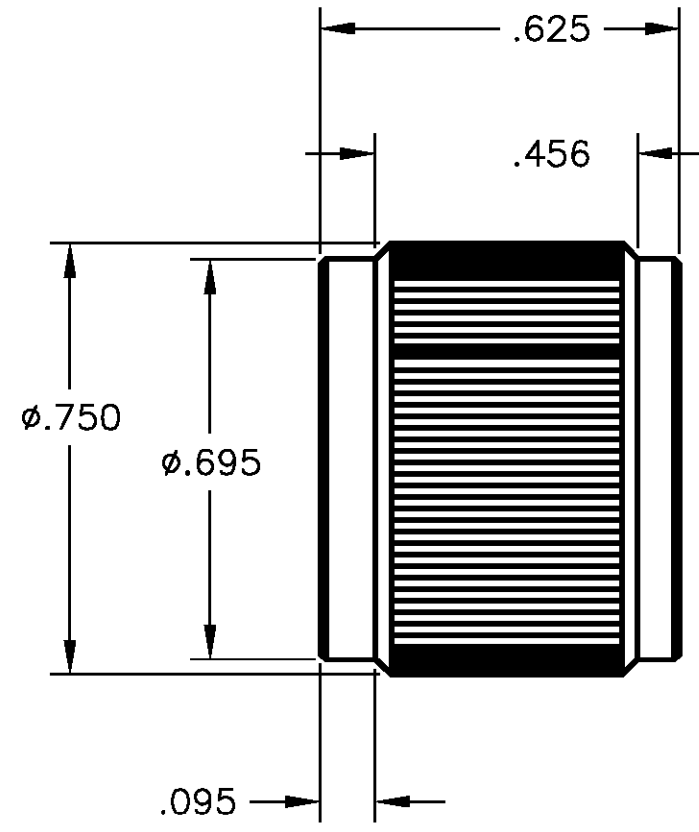
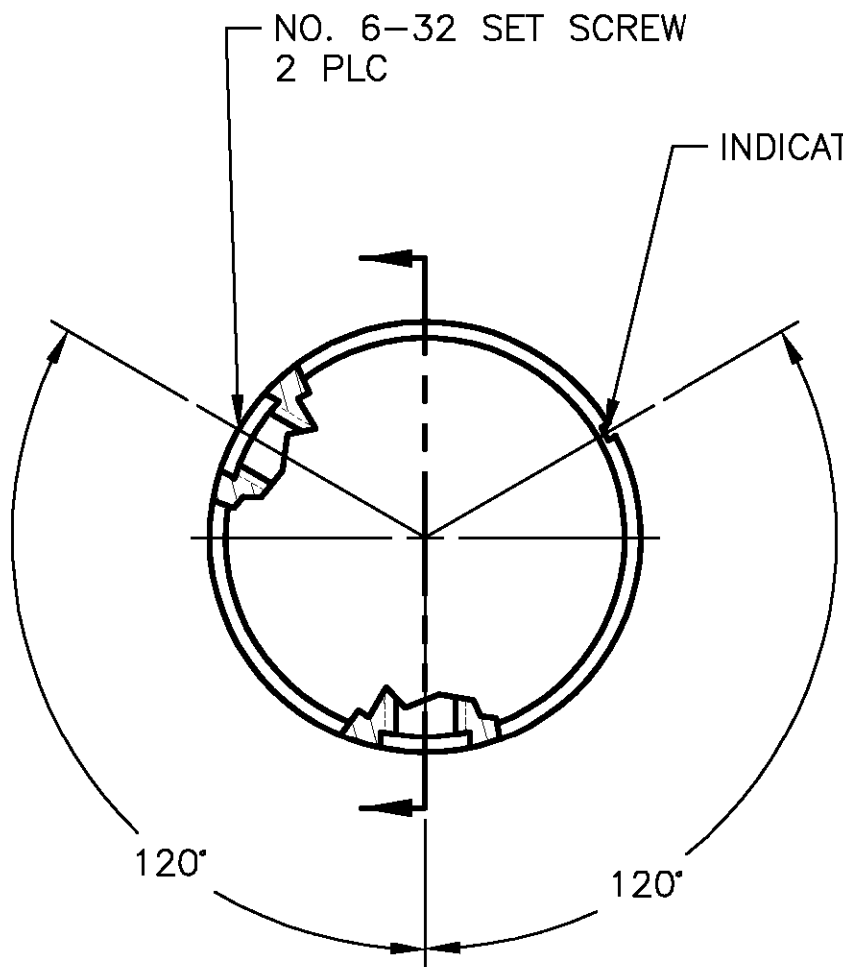
Email & Skype: info@chipsmall.com Web: www.chipsmall.com

Address: A1208, Overseas Decoration Building, #122 Zhenhua RD., Futian, Shenzhen, China



THIS DRAWING IS UNPUBLISHED. RELEASED FOR PUBLICATION
 © COPYRIGHT BY TYCO ELECTRONICS CORPORATION. ALL RIGHTS RESERVED.

LOC	DIST	REVISIONS			
P	LTR	DESCRIPTION	DATE	DWN	APVD
		D	REV PER EC 0G3C-356-02	17SEP02	MB MZ



- 1 KNOB: ALUMINUM; SET SCREWS: STAINLESS STEEL
- 2 FINISH: ANODIZED - SEE TABLE
- 3. WAS DRAWING NUMBER 80254

PRELIMINARY PART	.250	NONE	BLACK	BLACK	KN700B1/4NL	1571330-2
PRELIMINARY PART	.236(6mm)	NONE	BLACK	BLACK	KN700B6MNL	1571330-1
	.250	WHITE	NATURAL	BLACK	KN700BA1/4	6-1437622-1
		BLACK	BLACK	NATURAL	KN700AB1/4	5-1437622-9
		WHITE	BLACK	BLACK	KN700B1/4	6-1437622-0
		BLACK	NATURAL	NATURAL	KN700A1/4	5-1437622-8
	A	INDICATOR LINE	TOP	BODY	MODEL NUMBER	PART NUMBER
			2	COLOR		

THIS DRAWING IS A CONTROLLED DOCUMENT.		DWN M.BINNER 27JUN02	Tyco Electronics Corporation Harrisburg, PA 17105			
DIMENSIONS: INCHES 		CHK M.ZITTO	NAME			
TOLERANCES UNLESS OTHERWISE SPECIFIED: 0 PLC ± - 1 PLC ± - 2 PLC ± - 3 PLC ± .020 4 PLC ± - ANGLES ± -		APVD M.ZITTO	KNOB, STRAIGHT KNURL HAIRLINE INDICATOR (KN-700)			
MATERIAL	FINISH	PRODUCT SPEC	SIZE	CAGE CODE	DRAWING NO	RESTRICTED TO
1	2	-	A3	00779	C-6-1437622-0	-
CUSTOMER DRAWING			SCALE	SHEET	REV	
			3:1	1 OF 1	D	