



Chipsmall Limited consists of a professional team with an average of over 10 year of expertise in the distribution of electronic components. Based in Hongkong, we have already established firm and mutual-benefit business relationships with customers from,Europe,America and south Asia,supplying obsolete and hard-to-find components to meet their specific needs.

With the principle of "Quality Parts,Customers Priority,Honest Operation,and Considerate Service",our business mainly focus on the distribution of electronic components. Line cards we deal with include Microchip,ALPS,ROHM,Xilinx,Pulse,ON,Everlight and Freescale. Main products comprise IC,Modules,Potentiometer,IC Socket,Relay,Connector.Our parts cover such applications as commercial,industrial, and automotives areas.

We are looking forward to setting up business relationship with you and hope to provide you with the best service and solution. Let us make a better world for our industry!



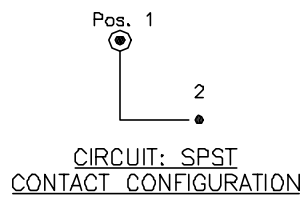
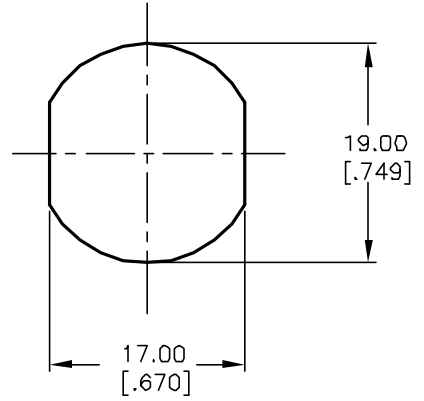
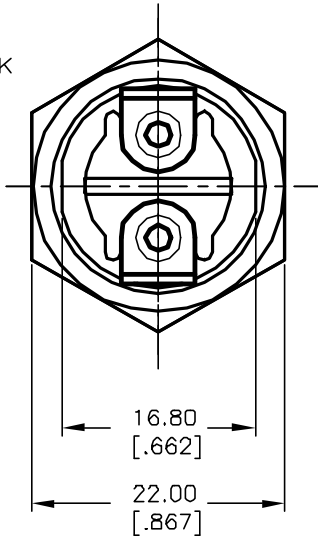
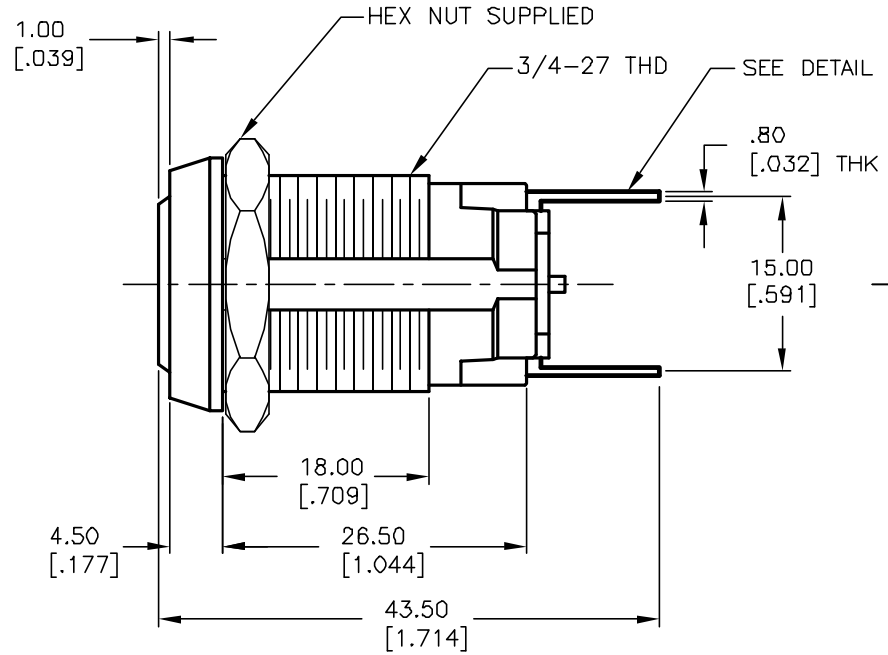
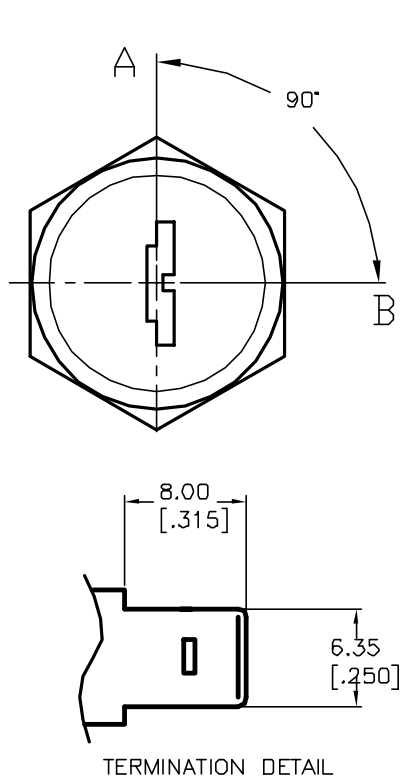
## Contact us

Tel: +86-755-8981 8866 Fax: +86-755-8427 6832

Email & Skype: info@chipsmall.com Web: www.chipsmall.com

Address: A1208, Overseas Decoration Building, #122 Zhenhua RD., Futian, Shenzhen, China





SWITCH FUNCTION	
POS 1	POS 2
↑	→
OFF	ON

**LEGEND**  
 ● = INDICATE NO KEY PULL  
 ⊙ = INDICATES KEY PULL POSSIBLE

*RECOMMENDED PANEL CUTOUT*

- NOTES:**
- ALL DIMENSIONS IN MM [INCH]
  - GENERAL TOLERANCE: X.X=±0.4  
X.XX=±0.25
  - TERM. NOS. FOR REFERENCE ONLY.
  - RATING: 4A @125VAC, 2A @250VAC
  - CONTACT RESISTANCE: 10mILLI-OHMS
  - DIELECTRIC STRENGTH: 1500 VAC-1Minute
  - INSULATION RESISTANCE: 200 Mega-OHMS
  - MATERIALS:  
 HOUSING: ZINC ALLOY DIE CAST  
 CYLINDER: ZINC ALLOY W/CHROME PLATE  
 CONTACTS: SILVER PLATE  
 CRISS CROSS TUMBLERS. (11 BLADE)  
 DOUBLE BITTED KEYS (2) STAMPED 2007

**E-SWITCH®**

B	12872	REMOVE TERM /NOTE 8	3/4/03	CJB
A	11754	RELEASED FOR PRODUCTION	10/17/01	CJB
REV.	ECN No.	DESCRIPTION	DATE	CHKD

<b>E-SWITCH®</b>				
TITLE <b>K0128F-2007</b>				
SCALE	DATE	DR	DWG	REV
1.5:1	10/17/01	CJB	K200203	B

THE INFORMATION CONTAINED IN THIS DOCUMENT IS PROPRIETARY TO E-SWITCH AND IS NOT TO BE COPIED OR TRANSFERRED