



Chipsmall Limited consists of a professional team with an average of over 10 year of expertise in the distribution of electronic components. Based in Hongkong, we have already established firm and mutual-benefit business relationships with customers from,Europe,America and south Asia,supplying obsolete and hard-to-find components to meet their specific needs.

With the principle of “Quality Parts,Customers Priority,Honest Operation,and Considerate Service”,our business mainly focus on the distribution of electronic components. Line cards we deal with include Microchip,ALPS,ROHM,Xilinx,Pulse,ON,Everlight and Freescale. Main products comprise IC,Modules,Potentiometer,IC Socket,Relay,Connector.Our parts cover such applications as commercial,industrial, and automotives areas.

We are looking forward to setting up business relationship with you and hope to provide you with the best service and solution. Let us make a better world for our industry!



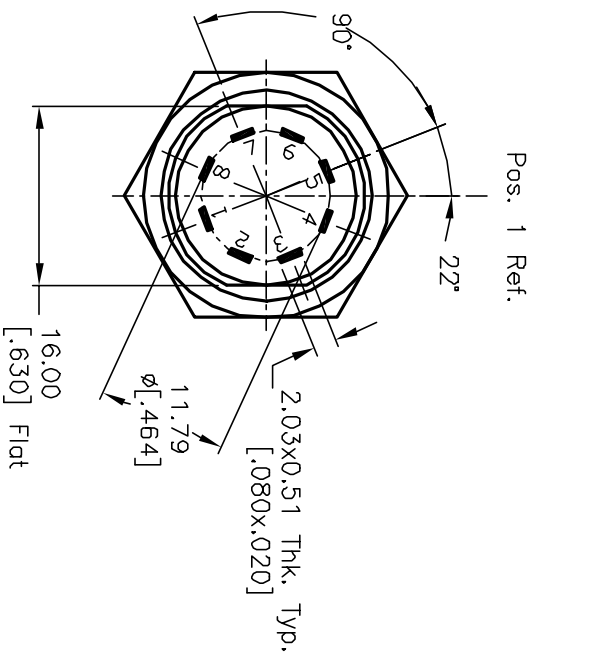
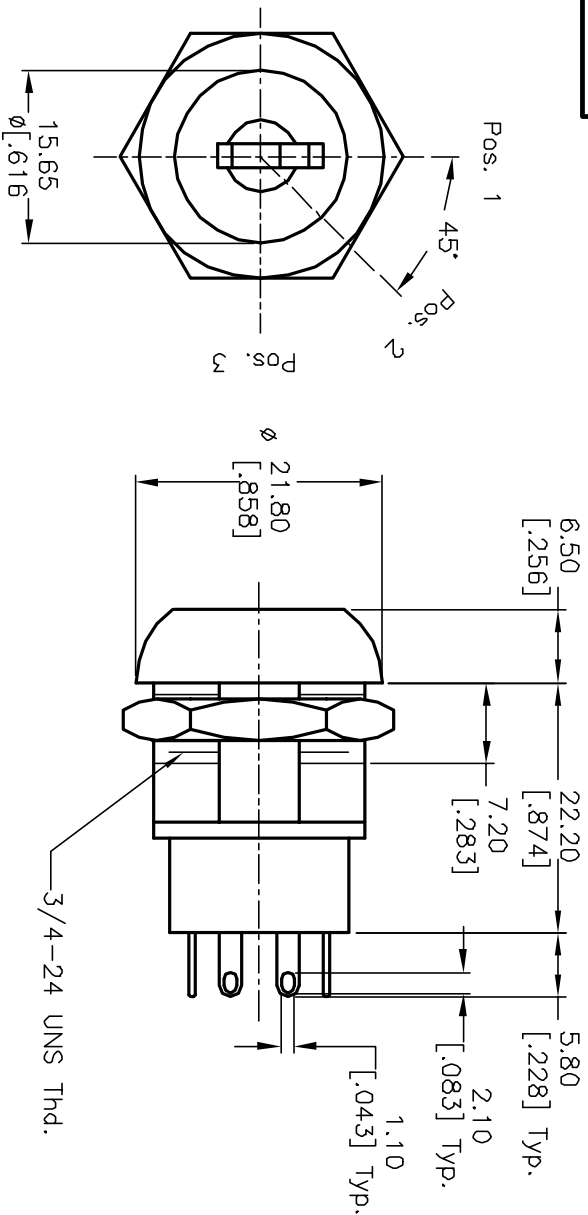
Contact us

Tel: +86-755-8981 8866 Fax: +86-755-8427 6832

Email & Skype: info@chipsmall.com Web: www.chipsmall.com

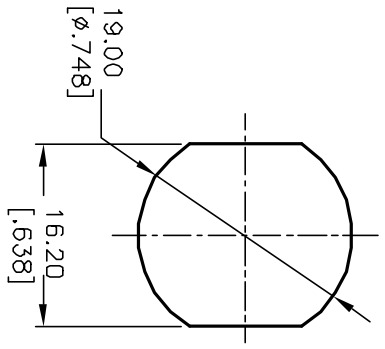
Address: A1208, Overseas Decoration Building, #122 Zhenhua RD., Futian, Shenzhen, China



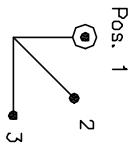


NOTES:

1. ALL DIMENSIONS IN MM [INCH]
2. GENERAL TOLERANCE: 0.0=±0.4
0.00=±0.25
3. TERM. NOS. FOR REF. ONLY
4. CONTACT RATING: 4A @125VAC/28VDC, 2A @250VAC
5. CONTACT RESISTANCE: Below 10 milliohms
6. DIELECTRIC STRENGTH: 1KV RMS min. at sea level
7. ELECTRICAL LIFE: 10,000 make-and-break cycles at full load.
8. LOCK: bright nickel plated zinc alloy with nickel facing (black and polished chrome facing available)
9. Tumbler mechanism: 4-disc tumbler
10. KEYS: brass with code no. (2 Keys)
11. CONTACTS: silver plated Cu (Q contact material)
12. TERMINALS: silver plated Cu (Q contact material)
13. CONTACT SPRING: piano wire
14. MOUNTING NUT: nickel plated zinc alloy



RECOMMEND PANEL LAYOUT



CIRCUIT: DP (45° INDEXING)
CONTACT CONFIGURATION

SWITCH FUNCTION			
CONNECTED TERMINAL #	POS. 1	POS. 2	POS. 3
	8-1, 4-5	1-2, 5-6	2-3, 6-7

A		10459	RELEASED FOR PRODUCTION	DATE	CHK'D	TITLE	SCALE	DATE	DR	DWG	REV
REV.	ECN NO.	DESCRIPTION				KD130B-A126	1.5:1	12/8/99	MM	K200241	A
<p>THE INFORMATION CONTAINED IN THIS DOCUMENT IS PROPRIETARY TO E-SWITCH AND IS NOT TO BE COPIED OR TRANSMITTED</p>											

