



Chipsmall Limited consists of a professional team with an average of over 10 year of expertise in the distribution of electronic components. Based in Hongkong, we have already established firm and mutual-benefit business relationships with customers from,Europe,America and south Asia,supplying obsolete and hard-to-find components to meet their specific needs.

With the principle of “Quality Parts,Customers Priority,Honest Operation,and Considerate Service”,our business mainly focus on the distribution of electronic components. Line cards we deal with include Microchip,ALPS,ROHM,Xilinx,Pulse,ON,Everlight and Freescale. Main products comprise IC,Modules,Potentiometer,IC Socket,Relay,Connector.Our parts cover such applications as commercial,industrial, and automotives areas.

We are looking forward to setting up business relationship with you and hope to provide you with the best service and solution. Let us make a better world for our industry!



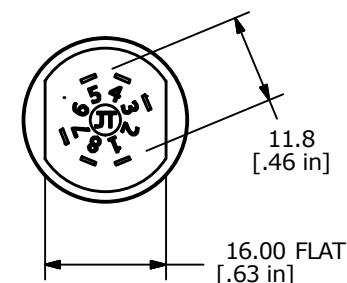
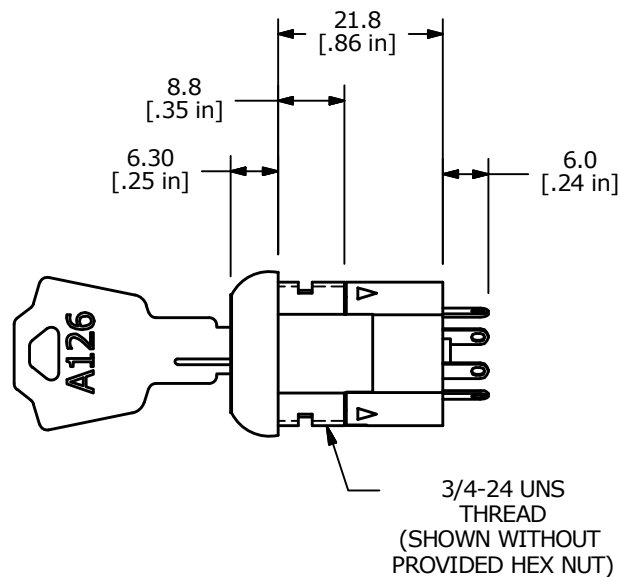
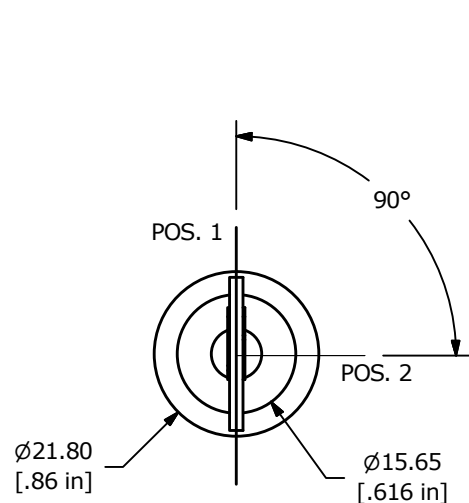
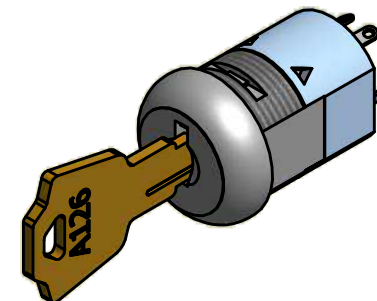
## Contact us

Tel: +86-755-8981 8866 Fax: +86-755-8427 6832

Email & Skype: info@chipsmall.com Web: www.chipsmall.com

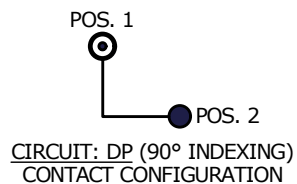
Address: A1208, Overseas Decoration Building, #122 Zhenhua RD., Futian, Shenzhen, China





NOTES:

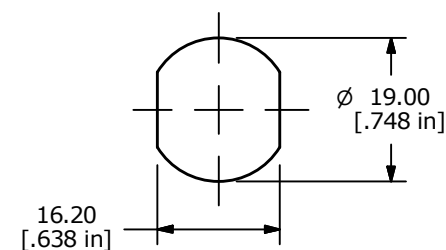
1. ALL DIMENSIONS IN MM [INCH]
2. GENERAL TOLERANCE: X.X = ±0.4  
X.XX = ±0.25
3. TERM. NOS. FOR REF. ONLY
4. CONTACT RATING: 4A @125VAC/28VDC, 2A @250VAC
5. DIELECTRI STRENGTH: 1KV RMS min. AT SEA LEVEL
6. ELECTRICAL LIFE: 10,000 MAKE-AND-BREAK CYCLES AT FULL LOAD.
7. KEYCODE: A126



SWITCH FUNCTION	
CONNECTED TERMINAL #	
POS.1	POS.2
8-1, 4-5	1-3, 5-7

LEGEND

- = DETENT POSITIONS
- ⊙ = KEY PULL POSSIBLE IN THESE POSITIONS



RECOMMENDED PANEL LAYOUT

D	22261	Update Terminal Numbers	4/8/16	MW
C	21924	UPDATED AND REDRAWN IN INVENTOR	7/22/15	MW
B	11401	RIVISED SCHEMATIC	7/5/01	CJB
REV	PCR NO	DESCRIPTION	DATE	BY

THE INFORMATION CONTAINED IN THIS DOCUMENT IS PROPRIETARY TO E-SWITCH AND IS NOT TO BE COPIED OR TRANSFERRED



TITLE K01300A126

SCALE	DATE	DR	DWG	REV
1:1	7/21/2015	AS	K200224	D