



Chipsmall Limited consists of a professional team with an average of over 10 year of expertise in the distribution of electronic components. Based in Hongkong, we have already established firm and mutual-benefit business relationships with customers from,Europe,America and south Asia,supplying obsolete and hard-to-find components to meet their specific needs.

With the principle of “Quality Parts,Customers Priority,Honest Operation,and Considerate Service”,our business mainly focus on the distribution of electronic components. Line cards we deal with include Microchip,ALPS,ROHM,Xilinx,Pulse,ON,Everlight and Freescale. Main products comprise IC,Modules,Potentiometer,IC Socket,Relay,Connector.Our parts cover such applications as commercial,industrial, and automotives areas.

We are looking forward to setting up business relationship with you and hope to provide you with the best service and solution. Let us make a better world for our industry!



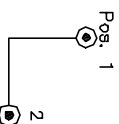
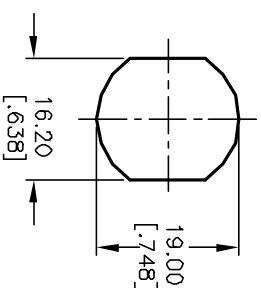
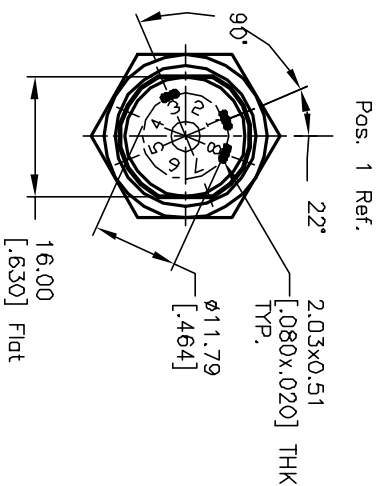
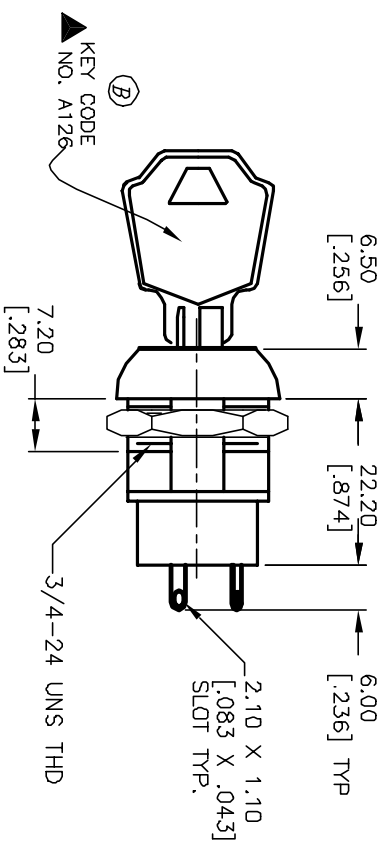
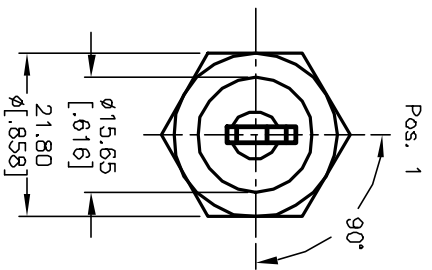
## Contact us

Tel: +86-755-8981 8866 Fax: +86-755-8427 6832

Email & Skype: info@chipsmall.com Web: www.chipsmall.com

Address: A1208, Overseas Decoration Building, #122 Zhenhua RD., Futian, Shenzhen, China





CIRCUIT: SP (90° INDEXING)  
CONTACT CONFIGURATION

SWITCH FUNCTION	
CONNECTED TERMINAL #	POS. #
1-3	1-3
8-1	1-3

RECOMMENDED PANEL LAYOUT

LEGEND  
 • =Detent Positions (45° or 90°)  
 ⊕ =Key pull possible in these positions

- NOTES:
1. ALL DIMENSIONS IN MM [INCH]
  2. GENERAL TOLERANCE: X.X=±0.4  
X.XX=±0.25
  3. TERM. NOS. FOR REF. ONLY
  4. CONTACT RATING: 4A @125VAC/28VDC, 2A @250VAC
  5. DIELECTRIC STRENGTH: 1KV RMS min. at sea level
  6. ELECTRICAL LIFE: 10,000 make-and-break cycles at full load.
  7. MATERIALS:  
 CONTACTS: Silver Plated CU (Q Contact material)  
 TERMINALS: GOLD Plated Cu (Q Contact material)  
 MOUNTING NUT: Nickel Plated zinc alloy  
 CONTACT SPRING: Piano Wire  
 KEYS (2): Brass with code no. A126  
 LOCK: Bright Ni plated zinc alloy with Ni facing  
 TUMBLER Mechanism: 4-disc tumbler cylinder.

REV. B	ECN NO. 11722	REVISION	10/11/01	CJB
DESCRIPTION		DATE	CHK'D	

TITLE		SCALE	DATE	DR	DWG	REV
K0130R-A126		1:1	10/11/01	CJB	K200227	B



THE INFORMATION CONTAINED IN THIS DOCUMENT IS PROPRIETARY TO E-SWITCH AND IS NOT TO BE COPIED OR TRANSMITTED