



Chipsmall Limited consists of a professional team with an average of over 10 year of expertise in the distribution of electronic components. Based in Hongkong, we have already established firm and mutual-benefit business relationships with customers from,Europe,America and south Asia,supplying obsolete and hard-to-find components to meet their specific needs.

With the principle of "Quality Parts,Customers Priority,Honest Operation,and Considerate Service",our business mainly focus on the distribution of electronic components. Line cards we deal with include Microchip,ALPS,ROHM,Xilinx,Pulse,ON,Everlight and Freescale. Main products comprise IC,Modules,Potentiometer,IC Socket,Relay,Connector.Our parts cover such applications as commercial,industrial, and automotives areas.

We are looking forward to setting up business relationship with you and hope to provide you with the best service and solution. Let us make a better world for our industry!



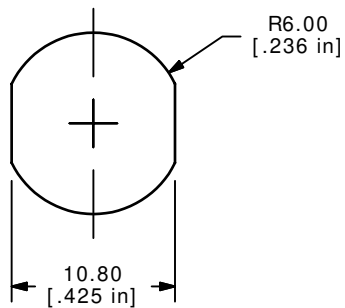
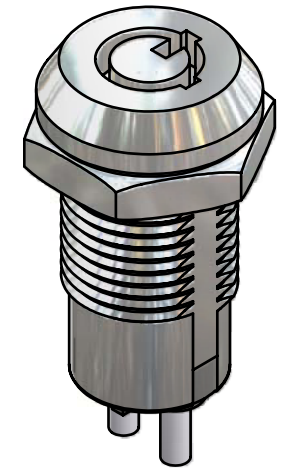
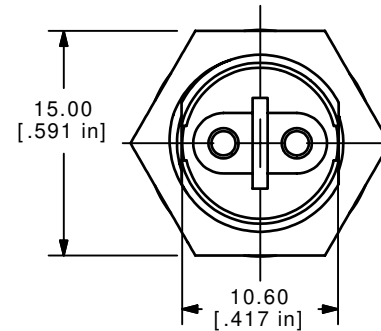
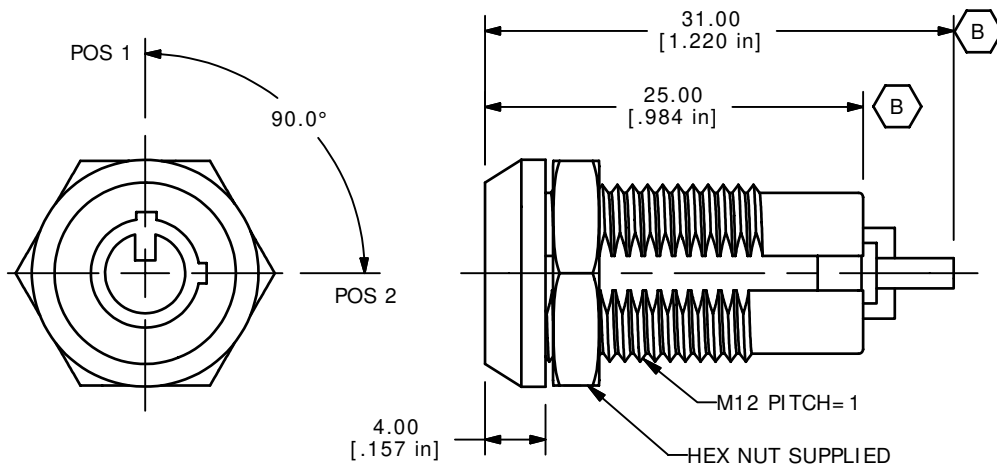
Contact us

Tel: +86-755-8981 8866 Fax: +86-755-8427 6832

Email & Skype: info@chipsmall.com Web: www.chipsmall.com

Address: A1208, Overseas Decoration Building, #122 Zhenhua RD., Futian, Shenzhen, China

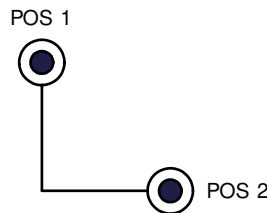




RECOMMENDED PANEL CUTOUT

NOTES:

1. ALL DIMENSIONS IN MM[INCH]
2. GENERAL TOLERANCE: x.x= ±0.4
x.xx= ±0.25
3. TERM. NOS. FOR REFERENCE ONLY.
4. RATING: 1A @125VAC, 0.5A @250VAC
5. CONTACT RESISTANCE: 10milli-OHMS
6. DIELECTRIC STRENGTH: 1000 VAC-1Minute
7. MATERIALS:
HOUSING: ZINC ALLOY W/CHROME PLATING
CYLINDER: ZINC ALLOY W/CHROME PLATING
TERMINAL AND CONTACTS: SILVER PLATED
KEYS (2) KEY CODE 755: ZINC ALLOY, CHROME PLATING

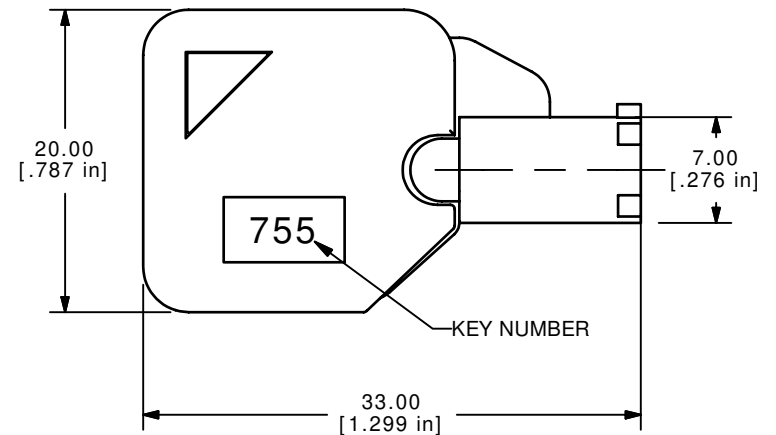


CIRCUIT: SPST
CONTACT CONFIGURATION
90° INDEXING

SWITCH FUNCTION	
POS 1	POS 2
↑	→
OFF	ON

LEGEND

● = INDICATES KEY PULL POSSIBLE



E-SWITCH®

B	16344	FIXED INCORRECT DIMS.	8/18/06	BO
A	15968	NEW PART RELEASE	4/21/06	CT
REV	PCR NO	DESCRIPTION	DATE	BY

TITLE KO133B755				
SCALE	DATE	DR	DWG	REV
2:1	4/21/2006	CT	K400114	B

THE INFORMATION CONTAINED IN THIS DOCUMENT IS PROPRIETARY TO E-SWITCH AND IS NOT TO BE COPIED OR TRANSFERRED