



Chipsmall Limited consists of a professional team with an average of over 10 year of expertise in the distribution of electronic components. Based in Hongkong, we have already established firm and mutual-benefit business relationships with customers from,Europe,America and south Asia,supplying obsolete and hard-to-find components to meet their specific needs.

With the principle of “Quality Parts,Customers Priority,Honest Operation,and Considerate Service”,our business mainly focus on the distribution of electronic components. Line cards we deal with include Microchip,ALPS,ROHM,Xilinx,Pulse,ON,Everlight and Freescale. Main products comprise IC,Modules,Potentiometer,IC Socket,Relay,Connector.Our parts cover such applications as commercial,industrial, and automotives areas.

We are looking forward to setting up business relationship with you and hope to provide you with the best service and solution. Let us make a better world for our industry!



Contact us

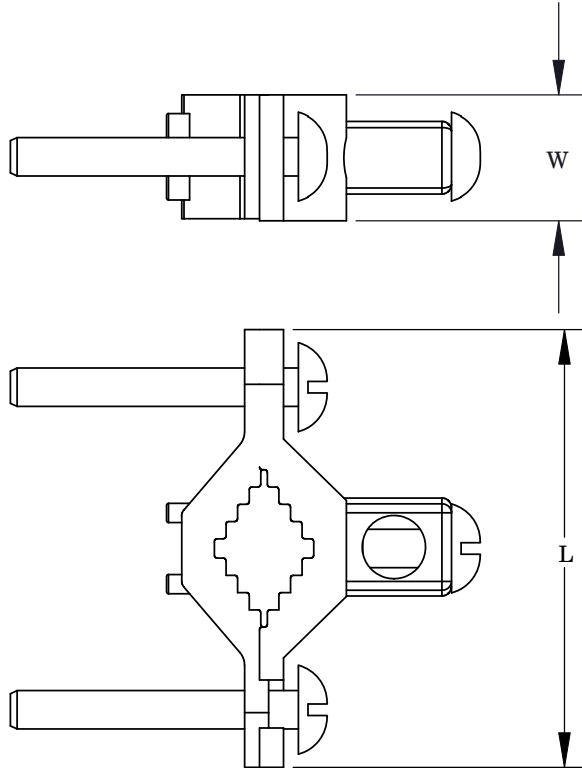
Tel: +86-755-8981 8866 Fax: +86-755-8427 6832

Email & Skype: info@chipsmall.com Web: www.chipsmall.com

Address: A1208, Overseas Decoration Building, #122 Zhenhua RD., Futian, Shenzhen, China



THIS COPY IS PROVIDED ON A RESTRICTED BASIS AND IS NOT TO BE USED IN ANY WAY DETRIMENTAL TO THE INTERESTS OF PANDUIT CORP.



NOT SUITABLE FOR DIRECT BURIAL

NOTES:

1. CAST FROM HIGH STRENGTH ELECTRICAL BRONZE. FURNISHED WITH HIGH STRENGTH PLATED STEEL HARDWARE.
2. FOR BONDING BARE COPPER WIRE TO WATER PIPE OR FOR USE AS A WATER METER SHUNT.
3. SLOTTED SCREWS
4. PACKAGE QTY: -L = 50
-C = 100

CATALOG NUMBER	WATER PIPE RANGE IN.	CONDUCTOR RANGE OF TAP	WIRE DIAMETER RANGE	L	W
KP1-C	1/2"-1"	10 SOL. - 2 STR.	.102 - .292	2.28	0.66
KP2-L	1-1/4"-2"	10 SOL. - 2 STR.	.102 - .292	3.58	0.73

REV	DATE	BY	CHK	DESCRIPTION	ECN	-R	SUP	CHK'D	N/A
05	1/11	JHNU	JHNU	REVISED FORMAT OF WATER PIPE RANGE	N41217BA-C41217	FLD	FLD		
04	12/10	JHNU	JHNU	REVISED UL LOGO TO STATE NOT SUITABLE FOR DIRECT BURIAL	N41217BA-C41217	FLD	FLD		
03	12/08	JHNU	JHNU	REMOVED PACKAGING CODE 'E' FROM DRAWING					
02	10/08	JHNU	JHNU	REVISED UL LISTING CONVERTED DWG. TO SOLIDWORKS					
01	2/05	JHNU		REMOVED PARTNUMBER KP4-E FROM DRAWING					
00	7/97	TM	WJB	DWG. RELEASED	06029				

PANDUIT CORP. TINLEY PARK, ILLINOIS									
BRONZE GROUND CLAMP, KP SERIES CUSTOMER DRAWING									
					UNLESS OTHERWISE SPECIFIED DIMENSIONAL TOLERANCES ARE: (.X) ± (.XXX) ± (.XX) ± ANGLES ±			UNLESS OTHERWISE SPECIFIED, ALL DIMENSIONS ARE GIVEN IN INCHES, THIRD ANGLE PROJECTION	
					DRAWN BY		MAT'L:		SCALE
					DATE		SEE NOTE 1 ABOVE		DRAWING NO / CAD FILE
									C 41217_05
									A SIZE