



Chipsmall Limited consists of a professional team with an average of over 10 year of expertise in the distribution of electronic components. Based in Hongkong, we have already established firm and mutual-benefit business relationships with customers from,Europe,America and south Asia,supplying obsolete and hard-to-find components to meet their specific needs.

With the principle of “Quality Parts,Customers Priority,Honest Operation,and Considerate Service”,our business mainly focus on the distribution of electronic components. Line cards we deal with include Microchip,ALPS,ROHM,Xilinx,Pulse,ON,Everlight and Freescale. Main products comprise IC,Modules,Potentiometer,IC Socket,Relay,Connector.Our parts cover such applications as commercial,industrial, and automotives areas.

We are looking forward to setting up business relationship with you and hope to provide you with the best service and solution. Let us make a better world for our industry!



Contact us

Tel: +86-755-8981 8866 Fax: +86-755-8427 6832

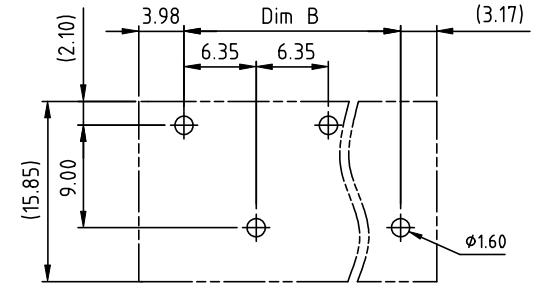
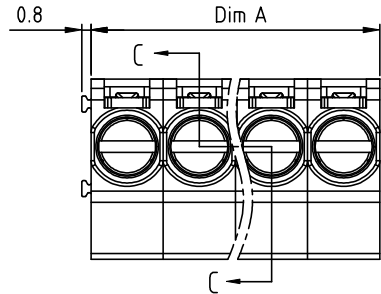
Email & Skype: info@chipsmall.com Web: www.chipsmall.com

Address: A1208, Overseas Decoration Building, #122 Zhenhua RD., Futian, Shenzhen, China





PRODUCT NUMBER	PITCH
KPxx01x000J0G	6.35 mm



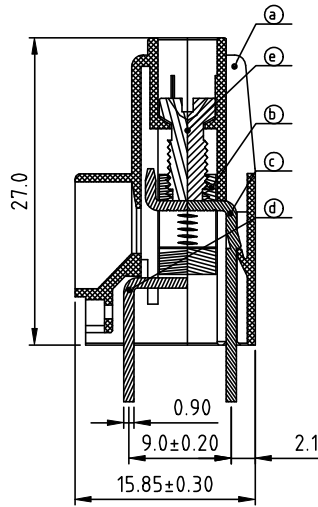
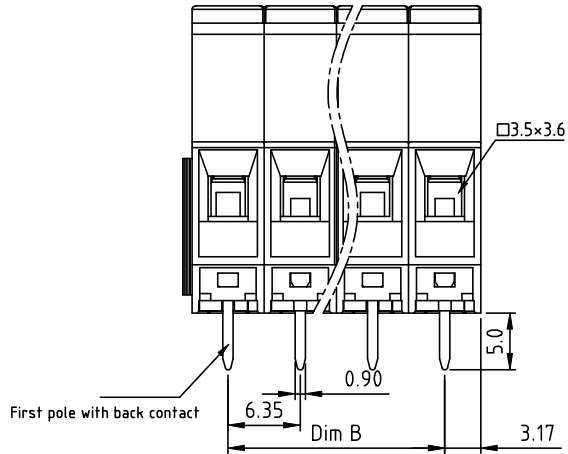
RECOMMENDED P.C.B LAYOUT
TOP VIEW

Material:

- ItemⒶTerminal housing:Thermoplastic (UL 94V-0)
- ItemⒷClamp: Brass Ni plated
- ItemⒸBack pin : Copper Tin plated
- ItemⒹFront pin : Copper Tin plated
- ItemⒺTerminal screw: Steel Zinc plating"-slot type

Electrical cULs

- Voltage rating: 600VAC
- Current rating: 30A
- Wire range:
- Solid wire(AWG): 10-24
- Stranded wire(AWG): 10-24
- Torque(Lb-In): 5.3
- Screw: M3.5
- Wire strip length: 8-9mm
- Withstanding Voltage: 2.2KV
- Operating temperature: -40°C to +115°C
- Soldering temperature: 260°C±5°C/5 Sec
- Safety Approval:



SECTION C-C

PART NO.: KP xx 0 1 x 0 00J0 G

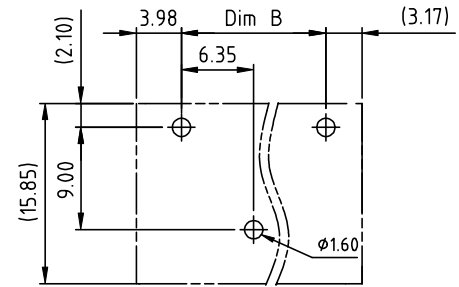
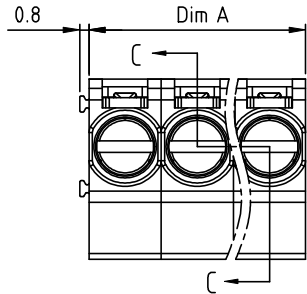
N = Number of poles
 Dim A=Nx6.35
 Dim B=(N-1)x6.35

Poles	Dim A	Dim B
2P/4P/6p	±0.20	±0.15
8P/10P/12p	±0.30	±0.25
14P/16p	±0.40	±0.35

End Stackable	No. of poles	Body Color	RoHS compliant
0	2	Black (RAL9005)	(lead<4%) In copper Alloy
02	2 poles	Red (RAL3001/D)	
04	4 poles	Orange(RAL2011/P)	
...	...	Yellow(RAL1018/A)	
16	16 poles	Green(RAL6018/T)	
		Blue (RAL5015/A)	
		8 Grey(RAL7035/D)	
		9 White(RAL1102)	
		C Green(RAL6018/U)	

mat'l. code				surface ASME Y14.5		tolerance ASME Y14.5		projection 		product family TERMINAL BLOCK	
ltr	ecn no	dr	date	tolerances unless otherwise specified							
				angles	X.±0.5		MM		title TERMINAL BLOCK		
				fin	X.X±0.3		scale		RISING CLAMP,180D WIRE INLET,INTERLACE,EVEN POLES		
				X'±1"	X.XX±0.1		scale		sheet 1 of 2 size		
		dr	EVIN ZHONG	041414					KPxx01x000J0G		
		enrg	EVIN ZHONG	041414					A4		
		chr	HANKE FENG	041414					type CUSTOMER Drawing		
		appd	SHI JUN	041414							
sheet index	revision sheet	A	1								

PRODUCT NUMBER	PITCH
KPxx01x000J0G	6.35 mm



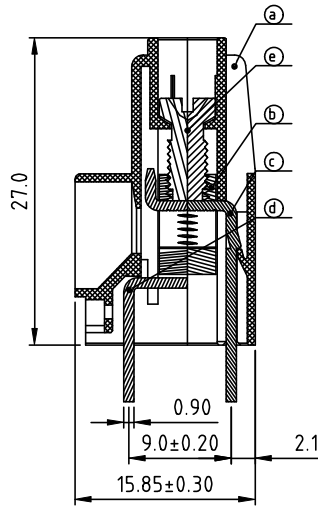
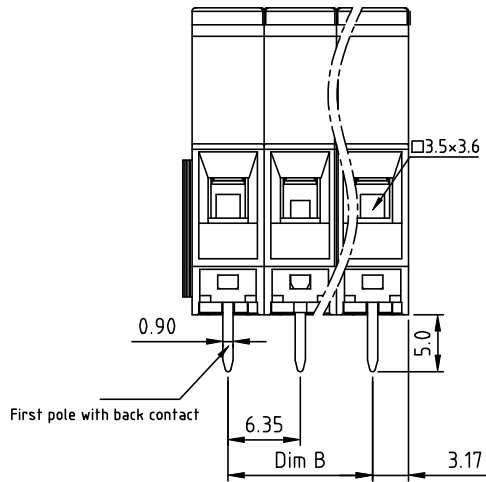
RECOMMENDED P.C.B LAYOUT
TOP VIEW

Material:

- Item ① Terminal housing: Thermoplastic (UL 94V-0)
- Item ② Clamp: Brass Ni plated
- Item ③ Back pin : Copper Tin plated
- Item ④ Front pin : Copper Tin plated
- Item ⑤ Terminal screw: Steel Zinc plating"-slot type

Electrical cULs

- Voltage rating: 600VAC
- Current rating: 30A
- Wire range:
- Solid wire(AWG): 10-24
- Stranded wire(AWG): 10-24
- Torque(Lb-In): 5.3
- Screw: M3.5
- Wire strip length: 8-9mm
- Withstanding Voltage: 2.2KV
- Operating temperature: -40°C to +115°C
- Soldering temperature: 260°C±5°C/5 Sec
- Safety Approval:



SECTION C-C

PART NO.: KP xx 0 1 x 0 00J0 G

N = Number of poles
Dim A=Nx6.35
Dim B=(N-1)x6.35

Poles	Dim L	Dim B
3P/5P	±0.20	±0.15
7P/9P/11P	±0.30	±0.25
13P/15P	±0.40	±0.35

End Stackable	No. of poles	Body Color	RoHS compliant
0	2	Black (RAL9005)	(lead<4%) In copper Alloy
03	3 poles	Red (RAL3001/D)	
05	5 poles	Orange(RAL2011/P)	
...	...	4 Yellow(RAL1018/A)	
15	15 poles	5 Green(RAL6018/T)	
		6 Blue (RAL5015/A)	
		8 Grey(RAL7035/D)	
		9 White(RAL1102)	
		C Green(RAL6018/U)	

mat'l. code				surface ASME Y14.5		tolerance ASME Y14.5		projection		product family TERMINAL BLOCK	
ltr	ecn no	dr	date	tolerances unless otherwise specified						title	
				angles	X.±0.5		MM		TERMINAL BLOCK		
				X'±1"	X.X±0.3		scale		RISING CLAMP,180D WIRE INLET,INTERLACE,ODD POLES		
					X.XX±0.1		scale		sheet 2 of 2 size		
		dr	EVIN ZHONG	041414				dwg no		KPxx01x000J0G	
		enr	EVIN ZHONG	041414				sheet 2 of 2 size		A4	
		chr	HANKE FENG	041414				type		CUSTOMER Drawing	
		appd	SHI JUN	041414							
sheet index	revision sheet	A	2								