



Chipsmall Limited consists of a professional team with an average of over 10 year of expertise in the distribution of electronic components. Based in Hongkong, we have already established firm and mutual-benefit business relationships with customers from,Europe,America and south Asia,supplying obsolete and hard-to-find components to meet their specific needs.

With the principle of “Quality Parts,Customers Priority,Honest Operation,and Considerate Service”,our business mainly focus on the distribution of electronic components. Line cards we deal with include Microchip,ALPS,ROHM,Xilinx,Pulse,ON,Everlight and Freescale. Main products comprise IC,Modules,Potentiometer,IC Socket,Relay,Connector.Our parts cover such applications as commercial,industrial, and automotives areas.

We are looking forward to setting up business relationship with you and hope to provide you with the best service and solution. Let us make a better world for our industry!



Contact us

Tel: +86-755-8981 8866 Fax: +86-755-8427 6832

Email & Skype: info@chipsmall.com Web: www.chipsmall.com

Address: A1208, Overseas Decoration Building, #122 Zhenhua RD., Futian, Shenzhen, China



KR Supercapacitors

Coin cells



Features and benefits

- High specific capacitance
- Low leakage current
- Long cycle life
- Eco-friendly

Applications

- Computers and peripherals
- Network switches and routers
- Utility meters
- HVAC Controls
- Appliances and white goods
- Real-time clock backup
- Office equipment

Description

Eaton supercapacitors are high reliability, high power, ultra-high capacitance energy storage devices utilizing electrochemical double layer capacitor (EDLC) construction combined with proprietary materials and processes. This combination of advanced technologies allows Eaton to offer a wide variety of capacitor solutions tailored to applications for backup power, pulse power and hybrid power systems. They can be applied as the sole energy storage or in combination with batteries to optimize cost, life time and run time. System requirements can range from a few microwatts to megawatts. All products feature low ESR for high power density with environmentally friendly materials for a green power solution. Eaton supercapacitors are maintenance-free with design lifetimes up to 20 years and operating temperatures down to -40 °C and up to +85 °C.



Powering Business Worldwide

Specifications

| | |
|--------------------------------------|------------------------------------------------------------|
| Capacitance | 0.1 F to 1.5 F |
| Maximum working voltage | 5.5 V |
| Surge voltage | 6.3 V |
| Capacitance tolerance | -20% to +80% +20 °C |
| Operating temperature range | -25 °C to +70 °C |
| Extended operating temperature range | -25 °C to +85 °C (with voltage derating to 3.6 V @ +85 °C) |

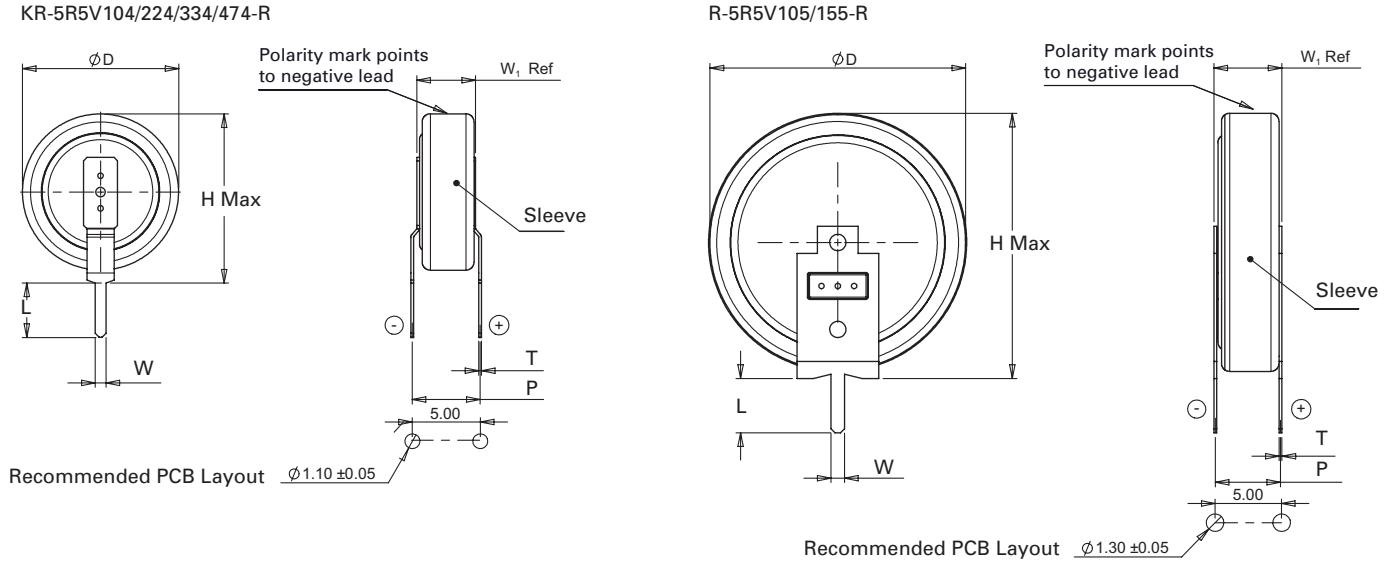
Standard Product

| Capacitance (F) | Part number | Type | Lead length | Max. initial DC ESR (Ω) (Equivalent Series Resistance) measured @ 1kHz | Typical mass (g) |
|-----------------|---------------|-------------|-------------|---------------------------------------------------------------------------------|------------------|
| 0.1 | KR-5R5V104-R | Vertical | Standard | 75 | 1.4 |
| 0.1 | KR-5R5H104-R | Horizontal | Standard | 75 | 1.4 |
| 0.1 | KR-5R5C104-R | Cylindrical | Standard | 75 | 3.3 |
| 0.1 | KR-5R5C104H-R | Cylindrical | Short | 75 | 3.3 |
| 0.22 | KR-5R5V224-R | Vertical | Standard | 75 | 1.4 |
| 0.22 | KR-5R5H224-R | Horizontal | Standard | 75 | 1.4 |
| 0.22 | KR-5R5C224-R | Cylindrical | Standard | 75 | 3.3 |
| 0.22 | KR-5R5C224H-R | Cylindrical | Short | 75 | 3.3 |
| 0.33 | KR-5R5V334-R | Vertical | Standard | 50 | 1.4 |
| 0.33 | KR-5R5H334-R | Horizontal | Standard | 50 | 1.4 |
| 0.33 | KR-5R5C334-R | Cylindrical | Standard | 50 | 3.3 |
| 0.33 | KR-5R5C334H-R | Cylindrical | Short | 50 | 3.3 |
| 0.47 | KR-5R5V474-R | Vertical | Standard | 50 | 1.4 |
| 0.47 | KR-5R5H474-R | Horizontal | Standard | 50 | 1.4 |
| 0.47 | KR-5R5C474-R | Cylindrical | Standard | 50 | 3.3 |
| 0.47 | KR-5R5C474H-R | Cylindrical | Short | 50 | 3.3 |
| 1.0 | KR-5R5V105-R | Vertical | Standard | 30 | 4.2 |
| 1.0 | KR-5R5H105-R | Horizontal | Standard | 30 | 4.2 |
| 1.0 | KR-5R5C105-R | Cylindrical | Standard | 30 | 9.1 |
| 1.0 | KR-5R5C105H-R | Cylindrical | Short | 30 | 9.1 |
| 1.5 | KR-5R5V155-R | Vertical | Standard | 30 | 4.2 |
| 1.5 | KR-5R5H155-R | Horizontal | Standard | 30 | 4.2 |
| 1.5 | KR-5R5C155-R | Cylindrical | Standard | 30 | 9.1 |
| 1.5 | KR-5R5C155H-R | Cylindrical | Short | 30 | 9.1 |

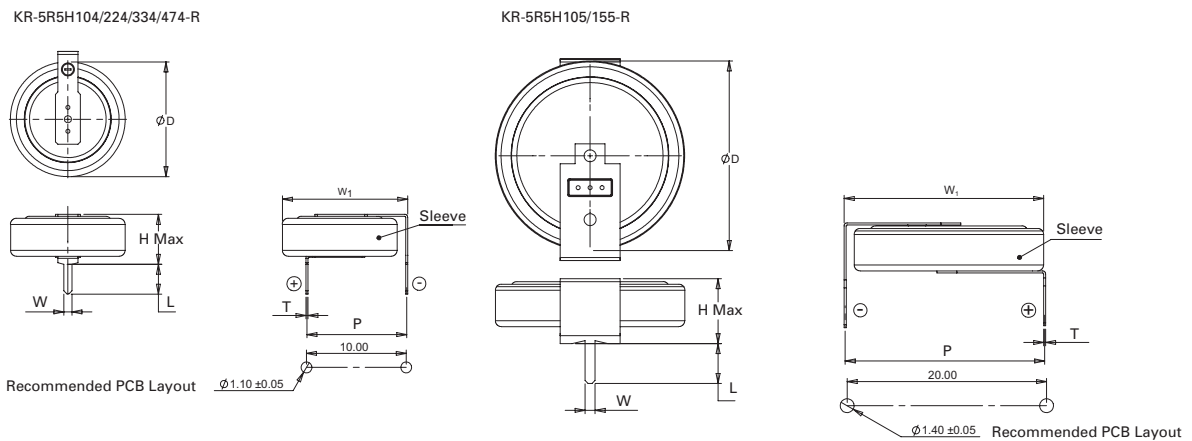
Performance

| Parameter | Capacitance Change (% of initial value) | ESR (% of max. initial value) |
|---------------------------------------------|-----------------------------------------|-------------------------------|
| Life — +70 °C @ 5.5 Vdc, 1000 hours | ≤ 30% | ≤ 400% |
| Life — +85 °C @ 3.6 Vdc, 2000 hours | ≤ 30% | ≤ 400% |
| Storage Life — -25 °C to +70 °C, 1000 hours | ≤ 30% | ≤ 400% |

Dimensions (mm)



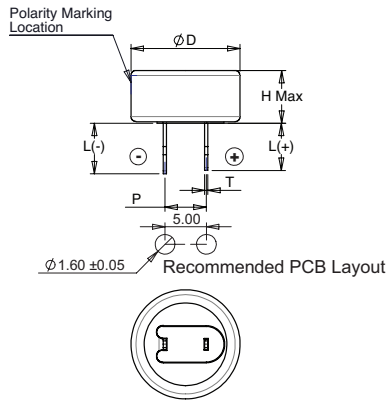
| Part Number | Ø D ±0.2 | H Max | L ±0.1 | P ±0.3 | T | W±0.1 | W1 Ref. |
|--------------|----------|-------|--------|--------|-----|-------|---------|
| KR-5R5V104-R | 11.5 | 12.7 | 4.0 | 5.0 | 0.2 | 0.8 | 4.3 |
| KR-5R5V224-R | 11.5 | 12.7 | 4.0 | 5.0 | 0.2 | 0.8 | 4.3 |
| KR-5R5V334-R | 11.5 | 12.7 | 4.0 | 5.0 | 0.2 | 0.8 | 4.3 |
| KR-5R5V474-R | 11.5 | 12.7 | 4.0 | 5.0 | 0.2 | 0.8 | 4.3 |
| KR-5R5V105-R | 19.0 | 19.7 | 4.0 | 5.0 | 0.2 | 1.0 | 5.0 |
| KR-5R5V155-R | 19.0 | 19.7 | 4.0 | 5.0 | 0.2 | 1.0 | 5.0 |



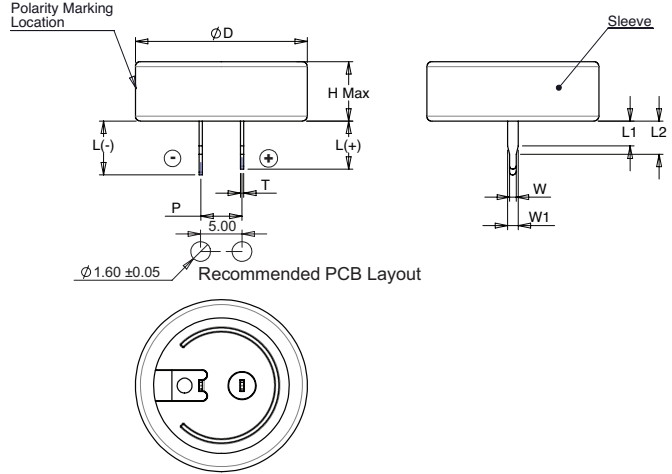
| Part Number | Ø D ±0.2 | H Max | L ±0.1 | P | T | W±0.1 | W1 ±0.5. |
|--------------|----------|-------|--------|----------|-----|-------|----------|
| KR-5R5H104-R | 11.5 | 5.2 | 3.0 | 10.0±0.3 | 0.2 | 0.8 | 12.4 |
| KR-5R5H224-R | 11.5 | 5.2 | 3.0 | 10.0±0.3 | 0.2 | 0.8 | 12.4 |
| KR-5R5H334-R | 11.5 | 5.2 | 3.0 | 10.0±0.3 | 0.2 | 0.8 | 12.4 |
| KR-5R5H474-R | 11.5 | 5.2 | 3.0 | 10.0±0.3 | 0.2 | 0.8 | 12.4 |
| KR-5R5H105-R | 19.0 | 6.7 | 4.0 | 20.0±0.5 | 0.2 | 1.0 | 20.0 |
| KR-5R5H155-R | 19.0 | 6.7 | 4.0 | 20.0±0.5 | 0.2 | 1.0 | 20.0 |

Dimensions (mm)

KR-5R5C104/224/334/474-R



KR-5R5C105/155-R



C Type (cylindrical)

| Part Number | Ø D Max | H Max | L (-) ±0.2 | L (+) ±0.2 | P ±0.3 | T ±0.05 | L1 ±0.10 | L2 ±0.10 | W ±0.06 | W1 ±0.06 |
|---------------|---------|-------|------------|------------|--------|---------|----------|----------|---------|----------|
| KR-5R5C104-R | 13.5 | 6.5 | 6.1 | 5.7 | 5.0 | 0.4 | 3.0 | 4.0 | 0.8 | 1.3 |
| KR-5R5C104H-R | 13.5 | 6.5 | 3.3 | 3.3 | 5.0 | 0.4 | 0.9 | 1.9 | 0.8 | 1.3 |
| KR-5R5C224-R | 13.5 | 6.5 | 6.1 | 5.7 | 5.0 | 0.4 | 3.0 | 4.0 | 0.8 | 1.3 |
| KR-5R5C224H-R | 13.5 | 6.5 | 3.3 | 3.3 | 5.0 | 0.4 | 0.9 | 1.9 | 0.8 | 1.3 |
| KR-5R5C334-R | 13.5 | 6.5 | 6.1 | 5.7 | 5.0 | 0.4 | 3.0 | 4.0 | 0.8 | 1.3 |
| KR-5R5C334H-R | 13.5 | 6.5 | 3.3 | 3.3 | 5.0 | 0.4 | 0.9 | 1.9 | 0.8 | 1.3 |
| KR-5R5C474-R | 13.5 | 6.5 | 6.1 | 5.7 | 5.0 | 0.4 | 3.0 | 4.0 | 0.8 | 1.3 |
| KR-5R5C474H-R | 13.5 | 6.5 | 3.3 | 3.3 | 5.0 | 0.4 | 0.9 | 1.9 | 0.8 | 1.3 |
| KR-5R5C105-R | 21.5 | 7.1 | 6.5 | 5.8 | 5.0 | 0.4 | 3.0 | 4.0 | 0.8 | 1.3 |
| KR-5R5C105H-R | 21.5 | 7.1 | 3.3 | 3.3 | 5.0 | 0.4 | 0.8 | 1.8 | 0.8 | 1.3 |
| KR-5R5C155-R | 21.5 | 7.1 | 6.5 | 5.8 | 5.0 | 0.4 | 3.0 | 4.0 | 0.8 | 1.3 |
| KR-5R5C155H-R | 21.5 | 7.1 | 3.3 | 3.3 | 5.0 | 0.4 | 0.8 | 1.8 | 0.8 | 1.3 |

Part numbering system

| KR | 5 | R | 5 | □ | □ | □ | H* | -R |
|-------------|----------------------------|------------------------------------------------------------------|--------------------------------------|---|-------------------|----------------|----|----|
| Family Code | Voltage (V) R = Decimal | Configuration V = Vertical H = Horizontal C=Cylindrical | Capacitance (µF) | | Short lead length | RoHS Compliant | | |
| | Value | | Multiplier | | | | | |
| | 5R5 = 5.5 V | | Example: 474 = 47 x 104 µF or 0.47 F | | | | | |

* Applies to cylindrical part numbers only. If ordering vertical or horizontal types, or standard lead length on cylindrical type, omit "H" from part number.

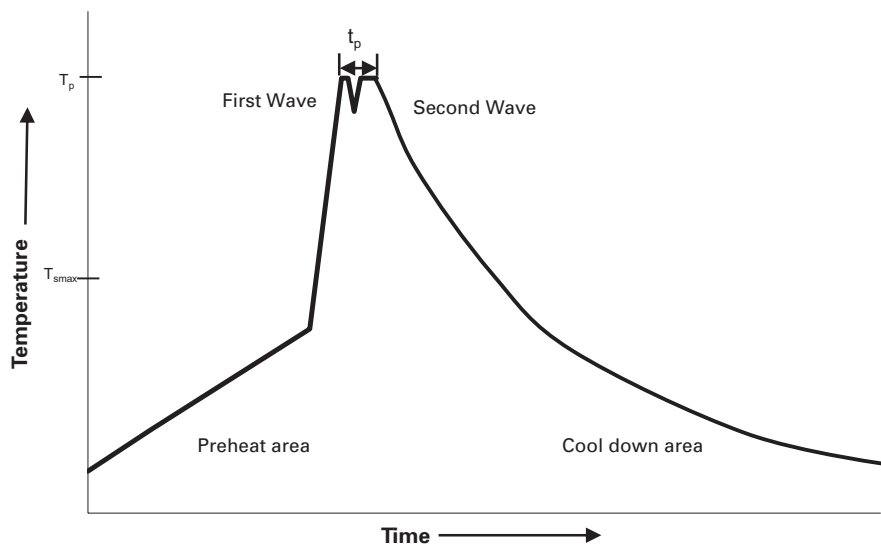
Packaging information

- Standard packaging: 500 pieces per package
- For 0.1 F to 0.47 F, 500 pieces per bag
- For 1.0 F to 1.5 F, 100 pieces per tray, 5 trays per box

Part marking

- Manufacturer
- Capacitance (F)
- Max operating voltage (V)
- Polarity

Wave solder profile



| Profile Feature | Standard SnPb Solder | Lead (Pb) Free Solder |
|-------------------------------------|-------------------------------------------|-------------------------------------------|
| Preheat and soak | | |
| • Temperature max. (T_{smax}) | 100 °C | 100 °C |
| • Time max. | 60 seconds | 60 seconds |
| Δ preheat to max Temperature | 160 °C max. | 160 °C max. |
| Peak temperature (T_p)* | 235 °C – 260 °C | 250 °C – 260 °C |
| Time at peak temperature (t_p) | 10 seconds max 5 seconds max each wave | 10 seconds max 5 seconds max each wave |
| Ramp-down rate | ~ 2 K/s min ~3.5 K/s typ ~5 K/s max | ~ 2 K/s min ~3.5 K/s typ ~5 K/s max |
| Time 25 °C to 25 °C | 4 minutes | 4 minutes |

Manual solder

Do not touch the supercapacitor's external sleeve with the soldering rod or the sleeve will melt or crack. The recommended temperature of the soldering rod tip is less than 260 °C (maximum: 350 °C) and the soldering duration should be less than 5 seconds. Minimize the time that the soldering iron is in direct contact with the terminals of the supercapacitor as excessive heating of the leads may lead to higher equivalent series resistance (ESR).

Reflow soldering

Do not use reflow soldering using infrared or convection oven heating methods.

Cleaning/Washing

Avoid cleaning of circuit boards, however if the circuit board must be cleaned use static or ultrasonic immersion in a standard circuit board cleaning fluid for no more than 5 minutes and a maximum temperature of +60 °C. Afterwards thoroughly rinse and dry the circuit boards. In general, treat supercapacitors in the same manner you would an aluminum electrolytic capacitor.

Life Support Policy: Eaton does not authorize the use of any of its products for use in life support devices or systems without the express written approval of an officer of the Company. Life support systems are devices which support or sustain life, and whose failure to perform, when properly used in accordance with instructions for use provided in the labeling, can be reasonably expected to result in significant injury to the user.

Eaton reserves the right, without notice, to change design or construction of any products and to discontinue or limit distribution of any products. Eaton also reserves the right to change or update, without notice, any technical information contained in this bulletin.

Eaton
Electronics Division
1000 Eaton Boulevard
Cleveland, OH 44122
United States
www.eaton.com/electronics

© 2016 Eaton
All Rights Reserved
Printed in USA
Publication No. 4327
September 2016