



Chipsmall Limited consists of a professional team with an average of over 10 year of expertise in the distribution of electronic components. Based in Hongkong, we have already established firm and mutual-benefit business relationships with customers from,Europe,America and south Asia,supplying obsolete and hard-to-find components to meet their specific needs.

With the principle of "Quality Parts,Customers Priority,Honest Operation,and Considerate Service",our business mainly focus on the distribution of electronic components. Line cards we deal with include Microchip,ALPS,ROHM,Xilinx,Pulse,ON,Everlight and Freescale. Main products comprise IC,Modules,Potentiometer,IC Socket,Relay,Connector.Our parts cover such applications as commercial,industrial, and automotives areas.

We are looking forward to setting up business relationship with you and hope to provide you with the best service and solution. Let us make a better world for our industry!



Contact us

Tel: +86-755-8981 8866 Fax: +86-755-8427 6832

Email & Skype: info@chipsmall.com Web: www.chipsmall.com

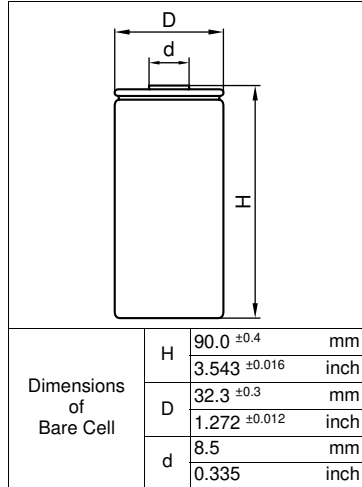
Address: A1208, Overseas Decoration Building, #122 Zhenhua RD., Futian, Shenzhen, China



SANYO

Cadnica

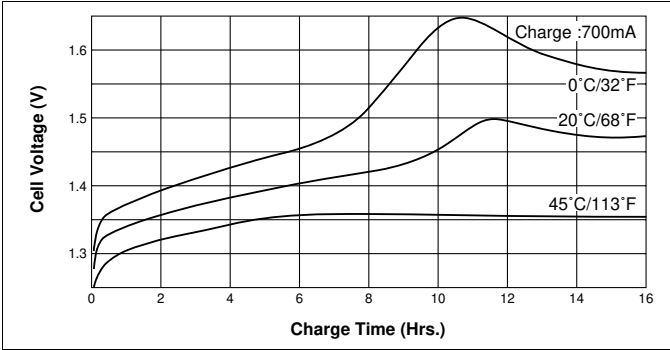
Cell Type KR-7000F Specifications



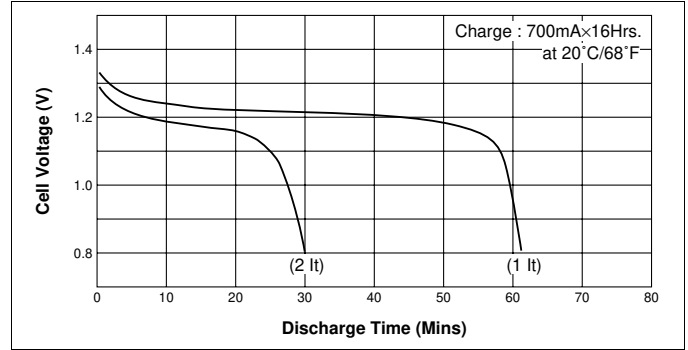
Nominal Capacity		7000mAh
Nominal Voltage		1.2V
Charging Current		700mA
Charging Time		14 to 16Hrs.
Ambient Temperature	Charge	0°C to +45°C [+32°F to 113°F]
	Discharge	-20°C to +60°C [-4°F to 140°F]
	Storage	-30°C to +50°C [-22°F to 122°F]
Internal Impedance (Av.) (at 50% discharge)		3.4mΩ (at 1000Hz)
Weight		224g/7.90oz
Dimensions(D)×(H) (with tube)		33.2 ⁰ _{-0.9} × 91.0 ⁰ _{-1.4} mm 1.31 ⁰ _{-0.04} × 3.58 ⁰ _{-0.06} inch

Typical Characteristics

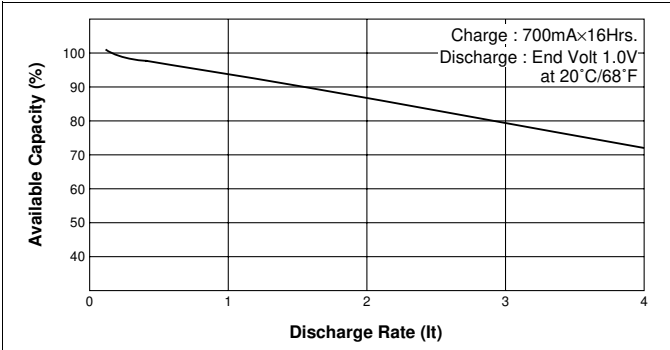
Charge



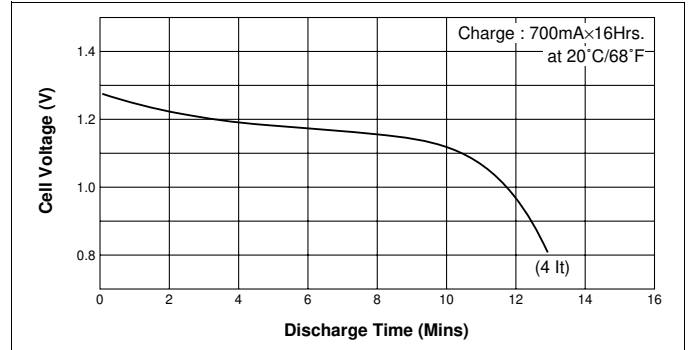
Discharge (at high rate)



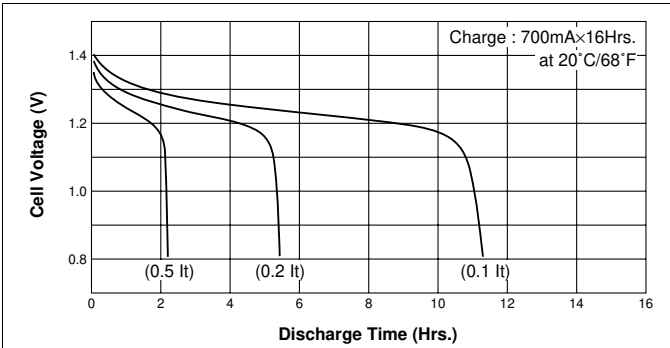
Cell Capacity (at various discharge rate)



Discharge (at high rate)



Discharge (at low rate)



Temperature (Charge & Discharge)

