



Chipsmall Limited consists of a professional team with an average of over 10 year of expertise in the distribution of electronic components. Based in Hongkong, we have already established firm and mutual-benefit business relationships with customers from,Europe,America and south Asia,supplying obsolete and hard-to-find components to meet their specific needs.

With the principle of "Quality Parts,Customers Priority,Honest Operation,and Considerate Service",our business mainly focus on the distribution of electronic components. Line cards we deal with include Microchip,ALPS,ROHM,Xilinx,Pulse,ON,Everlight and Freescale. Main products comprise IC,Modules,Potentiometer,IC Socket,Relay,Connector.Our parts cover such applications as commercial,industrial, and automotives areas.

We are looking forward to setting up business relationship with you and hope to provide you with the best service and solution. Let us make a better world for our industry!



Contact us

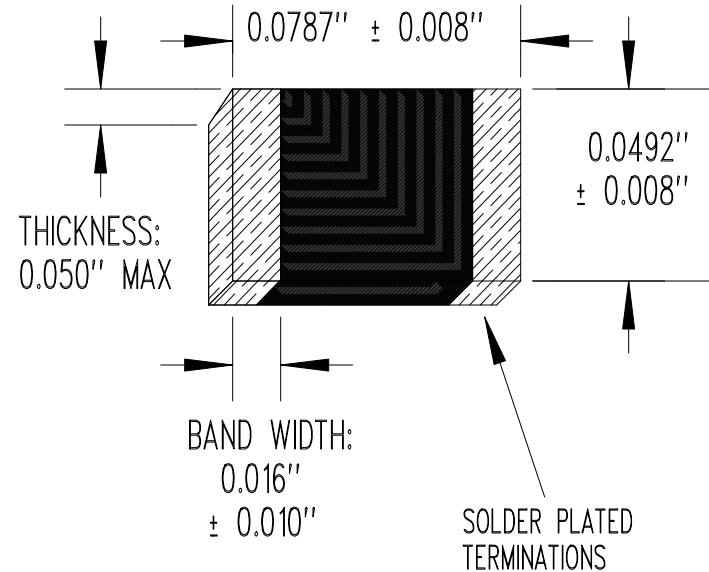
Tel: +86-755-8981 8866 Fax: +86-755-8427 6832

Email & Skype: info@chipsmall.com Web: www.chipsmall.com

Address: A1208, Overseas Decoration Building, #122 Zhenhua RD., Futian, Shenzhen, China



RESISTANCE/TEMPERATURE TABLE			
TEMP (°C)	RESIS (Ω)	TEMP (°C)	RESIS (Ω)
-40	249,474	45	4,667
-35	184,548	50	3,897
-30	138,020	55	3,266
-25	104,292	60	2,748
-20	79,576	65	2,319
-15	61,278	70	1,964
-10	47,598	75	1,669
-5	37,278	80	1,422
0	29,424	85	1,216
5	23,397	90	1,046
10	18,735	95	902.5
15	15,103	100	781.5
20	12,252	105	678.9
25	10,000	110	591.6
30	8,212	115	517.0
35	6,774	120	453.2
40	5,612	125	398.3



"C"	POWER RATING WAS 300 mW	09/25/17	MW
"B"	ADDED RESISTANCE VERSUS TEMPERATURE CHART	07/13/04	DD
"A"	ADDED BANDWIDTH DIMENSION	11/14/03	DD
NONE	RELEASE TO PRODUCTION	01/08/04	DD
REV	REVISION RECORD	DATE	APP

RESISTANCE @ +25°C = 10,000 Ω ± 5%
 BETA "β" (+25 TO +85°C) = 3,750°K NOMINAL
 BETA "β" (+25 TO +50°C) = 3,712°K NOMINAL
 POWER RATING = 240 mW
 OPERATING TEMPERATURE RANGE = -40 TO +125°C

SEE MANUFACTURING SPECIFICATION (LAYER 1)

SCALE	NONE	U.S. SENSOR CORP. 1832 W. COLLINS AVE. ORANGE, CA. 92867 714-639-1000 www.ussensor.com
DRAWN BY	DAN DANKERT	
DATE	06/13/03	
REV.	"C"	
LAYER	0 OF 2	
		NTC CHIP THERMISTOR
		P/N KR103GOJ