



Chipsmall Limited consists of a professional team with an average of over 10 year of expertise in the distribution of electronic components. Based in Hongkong, we have already established firm and mutual-benefit business relationships with customers from,Europe,America and south Asia,supplying obsolete and hard-to-find components to meet their specific needs.

With the principle of “Quality Parts,Customers Priority,Honest Operation,and Considerate Service”,our business mainly focus on the distribution of electronic components. Line cards we deal with include Microchip,ALPS,ROHM,Xilinx,Pulse,ON,Everlight and Freescale. Main products comprise IC,Modules,Potentiometer,IC Socket,Relay,Connector.Our parts cover such applications as commercial,industrial, and automotives areas.

We are looking forward to setting up business relationship with you and hope to provide you with the best service and solution. Let us make a better world for our industry!



Contact us

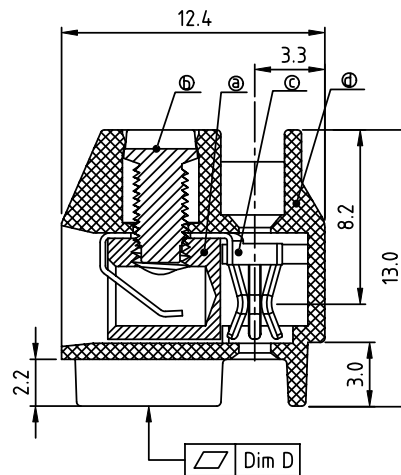
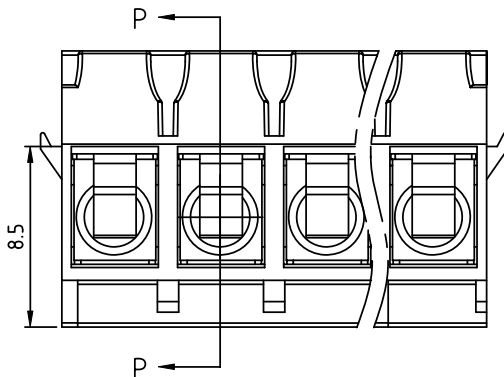
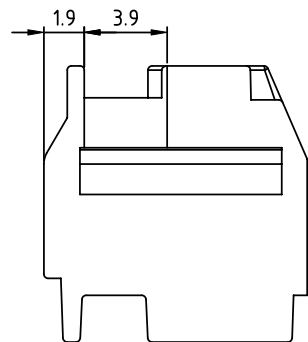
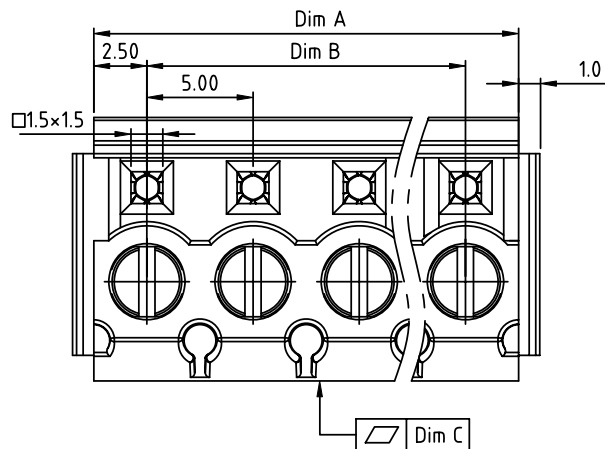
Tel: +86-755-8981 8866 Fax: +86-755-8427 6832

Email & Skype: info@chipsmall.com Web: www.chipsmall.com

Address: A1208, Overseas Decoration Building, #122 Zhenhua RD., Futian, Shenzhen, China



| | |
|----------------|---------|
| PRODUCT NUMBER | PITCH |
| KRxx01x100J0G | 5.00 mm |



Section P-P

Material

- Item ① Clamp: Brass(CuZn) Ni plated
- Item ② Terminal screw: Steel Zinc plating "-" slot type
- Item ③ Female contact: PhBz (CuSn) Tin plated
- Item ④ Terminal (housing): Thermoplastic (UL94V-0)

Electrical cULus

- Voltage rating: 300V
- Current rating: 10A
- Wire range:
 - Solid wire(AWG): 14-26
 - Stranded wire(AWG): 14-26
- Torque: 3.5Lb-In
- Screw: M2.6
- Wire strip length: 5-6mm
- Withstanding Voltage: 1.6KV
- Operating temperature: -40°C to +115°C
- Safety Approval:

PART NO.: KR xx 01 x 1 00J0 G

N = Number of poles

Dim A=Nx5.0

Dim B=(N-1)x5.0

| poles | Tolerance | Dim C | Dim D |
|--------|-----------|-------|-------|
| 2P | ±0.05 | ≤0.05 | ≤0.05 |
| 3-6p | ±0.15 | ≤0.10 | ≤0.10 |
| 7-12p | ±0.20 | ≤0.20 | ≤0.20 |
| 13-18p | ±0.30 | ≤0.20 | ≤0.20 |
| 19-24p | ±0.40 | ≤0.40 | ≤0.40 |

| Solid block | No. of poles | Body Color | RoHS compliant |
|-------------|--------------|-------------------|-----------------|
| 0 | 2 poles | Black (RAL9005) | (lead<4%) |
| 2 | 3 poles | Red (RAL3001/D) | In copper Alloy |
| 3 | ... | Orange(RAL2011/P) | |
| 4 | 24 poles | Yellow(RAL1018/A) | |
| 5 | | Green(RAL6018/T) | |
| 6 | | Blue (RAL5015/A) | |
| 8 | | Grey(RAL7035/D) | |
| 9 | | White(RAL1102) | |
| C | | Green(RAL6018/U) | |

| | | | | | | |
|--------------------|----------------|---------------------------------------|-------------------------|------------|-------------------------------------------------|------------------|
| mat'l. code | | surface ASME Y14.5 | tolerance ASME Y14.5 | projection | product family | |
| ltr ecn no dr date | | tolerances unless otherwise specified | | | TERMINAL BLOCK | |
| | | angles | X.±0.5 | MM | title | |
| | | fil | X.X±0.3 | | TERMINAL BLOCK | |
| | | X*±1" | X.XX±0.1 | scale | PLUGGABLE,180D WIRE INLET,SOLID BLOCK,WITH HOOK | |
| | | dr | EVIN ZHONG 041614 | | sheet 1 of 1 size | |
| | | enr | EVIN ZHONG 041614 | | KRxx01x100J0G | A4 |
| | | chr | HANKE FENG 041614 | | | CUSTOMER Drawing |
| | | appd | SHI JUN 041614 | | | |
| sheet index | revision sheet | A | 1 | | | |