



Chipsmall Limited consists of a professional team with an average of over 10 year of expertise in the distribution of electronic components. Based in Hongkong, we have already established firm and mutual-benefit business relationships with customers from,Europe,America and south Asia,supplying obsolete and hard-to-find components to meet their specific needs.

With the principle of “Quality Parts,Customers Priority,Honest Operation,and Considerate Service”,our business mainly focus on the distribution of electronic components. Line cards we deal with include Microchip,ALPS,ROHM,Xilinx,Pulse,ON,Everlight and Freescale. Main products comprise IC,Modules,Potentiometer,IC Socket,Relay,Connector.Our parts cover such applications as commercial,industrial, and automotives areas.

We are looking forward to setting up business relationship with you and hope to provide you with the best service and solution. Let us make a better world for our industry!



Contact us

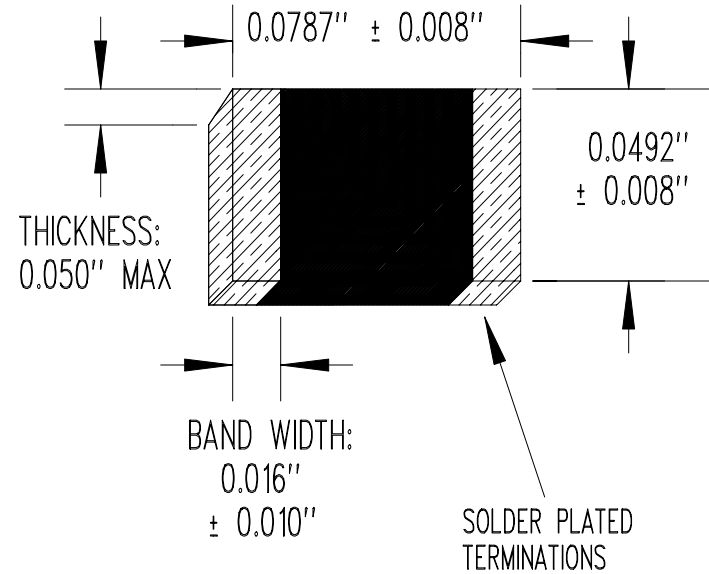
Tel: +86-755-8981 8866 Fax: +86-755-8427 6832

Email & Skype: info@chipsmall.com Web: www.chipsmall.com

Address: A1208, Overseas Decoration Building, #122 Zhenhua RD., Futian, Shenzhen, China



RESISTANCE/TEMPERATURE TABLE			
TEMP (°C)	RESIS (Ω)	TEMP (°C)	RESIS (Ω)
-40	9,428	45	253.0
-35	7,151	50	216.0
-30	5,480	55	185.3
-25	4,240	60	159.7
-20	3,311	65	138.2
-15	2,607	70	120.1
-10	2,070	75	104.7
-5	1,656	80	91.66
0	1,335	85	80.52
5	1,083	90	70.99
10	884.8	95	62.79
15	727.3	100	55.71
20	601.3	105	49.59
25	500.0	110	44.26
30	418.3	115	39.62
35	351.9	120	35.57
40	297.6	125	32.01



RESISTANCE @ +25°C = 500 Ω ± 5%
 BETA "β" (+25 TO +85°C) = 3,250°K NOMINAL
 POWER RATING = 300 mW
 OPERATING TEMPERATURE RANGE = -40 TO +125°C

SEE MANUFACTURING SPECIFICATION (LAYER 1)

NONE	RELEASE TO PRODUCTION	09/29/04	DD
REV	REVISION RECORD	DATE	APP

SCALE NONE	U.S. SENSOR CORP. 1832 W. COLLINS AVE. ORANGE, CA. 92867 714-639-1000 www.ussensor.com
DRAWN BY DAN DANKERT	
DATE 09/29/04	
REV. NONE	
LAYER 0 OF 2	
THERMISTOR, NTC CHIP	
P/N KR501DOJ	