

Chipsmall Limited consists of a professional team with an average of over 10 year of expertise in the distribution of electronic components. Based in Hongkong, we have already established firm and mutual-benefit business relationships with customers from,Europe,America and south Asia,supplying obsolete and hard-to-find components to meet their specific needs.

With the principle of “Quality Parts,Customers Priority,Honest Operation,and Considerate Service”,our business mainly focus on the distribution of electronic components. Line cards we deal with include Microchip,ALPS,ROHM,Xilinx,Pulse,ON,Everlight and Freescale. Main products comprise IC,Modules,Potentiometer,IC Socket,Relay,Connector.Our parts cover such applications as commercial,industrial, and automotives areas.

We are looking forward to setting up business relationship with you and hope to provide you with the best service and solution. Let us make a better world for our industry!



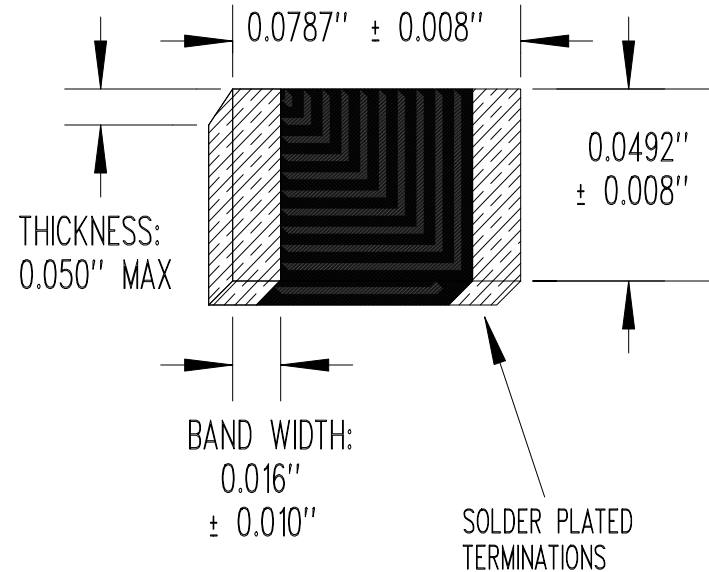
## Contact us

Tel: +86-755-8981 8866 Fax: +86-755-8427 6832

Email & Skype: [info@chipsmall.com](mailto:info@chipsmall.com) Web: [www.chipsmall.com](http://www.chipsmall.com)

Address: A1208, Overseas Decoration Building, #122 Zhenhua RD., Futian, Shenzhen, China

RESISTANCE/TEMPERATURE TABLE			
TEMP (°C)	RESIS (Ω)	TEMP (°C)	RESIS (Ω)
-40	1,751,230	45	21,122
-35	1,265,506	50	17,278
-30	923,946	55	14,209
-25	681,159	60	11,745
-20	506,809	65	9,755
-15	380,388	70	8,140
-10	287,873	75	6,824
-5	219,579	80	5,744
0	168,742	85	4,856
5	130,602	90	4,124
10	101,769	95	3,516
15	79,817	100	3,009
20	62,987	105	2,585
25	50,000	110	2,228
30	39,938	115	1,928
35	32,104	120	1,673
40	25,965	125	1,456



RESISTANCE @ +25°C = 50,000 Ω ± 5%  
 BETA "β" (+25 TO +85°C) = 4,150°K NOMINAL  
 POWER RATING = 240 mW  
 OPERATING TEMPERATURE RANGE = -40 TO +125°C

SEE MANUFACTURING SPECIFICATION (LAYER 1)

A	POWER RATING WAS 300 mW	09/14/17	MW
NONE	RELEASE TO PRODUCTION	02/26/04	DD
REV	REVISION RECORD	DATE	APP

SCALE NONE	<b>U.S. SENSOR CORP.</b> 1832 W. COLLINS AVE. ORANGE, CA. 92867 714-639-1000 www.ussensor.com
DRAWN BY DAN DANKERT	
DATE 02/26/04	
REV. A	
LAYER 0 OF 2	
THERMISTOR, NTC CHIP	
P/N KR503LOJ	