



Chipsmall Limited consists of a professional team with an average of over 10 year of expertise in the distribution of electronic components. Based in Hongkong, we have already established firm and mutual-benefit business relationships with customers from,Europe,America and south Asia,supplying obsolete and hard-to-find components to meet their specific needs.

With the principle of “Quality Parts,Customers Priority,Honest Operation,and Considerate Service”,our business mainly focus on the distribution of electronic components. Line cards we deal with include Microchip,ALPS,ROHM,Xilinx,Pulse,ON,Everlight and Freescale. Main products comprise IC,Modules,Potentiometer,IC Socket,Relay,Connector.Our parts cover such applications as commercial,industrial, and automotives areas.

We are looking forward to setting up business relationship with you and hope to provide you with the best service and solution. Let us make a better world for our industry!



## Contact us

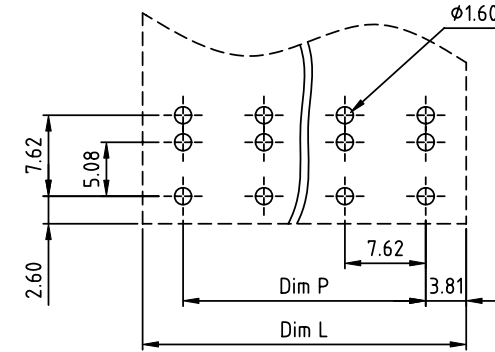
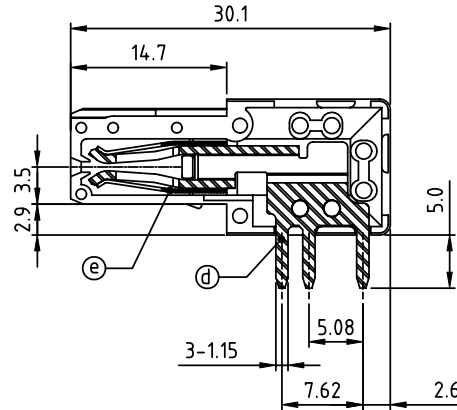
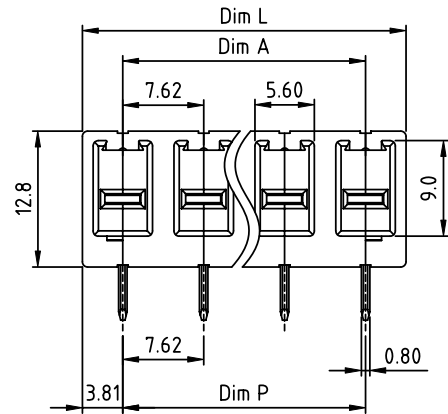
Tel: +86-755-8981 8866 Fax: +86-755-8427 6832

Email & Skype: info@chipsmall.com Web: www.chipsmall.com

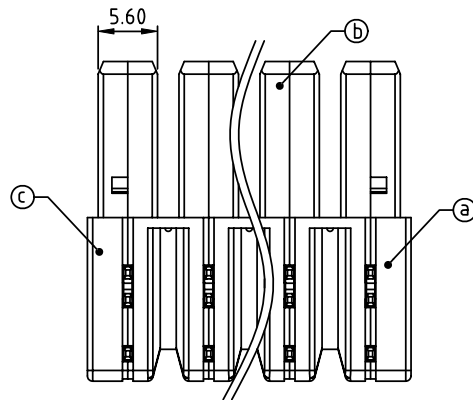
Address: A1208, Overseas Decoration Building, #122 Zhenhua RD., Futian, Shenzhen, China



PRODUCT NUMBER	PITCH
KSxx01x200J0G	7.62 mm



RECOMMENDED P.C.B LAYOUT  
TOP VIEW



Material:

- Item ① Left Cover :Thermoplastic (UL94 - V0)
- Item ② Middel Body :Thermoplastic (UL94 - V0)
- Item ③ Right Cover :Thermoplastic (UL94 - V0)
- Item ④ Pin: Copper Tin plated
- Item ⑤ Wire guard:Stainless Steel

Electrical: cULus

- Voltage rating:300V
- Current rating:41A
- Withstanding Voltage:1.6 KV
- Operating temperature:-40°C to +115°C
- Soldering temperature:260°C±5°C/5 Sec
- Safety Approval:

N=Number of poles

Dim L	N × 7.62
Dim P	(N-1) × 7.62
Dim A	(N-1) × 7.62

Dimension

Poles	Tolerance
2P-5P	±0.20
6P-8P	±0.30
9P-12P	±0.35
13P-16P	±0.40

PART NO.: **KSxx01x200J0G**

End stackable	0	Color	Black (RAL9005)	RoHS compliant	(lead<4%)
No. of poles	2		Red (RAL3001/D)	In copper Alloy	
	02		2 poles 3 Orange(RAL2011/P)		
	03		3 poles 4 Yellow(RAL1018/A)		
	...		5 Green(RAL6018/T)		
	16		16 poles 6 Blue (RAL5015/A)		
			8 Grey(RAL7035/D)		
			9 White(RAL1102)		
			C Green(RAL6018/U)		

mat'l. code		surface ASME Y14.5	tolerance ASME Y14.5	projection	product family
ltr	ecn no	dr	date		TERMINAL BLOCK
				tolerances unless otherwise specified	title
				angles	TERMINAL BLOCK
				parallelism	PLUGGABLE PLUG, WITH SOLDER PIN
				perpendicularity	RIGHT ANGLE, MOUNTING ONTO THE PCB
				X*±1"	scale
				dr	EVIN ZHONG 050614
				enr	EVIN ZHONG 050614
				chr	HANKE FENG 050614
				appd	SHI JUN 050614
sheet index		revision	A		dwg no
sheet		1			sheet 1 of 1
				size	A4
				type	CUSTOMER Drawing