



Chipsmall Limited consists of a professional team with an average of over 10 year of expertise in the distribution of electronic components. Based in Hongkong, we have already established firm and mutual-benefit business relationships with customers from,Europe,America and south Asia,supplying obsolete and hard-to-find components to meet their specific needs.

With the principle of “Quality Parts,Customers Priority,Honest Operation,and Considerate Service”,our business mainly focus on the distribution of electronic components. Line cards we deal with include Microchip,ALPS,ROHM,Xilinx,Pulse,ON,Everlight and Freescale. Main products comprise IC,Modules,Potentiometer,IC Socket,Relay,Connector.Our parts cover such applications as commercial,industrial, and automotives areas.

We are looking forward to setting up business relationship with you and hope to provide you with the best service and solution. Let us make a better world for our industry!



Contact us

Tel: +86-755-8981 8866 Fax: +86-755-8427 6832

Email & Skype: info@chipsmall.com Web: www.chipsmall.com

Address: A1208, Overseas Decoration Building, #122 Zhenhua RD., Futian, Shenzhen, China



Sealed Rocker Switch

Single (and Double)¹ Pole KS Series



Features

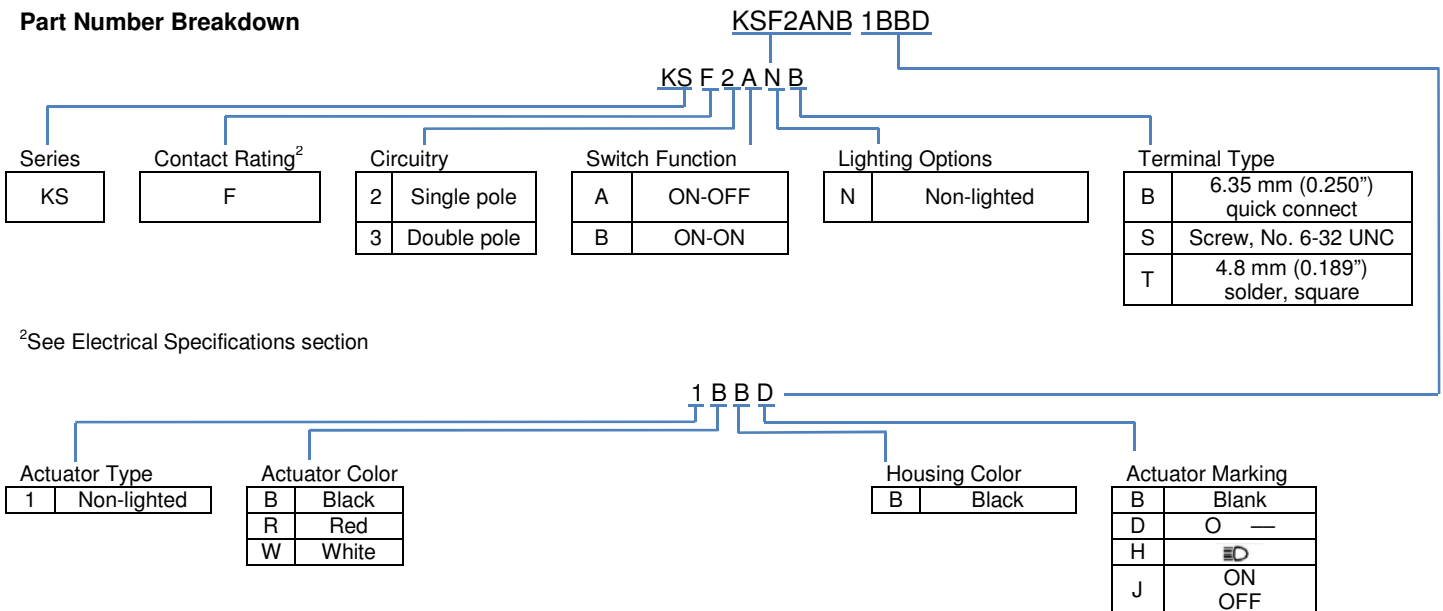
- Snap-in mounting
- RoHS compliant
- IP56
- 100,000 cycles mechanical life

Standard Parts¹

North America and Europe	
KSF2ANB1BBD	KSF2BNB1BBB

¹The part number configuration matrix below provides details to the part numbers above. For configurable part numbers that are not listed above, not listed in your region, or for custom part numbers, contact the factory or your distributor.

Part Number Breakdown



Electrical Specifications

Dielectric Strength	1500 VAC for 1 minute
Insulation Resistance	100 MΩ min at 500 VDC
Initial Contact Resistance	0.050 Ω max
Electrical Ratings	
UL1054	VDC ³
16 A 125 VAC / 10 A 277 VAC	21 A 14 VDC
¾ HP 125/277 VAC	

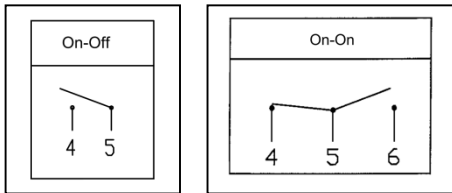
Electrical Life at Rated Load Minimum Operations	UL 6,000
--	----------

³DC ratings not agency approved
UL File No: E23301

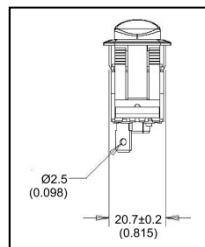
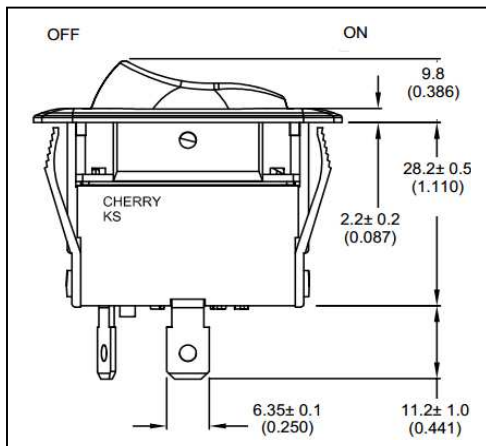
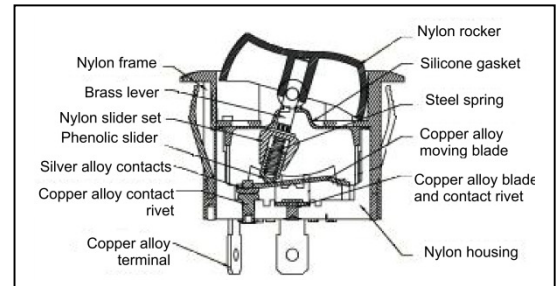
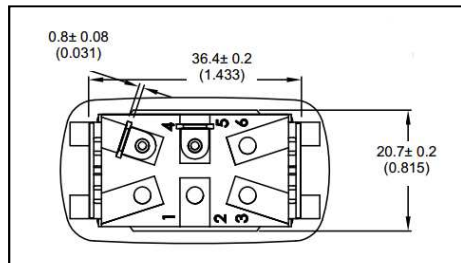
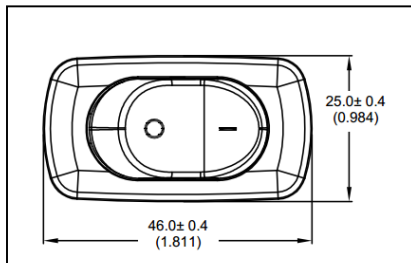
Material and Environmental Specifications

Actuator	Nylon 66 with Glass Fiber
Housing	Nylon 66 94 V-2
Bezel	Nylon 66 with Glass Fiber
Spring	Steel
Contacts	Silver Inlay Copper Alloy
Movable Arm	Silver-Plated Copper Alloy
Terminals	Silver-Plated Copper Alloy
Operating Temperature Range	-20 °C to +85 °C (-4 °F to +185 °F)
Ingress Protection	IP56

Circuitry and Switch Functions



Dimensions mm (inches)



Recommended Panel Cut-Out Dimensions

Panel thickness	Dimension Y	Dimension X
0.75 to 1.25 (0.030 to 0.049)	36.6+0.2 (1.441+0.004)	21.2+0.1 (0.835+0.004)
1.25 to 2.00 (0.049 to 0.079)	36.8+0.2 (1.449+0.004)	
2.00 to 3.00 (0.079 to 0.118)	37.0+0.2 (1.457+0.004)	