



Chipsmall Limited consists of a professional team with an average of over 10 year of expertise in the distribution of electronic components. Based in Hongkong, we have already established firm and mutual-benefit business relationships with customers from,Europe,America and south Asia,supplying obsolete and hard-to-find components to meet their specific needs.

With the principle of “Quality Parts,Customers Priority,Honest Operation,and Considerate Service”,our business mainly focus on the distribution of electronic components. Line cards we deal with include Microchip,ALPS,ROHM,Xilinx,Pulse,ON,Everlight and Freescale. Main products comprise IC,Modules,Potentiometer,IC Socket,Relay,Connector.Our parts cover such applications as commercial,industrial, and automotives areas.

We are looking forward to setting up business relationship with you and hope to provide you with the best service and solution. Let us make a better world for our industry!



## Contact us

Tel: +86-755-8981 8866 Fax: +86-755-8427 6832

Email & Skype: info@chipsmall.com Web: www.chipsmall.com

Address: A1208, Overseas Decoration Building, #122 Zhenhua RD., Futian, Shenzhen, China



# Supercapacitors

## KSL Series



### Description

Cooper Bussmann® PowerStor® supercapacitors are unique, ultra-high capacitance devices utilizing electrochemical double layer capacitor (EDLC) construction combined with new, high performance materials. This combination of advanced technologies allows Cooper Bussmann to offer a wide variety of capacitor solutions tailored to specific applications that range from a few micro-amps for several days to several amps for milliseconds.

### Features & Benefits

- Eco-friendly
- Compatible with lead free reflow solder (260°C Peak)
- Long cycle life
- High-rated voltage
- Small-sized and large capacity



### Applications

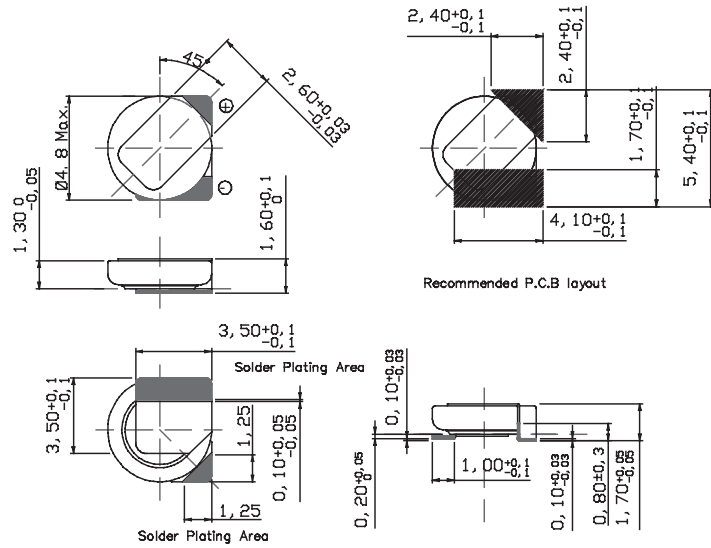
- RTC Back-up (MP3, PMP, MD player, DSC, wireless phone, pagers, PDA, cellular phone, etc.)
- Solar watch, solar calculators

Specifications	
Working Voltage	3.3V
Surge Voltage	3.3V
Nominal Capacitance	0.07F
Capacitance Tolerance	-20% to +80% (20°C)
Operating Temperature Range	-25°C to 60°C

Standard Product					
Nominal Capacitance (F)	Part Number	Nominal ESR ( $\Omega$ ) (Equivalent Series Resistance) Measured @1kHz	Nominal Dimensions (mm) Diameter	Thickness	Typical Mass (grams/piece)
0.07	KSL-3R3703S-R	100	4.8	1.4	0.08

Performance		
Parameter	Capacitance Change (% of initial measured value)	ESR ( $\Omega$ ) Measured @ 1kHz
Life (500 hrs @ 60°C @ 3.3Vdc)	$\leq 30\%$	$\leq 2000$
Storage - Low and High Temperature (1000 hrs @ -25°C and 60°C)	$\leq 30\%$	$\leq 2000$

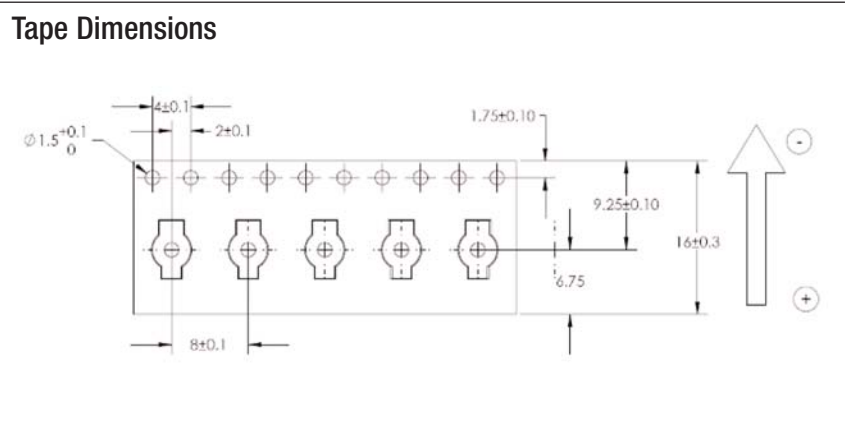
Dimensions - mm



Part Numbering System										
K	SL	-	3	R	3	70	3	S	-	R
Series Code	Version Dimensions		Voltage (V) R is Decimal		Capacitance (µF)		Terminal Type			RoHS Compliant
			Value		Multiplier					
K = Coin Cell	SL = SMT Miniature		3R3 = 3.3V		Example 703 = 70 x 10 <sup>3</sup> µF or 0.07F		S = Small			

**Packaging Information**  
Standard packaging: Tape & Reel, 4000 units per reel.

**Part Marking**  
Manufacturer  
Product Series & Size



**North America**  
Cooper Bussmann  
1225 Broken Sound Parkway NW  
Suite F  
Boca Raton, FL 33487-3533  
Tel: 1-561-998-4100  
Fax: 1-561-241-6640  
Toll Free: 1-888-414-2645

Cooper Bussmann  
P.O. Box 14460  
St. Louis, MO 63178-4460  
Tel: 1-636-394-2877  
Fax: 1-636-527-1607

**Europe**  
Cooper Bussmann  
Cooper (UK) Limited  
Burton-on-the-Wolds  
Leicestershire • LE12 5TH UK  
Tel: +44 (0) 1509 882 737  
Fax: +44 (0) 1509 882 786

Cooper Bussmann  
Avda. Santa Eulalia, 290  
08223  
Terrassa, (Barcelona), Spain  
Tel: +34 937 362 812  
+34 937 362 813  
Fax: +34 937 362 719

**Asia Pacific**  
Cooper Bussmann  
1 Jalan Kilang Timor  
#06-01 Pacific Tech Centre  
Singapore 159303  
Tel: +65 278 6151  
Fax: +65 270 4160

The only controlled copy of this Data Sheet is the electronic read-only version located on the Cooper Bussmann Network Drive. All other copies of this document are by definition uncontrolled. This bulletin is intended to clearly present comprehensive product data and provide technical information that will help the end user with design applications. Cooper Bussmann reserves the right, without notice, to change design or construction of any products and to discontinue or limit distribution of any products. Cooper Bussmann also reserves the right to change or update, without notice, any technical information contained in this bulletin. Once a product has been selected, it should be tested by the user in all possible applications.

Life Support Policy: Cooper Bussmann does not authorize the use of any of its products for use in life support devices or systems without the express written approval of an officer of the Company. Life support systems are devices which support or sustain life, and whose failure to perform, when properly used in accordance with instructions for use provided in the labeling, can be reasonably expected to result in significant injury to the user.

© 2010 Cooper Bussmann  
St. Louis, MO 63178  
www.cooperbussmann.com