



Chipsmall Limited consists of a professional team with an average of over 10 year of expertise in the distribution of electronic components. Based in Hongkong, we have already established firm and mutual-benefit business relationships with customers from,Europe,America and south Asia,supplying obsolete and hard-to-find components to meet their specific needs.

With the principle of “Quality Parts,Customers Priority,Honest Operation,and Considerate Service”,our business mainly focus on the distribution of electronic components. Line cards we deal with include Microchip,ALPS,ROHM,Xilinx,Pulse,ON,Everlight and Freescale. Main products comprise IC,Modules,Potentiometer,IC Socket,Relay,Connector.Our parts cover such applications as commercial,industrial, and automotives areas.

We are looking forward to setting up business relationship with you and hope to provide you with the best service and solution. Let us make a better world for our industry!



## Contact us

Tel: +86-755-8981 8866 Fax: +86-755-8427 6832

Email & Skype: info@chipsmall.com Web: www.chipsmall.com

Address: A1208, Overseas Decoration Building, #122 Zhenhua RD., Futian, Shenzhen, China



# KST Series

## Long Travel Tact Switch for SMT

### Features/Benefits

- Rubber actuator
- Silver contact material
- J or G terminals
- Compatible with pick and place machines

### Typical Applications

- Front panel
- Car dashboards
- Telephone set
- Instrumentation



### Specification

FUNCTION: Momentary  
 CONTACT ARRANGEMENT: 1 make contact = SPST N.O.  
 TERMINALS: J Bend or Gullwing type for SMT

### Mechanical

MAXIMUM APPLIED FORCE: 40 N (400 grams)

Type	Operating force Fa N (grams)±30%	Operating life (operations)	Travel to make
KST221J	2 (200)	100,000	1,3+0,3/-0.2
KST241J	3.5 (350)	100,000	1,3+0,3/-0.2

### Packaging

Switches are delivered on continuous tape and reels of 1,000 pieces, 330 (12.992) external diameter. Other dimensions according to EIA-RS-481 standard.

**NOTE:** Part numbers listed above do not represent all possible configurations. For information on specific and custom switches, consult Customer Service Center.

### Electrical

SWITCHING POWER MAX.: 0.50 VA  
 SWITCHING VOLTAGE MIN./MAX.: 20 mV/30 V  
 SWITCHING CURRENT MIN./MAX.: 1 mA/50 mA

DIELECTRIC STRENGTH (50 Hz, 1 min.): > 250 V  
 CONTACT RESISTANCE: <100 mΩ  
 INSULATION RESISTANCE: >10<sup>9</sup>Ω  
 BOUNCE TIME: < 5 ms

### Environmental

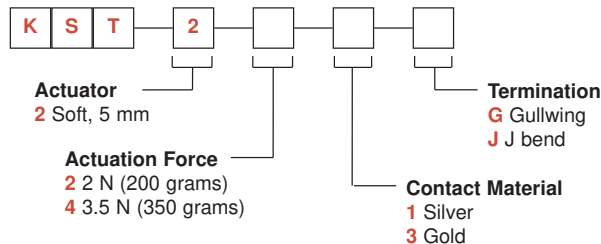
OPERATING TEMPERATURE: -40°C to 125°C  
 STORAGE TEMPERATURE: -55°C to 125°C

### Process

Contact terminals are tin plated.  
 Infrared soldering process in accordance with CECC 00802  
 No washing, IP53

### How To Order

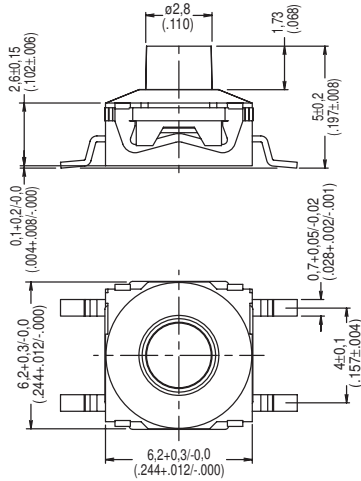
Our easy build-a-switch concept allows you to mix and match options to create the switch you need. To order, select desired option from each category and place it in the appropriate box.



# KST Series Long Travel Tact Switch for SMT

SERIES

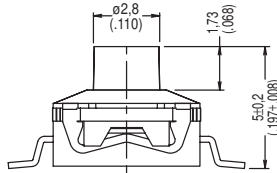
**KST**



**B**  
Tactile Switches

ACTUATOR

**2** SOFT



ACTUATION FORCE

OPTION CODE	OPERATING FORCE
<b>2</b>	2 N (200 grams)
<b>4</b>	3.5 N (350 grams)

CONTACT MATERIAL

**1** SILVER

**3** GOLD



Dimensions are shown: mm (inch)  
Dimensions subject to change

