



Chipsmall Limited consists of a professional team with an average of over 10 year of expertise in the distribution of electronic components. Based in Hongkong, we have already established firm and mutual-benefit business relationships with customers from,Europe,America and south Asia,supplying obsolete and hard-to-find components to meet their specific needs.

With the principle of “Quality Parts,Customers Priority,Honest Operation,and Considerate Service”,our business mainly focus on the distribution of electronic components. Line cards we deal with include Microchip,ALPS,ROHM,Xilinx,Pulse,ON,Everlight and Freescale. Main products comprise IC,Modules,Potentiometer,IC Socket,Relay,Connector.Our parts cover such applications as commercial,industrial, and automotives areas.

We are looking forward to setting up business relationship with you and hope to provide you with the best service and solution. Let us make a better world for our industry!



Contact us

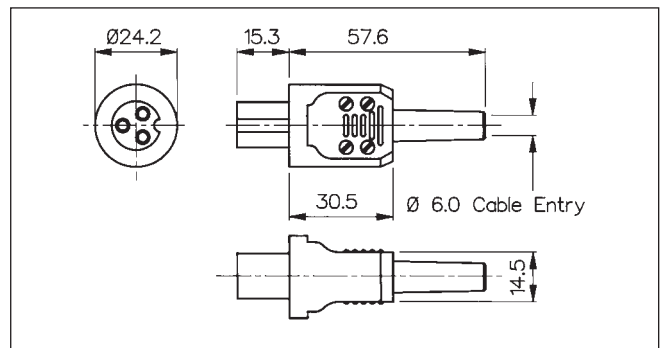
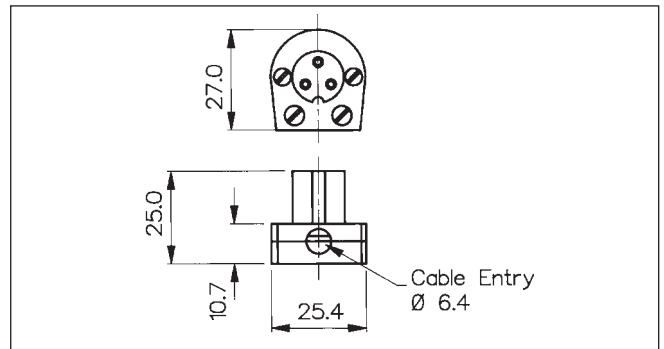
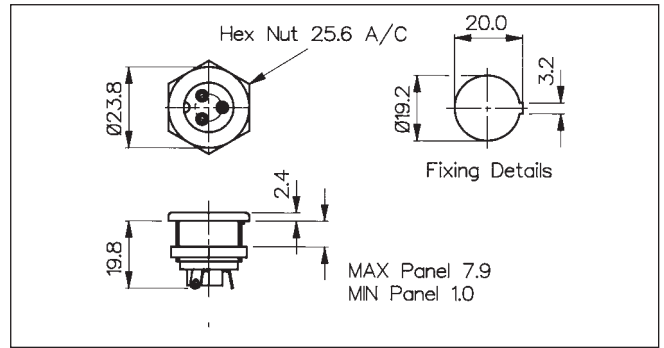
Tel: +86-755-8981 8866 Fax: +86-755-8427 6832

Email & Skype: info@chipsmall.com Web: www.chipsmall.com

Address: A1208, Overseas Decoration Building, #122 Zhenhua RD., Futian, Shenzhen, China

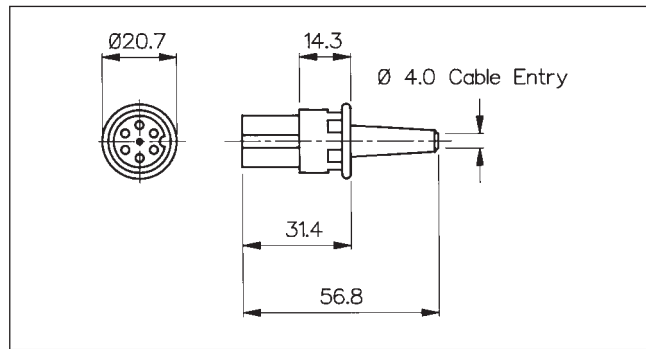
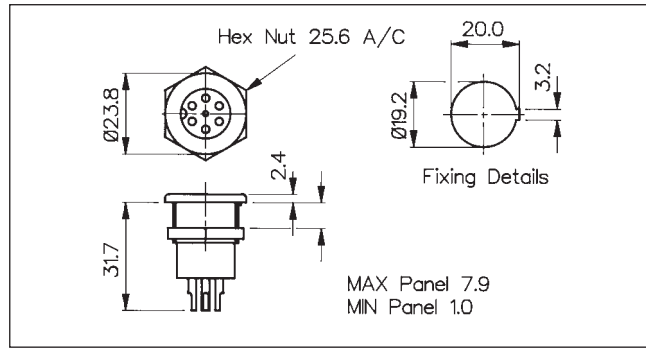


Stecker und Sockel (2 Pole + E)



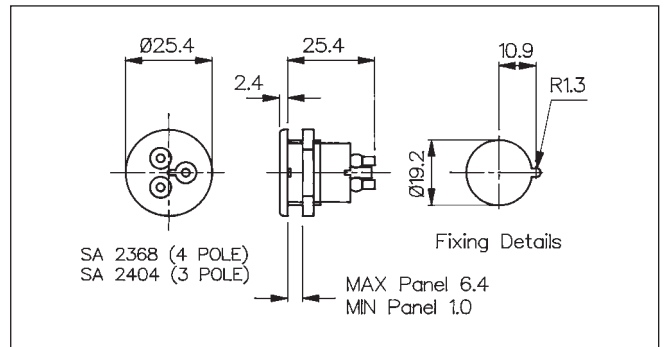
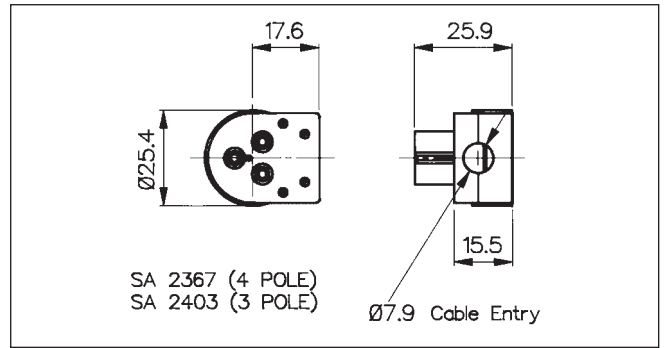
Data	List No.	PX0429	PX0430/SE	PX0646
Anschlüsse:		Lötanschluß	Lötanschluss.	Lötanschluß.
Max. Rating:		3A. 250V a.c.	3A. 250V a.c.	3A. 250V a.c.
Contact Resistance:		<10m Ω.	<10m Ω.	<10m Ω.
Insulation Resistance:		>10 ⁵ M Ω.	>10 ⁵ M Ω.	>10 ⁵ M Ω.
A.C. Breakdown:		Pole-Pole 4.5kV. Poles-Panel 8.5kV.	Pole-Pole 4.5kV. Poles-Accessible Parts 3.5kV.	Pole-Pole 4.5kV. Poles-Accessible Parts 3.5kV.
Operating Temp. Range:		-20°C to +60°C.	-20°C to +60°C.	-20°C to +60°C.
Mouldings:		Glass Filled Nylon.	Nylon and Glass Filled Nylon.	Nylon and Glass Filled Nylon.
Contacts:		Pins: Brass, Tin Dipped.	Sockets: Brass, Silver Plated.	Sockets: Brass, Silver Plated.
Accessories:		P.No.9455 (see page 80).		
Mates With:		PX0430/ SE & PX0646.	PX0429.	PX0429.

Plugs and Sockets (6 Pole)



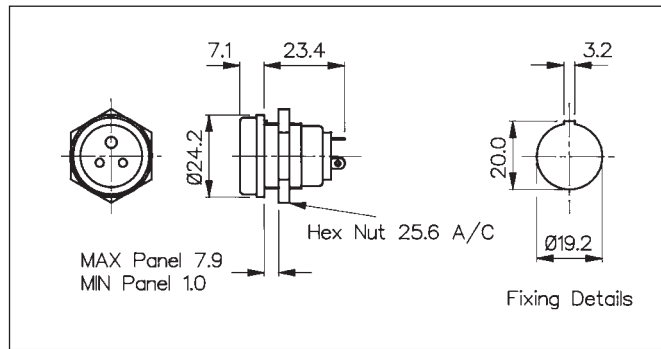
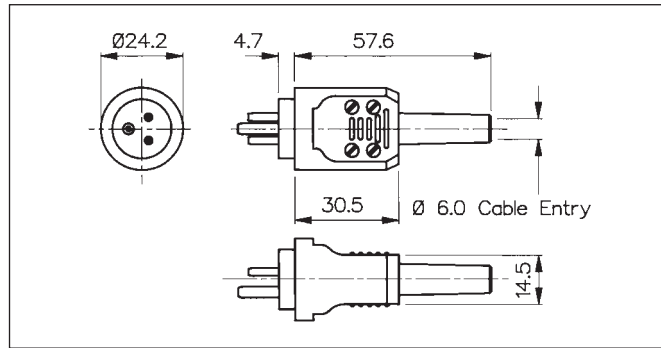
Data	List No.	PX0635	PX0636	
Terminations:		Solder buckets.	Solder tags.	
Max. Rating:		3A. 50V a.c.	3A. 50V a.c.	
Contact Resistance:		<10mΩ.	<10mΩ.	
Insulation Resistance:		>10 ⁴ MΩ.	>10 ⁴ MΩ.	
A.C. Breakdown:		Pole- Pole 2.1kV. Poles-Panel 10kV.	Pole- Pole 2.1kV. Poles- Accessible parts 1.5kV.	
Operating Temp. Range:		-20°C to +60°C.	-20°C to +60°C.	
Mouldings:		Glass Filled Nylon.	Phenolic and Glass Filled Nylon.	
Contacts:		Brass, Silver Plated.	Brass, Silver Plated.	
Accessories:		P.No.9455 (see page 80).		
Mates With:		PX0636	PX0635	

Plugs and Sockets (3 & 4 pole)



Data \ List No.	SA2403 (3 Pole) SA2367 (4 Pole)	SA2404 (3 Pole) SA2368 (4 Pole)	
Terminations:	Screw terminals.	Solder sockets.	
Max. Rating:	3A. 250V a.c.	3A. 250V a.c.	
Contact Resistance:	<10m Ω.	<10m Ω.	
Insulation Resistance:	>10 ⁴ M Ω.	>10 ⁴ M Ω.	
A.C. Breakdown:	Pole- Pole 4.2kV. Poles- Accessible Parts 2kV.	Pole- Pole 4.2kV. Poles- Panel 8.2kV.	
Operating Temp. Range:	-20°C to +70°C.	-20°C to +70°C.	
Mouldings:	Glass Filled Nylon.	Glass Filled Nylon.	
Contacts:	Pins/ Terminals: Brass, Nickel Plated.	Sockets: Brass, Tin Plated.	
Accessories:		PNo. 9455 (see page 80).	
Mates With:	3 Pole - SA2404 4 Pole - SA2368	3 Pole - SA2403 4 Pole - SA2367	

Plugs and Sockets (2 Pole + E)

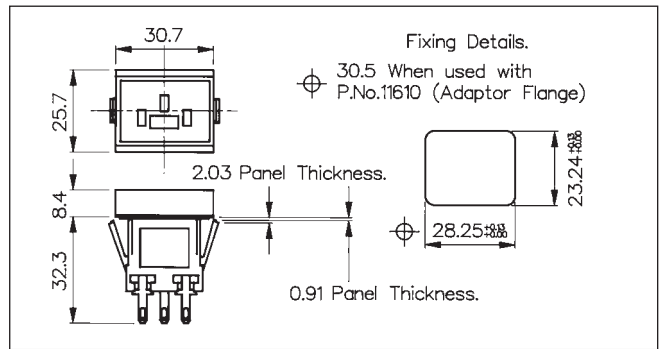
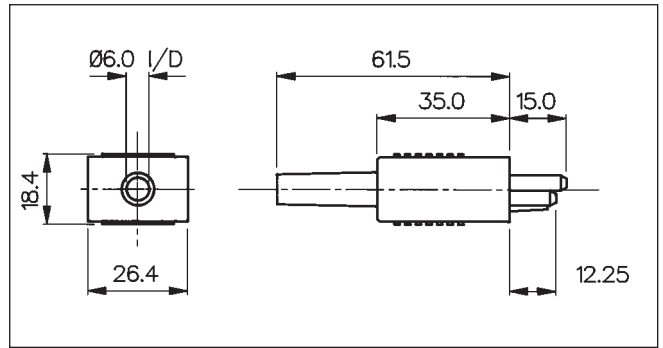


CONNECTORS



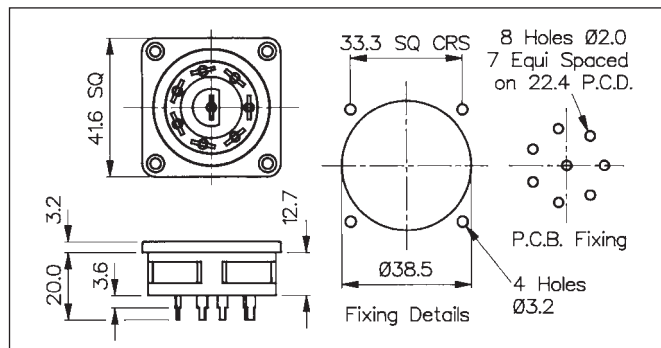
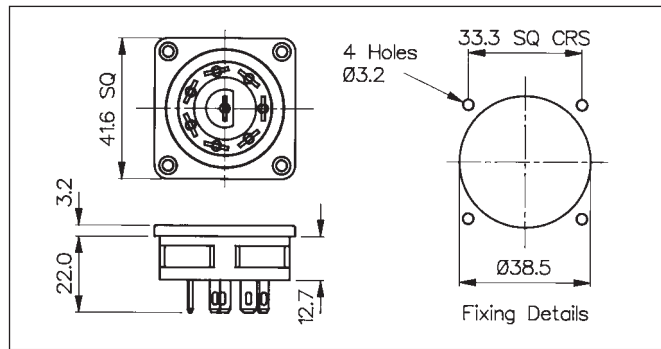
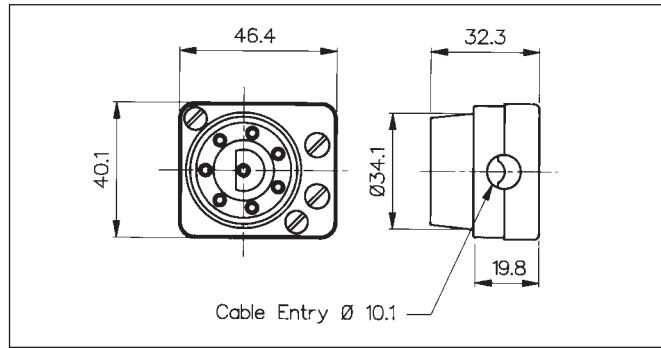
Data \ List No.	PX0649	PX0650	
Terminations:	Solder sockets.	Solder tags.	
Max. Rating:	3A. 250V a.c.	3A. 250V a.c.	
Contact Resistance:	<10mΩ.	<10mΩ.	
Insulation Resistance:	>10 ⁴ MΩ.	>10 ⁴ MΩ.	
A.C. Breakdown:	Pole- Pole 4.2kV. Poles- Accessible parts 10kV.	Pole- Pole 4.2kV. Poles- Panel 10kV.	
Operating Temp. Range:	-20°C to +60°C.	-20°C to +60°C.	
Mouldings:	Nylon and Phenolic.	Glass Filled Nylon.	
Contacts:	Pins: Brass, Tin Dipped.	Sockets: Brass, Silver Plated.	
Accessories:			
Mates With:	PX0650	PX0649	

Plugs and Sockets (2 pole + E)



Data	List No.	PX0770	PX0780/Termination	
Fixing:			Push-fit.	
Terminations:		Screw terminals.	/ 28 (2.8mm solder), / 63 (6.3mm tab).	
Max. Rating:		6A. 250V a.c. (CSA 10A. 250V a.c.)	6A. 250V a.c. (CSA 10A. 250V a.c.)	
Contact Resistance:		<10m Ω.	<10m Ω.	
Insulation Resistance:		>10 ⁴ M Ω.	>10 ⁴ M Ω.	
A.C. Breakdown:		Pole - Pole 6.5kV. Poles - Accessible Parts 5.5kV.	Pole - Pole 6.5kV. Poles - Panel 10kV.	
Operating Temp. Range:		-40°C to +70°C.	-40°C to +70°C.	
Withdrawal Force:			10N (Min). 50N (Max).	
Mouldings:		Nylon.	Nylon.	
Contacts:		Brass, Nickel Plated.	Brass, Tin Plated.	
Approvals:				
Accessories / Notes:		Note: Moulded bar prevents cross mating with unsuitable IEC outlet.	P.Nos. 11610 & / 1 adaptor for flange fixing. KT0007, P.No.12128 (see page 81).	
Mates With:		PX0780	PX0770	

Panel/Flex Mount panel and Sockets

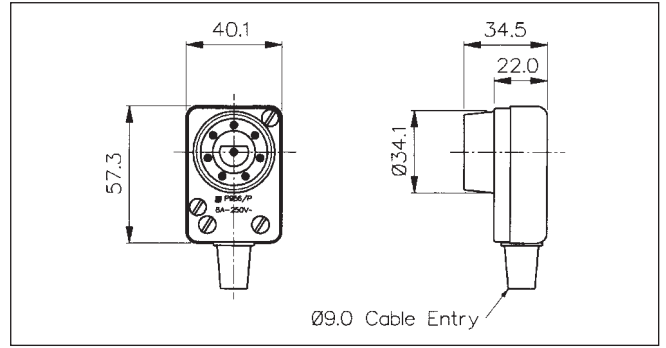


Data	List No.	PX0551	PX0552	PX0552/PC
Terminations:		Screw terminals.	4.8 Series Tab.	P.C. Spills
Max. Rating:		6A. 250V a.c. (per pin)	6A. 250V a.c. (per pin)	6A. 250V a.c. (per pin)
Contact Resistance:		<20mΩ.	<20mΩ.	<20mΩ.
Insulation Resistance:		>10 ³ MΩ.	>10 ³ MΩ.	>10 ³ MΩ.
A.C. Breakdown:		Pole- Pole 5.2kV. Poles-Accessible parts 6kV.	Pole- Pole 5.2kV. Poles- Panel 2kV.	Pole- Pole 5.2kV. Poles- Panel 6.6kV.
Operating Temp. Range:		-20°C to +70°C.	-20°C to +70°C.	-20°C to +70°C.
Mouldings:		Glass Filled Nylon.	Glass Filled Nylon.	Glass Filled Nylon.
Contacts:		Brass, Nickel Plated	Brass, Tin Plated	Brass, Tin Plated
Mates With:		PX0552, PX0552/ PC	PX0551	PX0551

NEW



PX0956/P

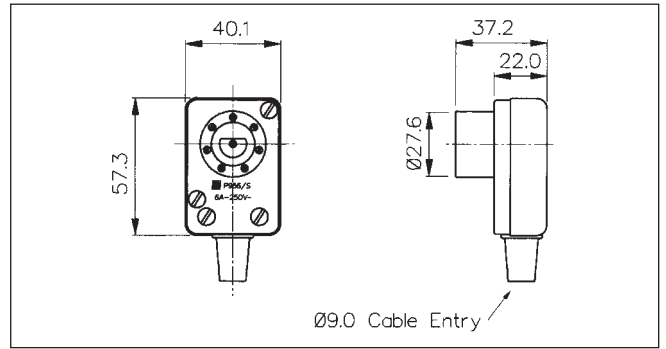


Ø9.0 Cable Entry

NEW



PX0956/S



Ø9.0 Cable Entry



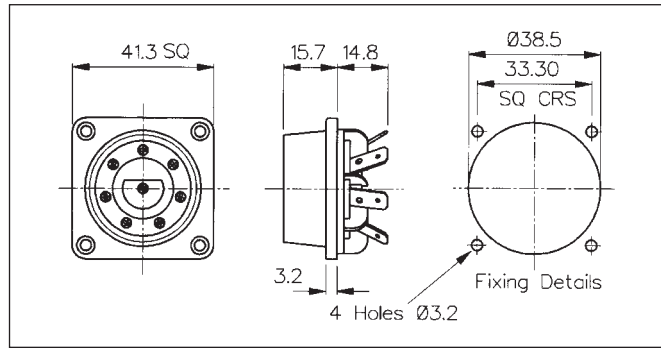
Certificate No. FM 15822

Data	List No.	PX0956/P	PX0956/S
Terminations:		Screw/ Solder terminals.	Screw/ Solder terminals.
Max. Rating:		6A. 250V a.c.	6A. 250V a.c.
Contact Resistance:		< 10mΩ.	< 10mΩ.
Insulation Resistance:		>10 ⁸ MΩ @ 500V d.c.	>10 ⁸ MΩ @ 500V d.c.
A.C. Breakdown:		Pole- Pole 5kV. Pole- Exterior parts 5kV.	Pole- Pole 5.5kV. Pole- Exterior parts 5kV.
Operating Temp. Range:		-20°C to +70°C.	-20°C to +70°C.
Mouldings:		Glass Filled Nylon (black) UL94H-B	Glass Filled Nylon (black) UL94H-B
Mates With:		PX0956/ S, PX0957/ S, PX0958/ S	PX0956/ P, PX0957/ P, PX0958/ P

NEW



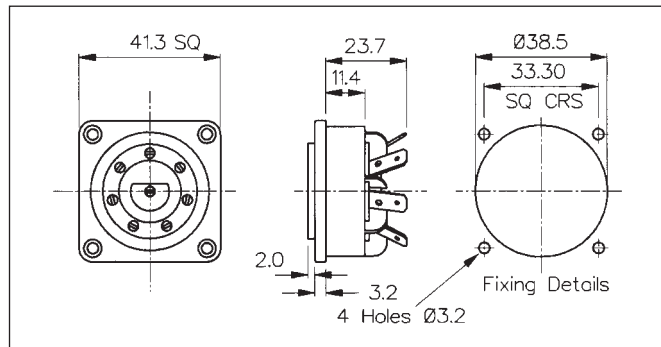
PX0957/P



NEW



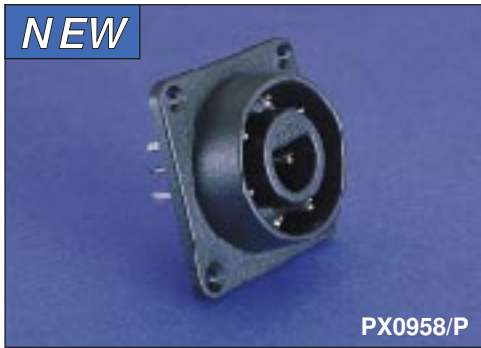
PX0957/S



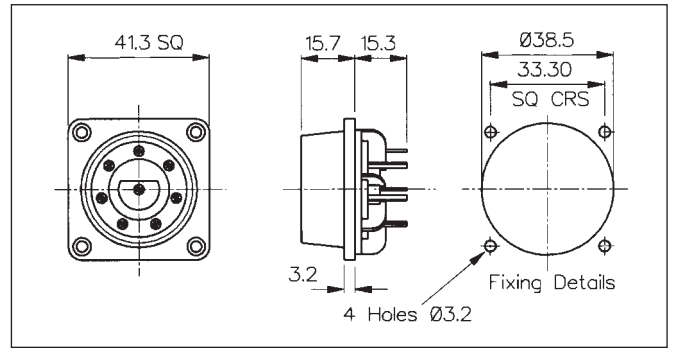
Certificate No. FM12692

Data	List No.	PX0957/P	PX0957/S
Terminations:		4.8 Tab Solder Tag.	4.8 Tab Solder Tag.
Max. Rating:		6A. 250V a.c.	6A. 250V a.c.
Contact Resistance:		< 10mΩ.	< 10mΩ.
Insulation Resistance:		>10 ⁸ MΩ @ 500V d.c.	>10 ⁸ MΩ @ 500V d.c.
A.C. Breakdown:		Pole- Pole 5kV. Pole- Exterior parts 6.2kV.	Pole- Pole 6.4kV. Pole- Exterior parts/ Panel 5kV.
Operating Temp. Range:		-20°C to +70°C.	-20°C to +70°C.
Mouldings:		Glass Filled Nylon (black) UL94H-B	Glass Filled Nylon (black) UL94H-B
Mates With:		PX0956/ S, PX0957/ S, PX0958/ S	PX0956/ P, PX0957/ P, PX0958/ P

NEW



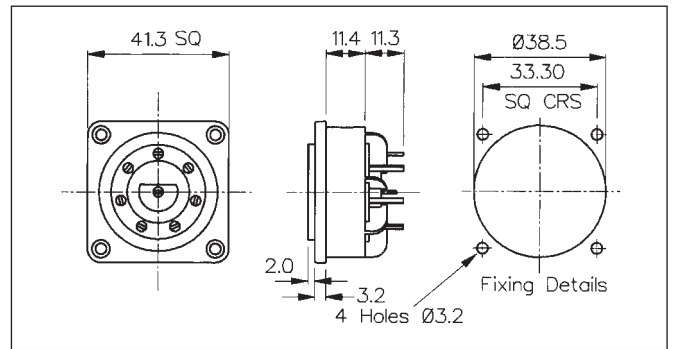
PX0958/P



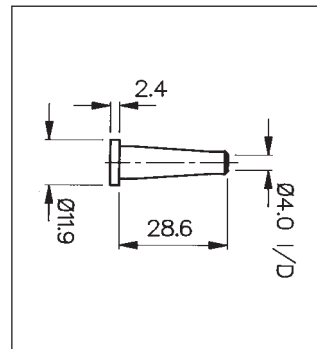
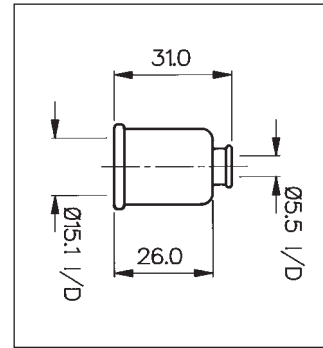
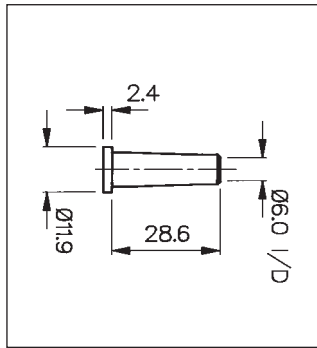
NEW



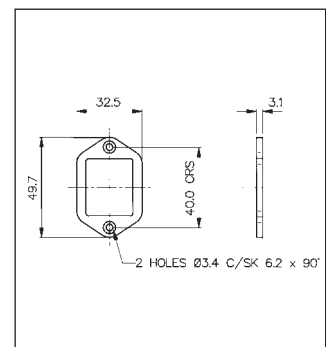
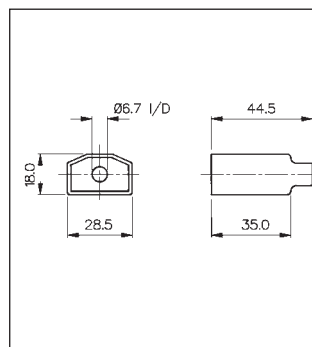
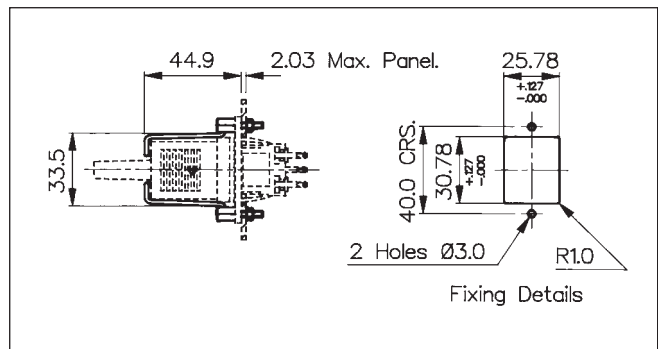
PX0958/S



Data	List No.	PX0958/P	PX0958/S
Terminations:		P.C. Spills	P.C. Spills
Max. Rating:		6A. 250V a.c.	6A. 250V a.c.
Contact Resistance:		< 10mΩ.	< 10mΩ.
Insulation Resistance:		>10 ⁶ MΩ @ 500V d.c.	>10 ⁶ MΩ @ 500V d.c.
A.C. Breakdown:		Pole- Pole 5kV. Pole- Exterior parts 6.2kV.	Pole- Pole 6.4kV. Pole- Exterior parts/ Panel 5kV.
Operating Temp. Range:		-20°C to +70°C.	-20°C to +70°C.
Mouldings:		Glass Filled Nylon (black) UL94H-B	Glass Filled Nylon (black) UL94H-B
Mates With:		PX0956/ S, PX0957/ S, PX0958/ S	PX0956/ P, PX0957/ P, PX0958/ P



Data \ List No.	PNo 10936/10	PNo 8819/10	PNo 9455		
Type:	Cable Sleeve.	Cable Sleeve.	Insulation Cover.		
Temp. Range:	-20°C to +60°C.	-20°C to +60°C.	-20°C to +60°C.		
Material:	PVC.	PVC.	PVC.		
Fits:	PX0646, PX0649.	PX0636.	PX0429, PX0635, PX0650, SA2368, SA2404.		
Max. Working Voltage:			250V a.c.		
Flash Tested:			2kV. a.c.		



Data	List No.	KT0007	PNo 12128	PNo 11610 & /1		
Type:		Retaining Clips to Prevent Accidental removal of Connector.	Insulation Cover.	Adaptors to convert PX0780 to flange fixing with PNo. 11610 (countersunk hole) PNo. 11610/ 1 (without countersunk hole).		
Temp. Range:			-20°C to +60°C.	-40°C to +70°C.		
Material:		Clip Stainless Steel. All other part Brass, Nickel Plated.	PVC.	Glass Filled Nylon.		
Fits:		PX0780 plus PNo. 11610/ 1.	PX0780 (see page 76)	PX0780 (see page 76)		
Max. Working Voltage:			250V.a.c.			
Flash Tested:			2kV .a.c.			