



Chipsmall Limited consists of a professional team with an average of over 10 year of expertise in the distribution of electronic components. Based in Hongkong, we have already established firm and mutual-benefit business relationships with customers from,Europe,America and south Asia,supplying obsolete and hard-to-find components to meet their specific needs.

With the principle of "Quality Parts,Customers Priority,Honest Operation,and Considerate Service",our business mainly focus on the distribution of electronic components. Line cards we deal with include Microchip,ALPS,ROHM,Xilinx,Pulse,ON,Everlight and Freescale. Main products comprise IC,Modules,Potentiometer,IC Socket,Relay,Connector.Our parts cover such applications as commercial,industrial, and automotives areas.

We are looking forward to setting up business relationship with you and hope to provide you with the best service and solution. Let us make a better world for our industry!



## Contact us

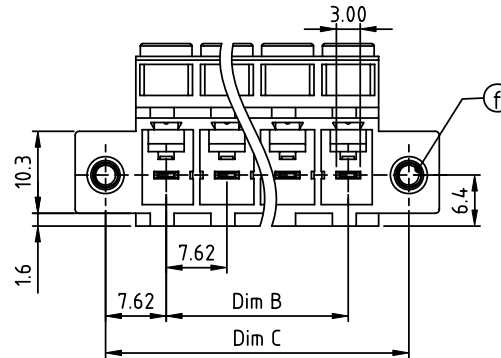
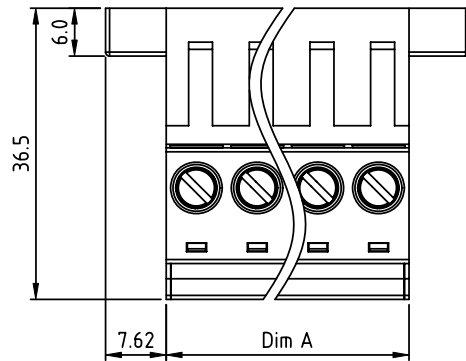
Tel: +86-755-8981 8866 Fax: +86-755-8427 6832

Email & Skype: info@chipsmall.com Web: www.chipsmall.com

Address: A1208, Overseas Decoration Building, #122 Zhenhua RD., Futian, Shenzhen, China



PRODUCT NUMBER	PITCH
KTxx01x200J0G	7.62 mm

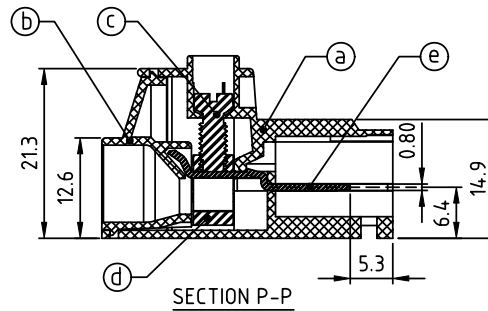
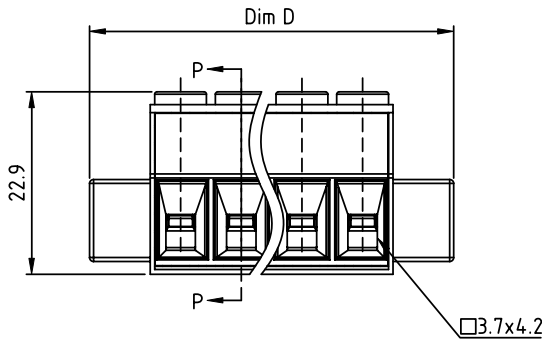


Material:

- Item ① Terminal(housing) : Thermoplastic (UL94V-0)
- Item ② Terminal(cover) : Thermoplastic(UL94V-0) ( ET 7.62 )
- Item ③ Terminal screw : Steel Zinc plating " - " slot type ( ET 7.62 )
- Item ④ Clamp : Brass, Ni plated ( ET 7.62 )
- Item ⑤ Female contact : Copper. Tin plated
- Item ⑥ With flange Nut : Steel Zinc plating M3 ( VC 7.62 )

Electrical cULus

- Voltage rating: 600VAC
- Current rating: 41A
- Solid wire (AWG): 8-24
- Stranded wire(AWG): 8-24
- Torque: 9.0 Lb-In
- Screw: M3.5
- Wire strip length: 10-11mm
- Withstanding Voltage: 1.6KV
- Operating temperature: -40°C to +115°C
- Safety Approval:



N=Number of poles

Dim A	Nx7.62
Dim B	(N-1)x7.62
Dim C	(N+1)x7.62
Dim D	(N+2)x7.62

Dimension

Poles	Tolerance
2P-5P	±0.20
6P-10P	±0.30
11P-16P	±0.40

PART NO.: KT xx 01 x 2 00J0 G

	Color	RoHS compliant
Solid block	0 Black (RAL9005)	(lead<4%)
No. of poles	2 Red (RAL3001/D)	In copper Alloy
02 2 poles	3 Orange(RAL2011/P)	
03 3 poles	4 Yellow(RAL1018/A)	
...	5 Green(RAL6018/T)	
16 16 poles	6 Blue (RAL5015/A)	
	8 Grey(RAL7035/D)	
	9 White(RAL1102)	
	C Green(RAL6018/U)	

mat'l. code	surface ASME Y14.5	tolerance ASME Y14.5	projection 	product family TERMINAL BLOCK
ltr	ecn	no	dr	date
tolerances unless otherwise specified			title TERMINAL BLOCK	
angles	0	X.±0.5	PLUGGABLE PLUG,FLANGE WITH NUT	
0	0	X.X±0.3	dwg no KTxx01x200J0G	
X°±1°	0	X.XX±0.1	sheet 1 of 1 size A4	
dr	EVIN ZHONG	050614	FCI	
enr	EVIN ZHONG	050614	type CUSTOMER Drawing	
chr	HANKE FENG	050614		
appd	SHI JUN	050614		
sheet index	revision	A		
	sheet	1		