



Chipsmall Limited consists of a professional team with an average of over 10 year of expertise in the distribution of electronic components. Based in Hongkong, we have already established firm and mutual-benefit business relationships with customers from,Europe,America and south Asia,supplying obsolete and hard-to-find components to meet their specific needs.

With the principle of “Quality Parts,Customers Priority,Honest Operation,and Considerate Service”,our business mainly focus on the distribution of electronic components. Line cards we deal with include Microchip,ALPS,ROHM,Xilinx,Pulse,ON,Everlight and Freescale. Main products comprise IC,Modules,Potentiometer,IC Socket,Relay,Connector.Our parts cover such applications as commercial,industrial, and automotives areas.

We are looking forward to setting up business relationship with you and hope to provide you with the best service and solution. Let us make a better world for our industry!



Contact us

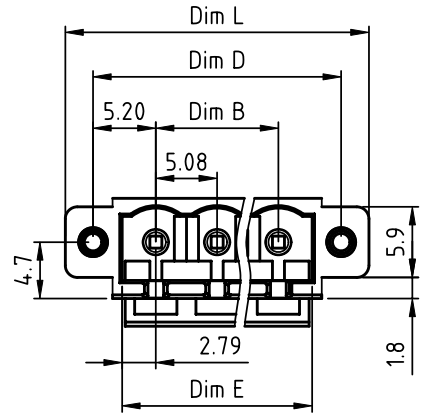
Tel: +86-755-8981 8866 Fax: +86-755-8427 6832

Email & Skype: info@chipsmall.com Web: www.chipsmall.com

Address: A1208, Overseas Decoration Building, #122 Zhenhua RD., Futian, Shenzhen, China



PRODUCT NUMBER	PITCH
KVxx50x4.00J0G	5.08 mm

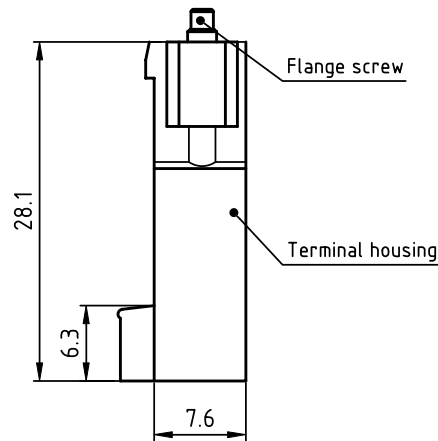
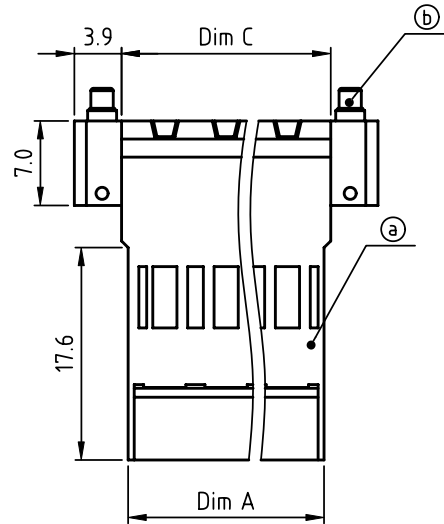


N = Number of poles
 Dim L=(N-1)x5.08+15.0
 Dim A=Nx5.08+1.0
 Dim B=(N-1)x5.08
 Dim C=Nx5.08+2.1
 Dim D=(N-1)x5.08+10.4
 Dim E=(N-1)x5.08+5.58

Poles	Dim L	Dim A	Dim B	Dim C	Dim D	Dim E
2-6p	±0.15	±0.10	±0.15	±0.15	±0.15	±0.15
7-12p	±0.20	±0.20	±0.20	±0.20	±0.20	±0.20
13-16p	±0.25	±0.30	±0.25	±0.25	±0.25	±0.25
17-24p	±0.35	±0.40	±0.35	±0.35	±0.35	±0.35

PART NO.: KV xx 50 x 4 00J0 G

		Color	RoHS compliant
Solid block	0	Black (RAL9005)	(lead<4%)
No. of poles	2	Red (RAL3001/D)	In copper Alloy
02	2 poles	3 Orange(RAL2011/P)	
03	3 poles	4 Yellow(RAL1018/A)	
...	...	5 Green(RAL6018/T)	
24	24 poles	6 Blue (RAL5015/A)	
		8 Grey(RAL7035/D)	
		9 White(RAL1102)	
		C Green(RAL6018/U)	

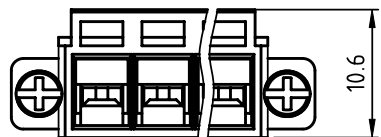


Material:

- Item①Terminal housing:Thermoplastic (UL94 V-0)
- Item②Flange screw: Brass, M2.5

Electrical

- Voltage rating: 300V
- Current rating: 10A
- Wire range: 1.5-2.5mm²
- Withstanding Voltage: 1.6KV
- Corresponding female crimp contacts:AR 5.08 series



mat'l. code		surface ASME Y14.5	tolerance ASME Y14.5	projection MM	product family TERMINAL BLOCK
ltr	ecn no	dr	date	tolerances unless otherwise specified	title TERMINAL BLOCK PLUGGABLE PLUG,FLANGE WITH SCREW CRIMP CONNECTION,HIGH PROFILE
				angles X±0.5 X.X±0.3 X°±1° X.XX±0.1	
		dr	EVIN ZHONG	050414	dwg no KVxx50x4.00J0G
		enr	EVIN ZHONG	050414	
		chr	HANKE FENG	050414	sheet 1 of 1 size A4
		appd	SHI JUN	050414	
sheet index	revision sheet	A	1		type CUSTOMER Drawing