

Chipsmall Limited consists of a professional team with an average of over 10 year of expertise in the distribution of electronic components. Based in Hongkong, we have already established firm and mutual-benefit business relationships with customers from,Europe,America and south Asia,supplying obsolete and hard-to-find components to meet their specific needs.

With the principle of “Quality Parts,Customers Priority,Honest Operation,and Considerate Service”,our business mainly focus on the distribution of electronic components. Line cards we deal with include Microchip,ALPS,ROHM,Xilinx,Pulse,ON,Everlight and Freescale. Main products comprise IC,Modules,Potentiometer,IC Socket,Relay,Connector.Our parts cover such applications as commercial,industrial, and automotives areas.

We are looking forward to setting up business relationship with you and hope to provide you with the best service and solution. Let us make a better world for our industry!



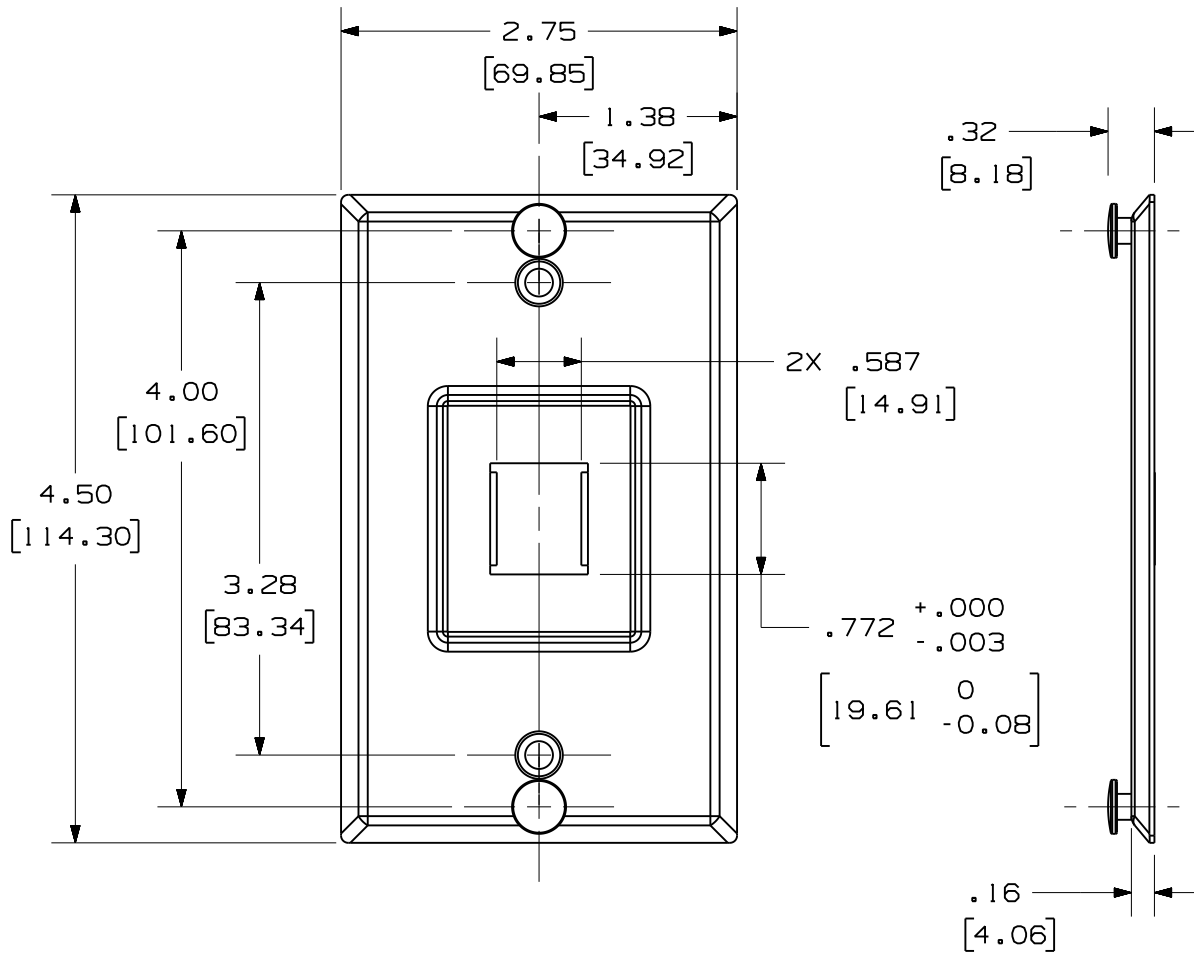
Contact us

Tel: +86-755-8981 8866 Fax: +86-755-8427 6832

Email & Skype: info@chipsmall.com Web: www.chipsmall.com

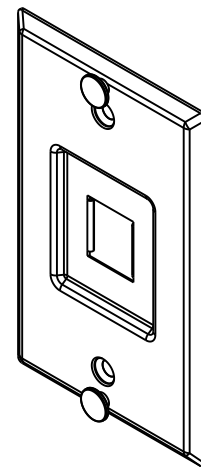
Address: A1208, Overseas Decoration Building, #122 Zhenhua RD., Futian, Shenzhen, China

THIS COPY IS PROVIDED ON A RESTRICTED BASIS AND IS NOT TO BE USED IN ANY WAY DETRIMENTAL TO THE INTERESTS OF PANDUIT CORP.



PANDUIT P/N	WEIGHT
KWPY	1.282 LB/10 PCS [581.4 g/10 PCS]

- NOTES:
 1. SEE CATALOG FOR COMPLETE LIST OF PARTS APPLICABLE FOR USE WITH THIS PART.
 2. DIMENSIONS IN BRACKETS ARE METRIC.
 3. CONTAINS:
 1 - STAINLESS STEEL PHONE PLATE
 2 - MOUNTING SCREWS



MODEL FILENAME	10M188BA/05	SIZE	A
DRAWING FILENAME	10M188BB_DC02/00A		

STAINLESS STEEL PHONE PLATE
CUSTOMER DRAWING

 TINLEY PARK, IL 60487	I.I. NUMBER	NS-605
	PRODUCT SPEC/ PKG SPEC	NS-389
 THIRD ANGLE PROJECTION	ASSY METHOD/ TEST METHOD	
	SCALE	FULL
DRAWN BY	REVIEW DRAWING NUMBERS	PART NO.
LZ		KWPY
DATE	MAT'L	DRAWING NO.
10-26-11		10M188BB-02
CHK'D		

REV	DATE	BY	CHK	DESCRIPTION	ECN	R	CUST	SUP	OTH
R	10-26-11	LZ		RELEASED TO PRODUCTION	10M188BB-02				