



Chipsmall Limited consists of a professional team with an average of over 10 year of expertise in the distribution of electronic components. Based in Hongkong, we have already established firm and mutual-benefit business relationships with customers from,Europe,America and south Asia,supplying obsolete and hard-to-find components to meet their specific needs.

With the principle of “Quality Parts,Customers Priority,Honest Operation,and Considerate Service”,our business mainly focus on the distribution of electronic components. Line cards we deal with include Microchip,ALPS,ROHM,Xilinx,Pulse,ON,Everlight and Freescale. Main products comprise IC,Modules,Potentiometer,IC Socket,Relay,Connector.Our parts cover such applications as commercial,industrial, and automotives areas.

We are looking forward to setting up business relationship with you and hope to provide you with the best service and solution. Let us make a better world for our industry!



## Contact us

Tel: +86-755-8981 8866 Fax: +86-755-8427 6832

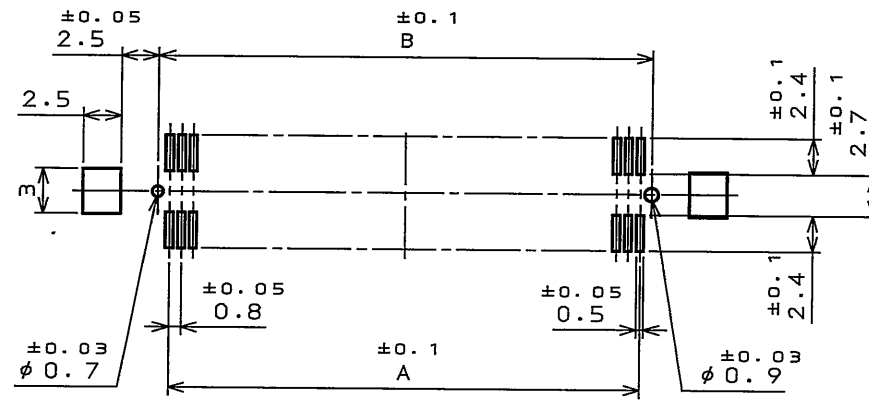
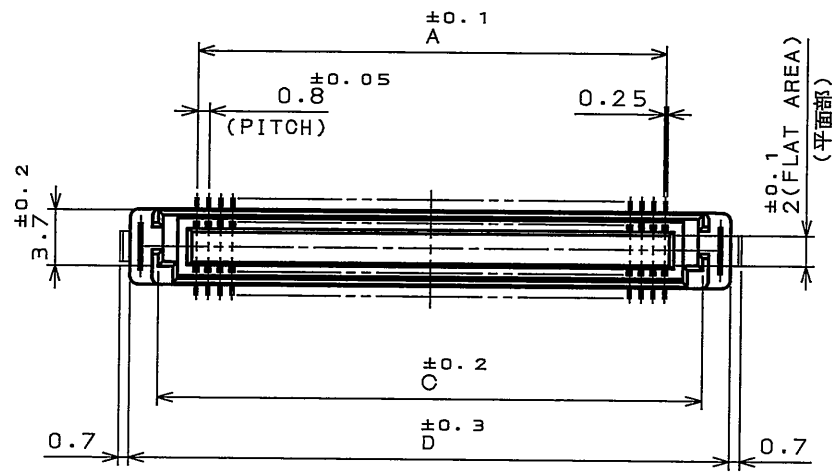
Email & Skype: info@chipsmall.com Web: www.chipsmall.com

Address: A1208, Overseas Decoration Building, #122 Zhenhua RD., Futian, Shenzhen, China

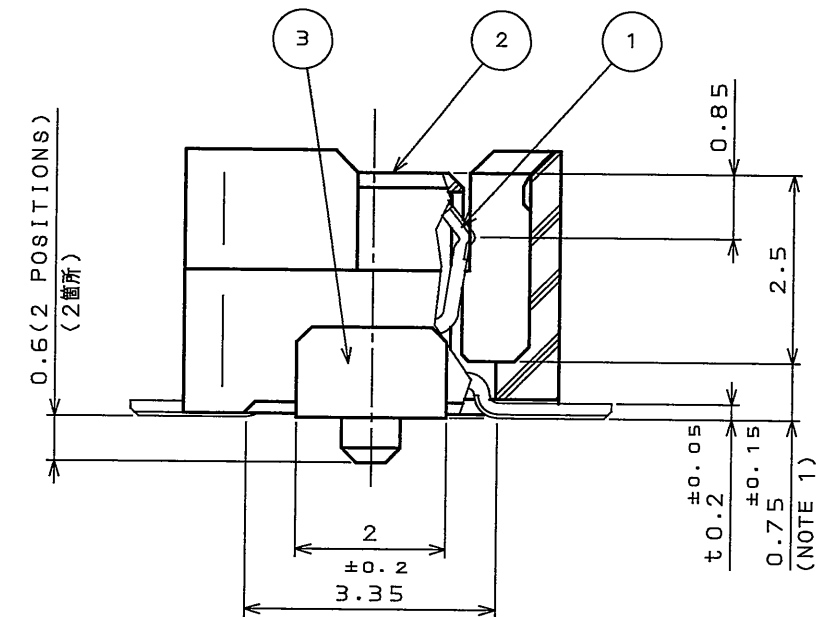


SJ037994  
(DRAWING NO.)

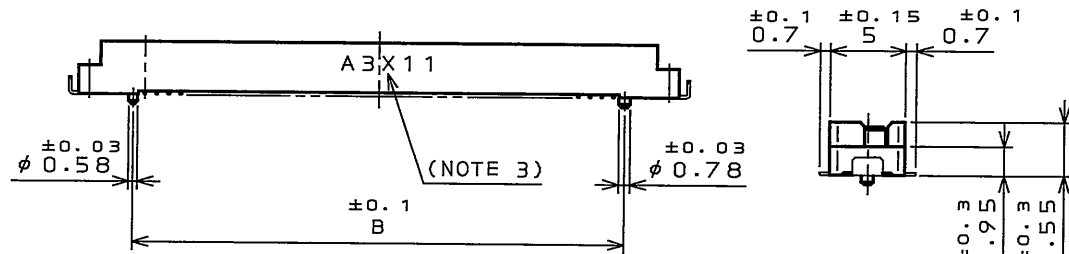
版数 REV.	年月日 DATE	DCN NO.	変更内容 DESCRIPTION	製図 DR.	担当 CHK.	査閲 APPD.	承認 APPD.
2	8.Dec.2003	053944	REVISED TABLE 2		H.TAKAHASHI	Y.YAHIRO	S.KASHIWAOGI
3	14.Mar.2007	062517	REVISED TABLE 2		J.SHINDOU	T.Muratake	Y.YAHIRO



APPLICABLE P.C.B. DIMENSION (REF.)  
適合基板寸法 (参考)



(SCALE 10:1)



DESIGNATION

命名法

KX14-\*\*\*K2D\*E

SERIES PREFIX シリーズ  
14: RECEPTACLE  
15: PLUG  
14: レセプタクル  
15: プラグ

NUMBER OF CONTACTS 芯数

(LEAD FREE)TIN/TIN ALLOY  
錫又は錫合金(無鉛)

CONTACT FINISH (TABLE 2)  
コンタクト仕上(表2参照)

MOUNT D: WITH POSITIONING BOSS, WITH HOLD-DOWN  
E: WITH POSITIONING BOSS, WITHOUT HOLD-DOWN  
マウント形状 D: 位置決めボス有・ホルドダウン有  
E: 位置決めボス有・ホルドダウン無

STACKING HEIGHT PER ONE SIDE, KX\*\* (NOTE 2)  
平行基板間高さ

N: WITHOUT MISMATING PREVENTION KEY  
K: WITH MISMATING PREVENTION KEY  
N: 逆挿入防止キイ無  
K: 逆挿入防止キイ有

NOTE 1. COPLANARITY: 0.1mm MAX.

2. STACKING HEIGHT = HEIGHT OF KX14 (RECEPTACLE) + HEIGHT OF KX15 (PLUG)

EX.: KX14-\*\*\*K2, KX15-\*\*\*K2 → 4mm=2+2

3. PRODUCTION LOT NUMBER AS INDICATED. (EXCEPT '\*\*\*K2D9')

(EX.) A3X11

LOT NUMBER OF CURRENT MONTH  
MONTH (1 TO 9 FOR JAN. TO SEPT. RESPECTIBELY, OCT.:0, NOV.:X, DEC.:Y)  
YEAR (LAST DIGIT ONLY)  
MANUFACTURER CODE

注1. 端子の平坦度は、0.1以下。

2. KX14(レセプタクル)の数と、KX15(プラグ)の数とを加えた値が平行基板間高さになります。

3. 図示の面に、ロット番号を表示する。(\*\*\*K2D9を除く)

(例) A3X11

月の生産ロット番号  
月表示: 1~9(10月:0, 11月:X, 12月:Y)  
年表示(西暦末尾)  
製造コード

TABLE 1 DIMENSION

表1 寸法

DEVELOPMENT CONDITION 開発状態	NO. OF CONTACT 芯数	A	B	C	D
○	20	7.2	8.7	12.3	16
○	30	11.2	12.7	16.3	20
○	40	15.2	16.7	20.3	24
○	50	19.2	20.7	24.3	28
○	60	23.2	24.7	28.3	32
○	70	27.2	28.7	32.3	36
○	80	31.2	32.7	36.3	40
○	100	39.2	40.7	44.3	48
○	120	47.2	48.7	52.3	56
○	140	55.2	56.7	60.3	64

○: DEVELOPED X: DEVELOPMENT PROGRAM  
○: 開発済み X: 開発予定

△△

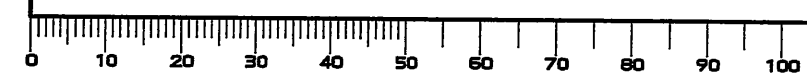
TABLE 2 CONTACT FINISH

表2 仕上

FINISH 仕上記号	CONTACT AREA 接触部仕上	TERMINAL AREA 端子部仕上
NONE 無印	GOLD(0.1μm MIN) OVER NICKEL N1 LAUO. 1μm以上	GOLD FLASH OVER NICKEL N1 LAUフラッシュ
1	GOLD(0.1μm MIN) OVER NICKEL N1 LAUO. 1μm以上	(LEAD FREE)TIN/TIN ALLOY N1 LAUまたは錫合金(無鉛)
2	GOLD(0.3μm MIN) OVER NICKEL N1 LAUO. 3μm以上	GOLD FLASH OVER NICKEL N1 LAUフラッシュ

符号 NO.	名称 DESCRIPTION	個数 QTY.	材料 MATERIAL	仕上 FINISH	備考 REMARKS
3	HOLD DOWN	2	COPPER ALLOY	(LEAD FREE)TIN/TIN ALLOY	
2	INSULATOR	1	GLASS FILLED LCP		COLOR : BLACK
1	CONTACT	TABLE 1	COPPER ALLOY	TABLE 2	
仕様書(SPECIFICATION)		第1版(ORIGINAL DATE)		シリーズ(SERIES)	
JACS-1401-*		3.Mar.2003		KX	
公差(GENERAL TOLERANCE)		製図 DR.		名称(TITLE)	
		M.HIRAKI		KX14-***K2D*E	
寸法(DIMENSION)		担当 CHK.		査閲 APPD.	
. ±0.8 X° ±		H.TAKAHASHI		承認 APPD.	
.X ±0.4 X°X' ±				承認 APPD.	
.XX ±0.1		K.SATOU		質量(MASS)	
.XXX ±				図面番号(DRAWING NO.)	
				SJ037994	

DOF-0-212F(05.06)



LEAD FREE この製品は鉛フリー品です

SIZE A3