



Chipsmall Limited consists of a professional team with an average of over 10 year of expertise in the distribution of electronic components. Based in Hongkong, we have already established firm and mutual-benefit business relationships with customers from,Europe,America and south Asia,supplying obsolete and hard-to-find components to meet their specific needs.

With the principle of "Quality Parts,Customers Priority,Honest Operation,and Considerate Service",our business mainly focus on the distribution of electronic components. Line cards we deal with include Microchip,ALPS,ROHM,Xilinx,Pulse,ON,Everlight and Freescale. Main products comprise IC,Modules,Potentiometer,IC Socket,Relay,Connector.Our parts cover such applications as commercial,industrial, and automotives areas.

We are looking forward to setting up business relationship with you and hope to provide you with the best service and solution. Let us make a better world for our industry!



## Contact us

Tel: +86-755-8981 8866 Fax: +86-755-8427 6832

Email & Skype: info@chipsmall.com Web: www.chipsmall.com

Address: A1208, Overseas Decoration Building, #122 Zhenhua RD., Futian, Shenzhen, China



Z008E0J9S  
(DRAWING NO.) 台架図

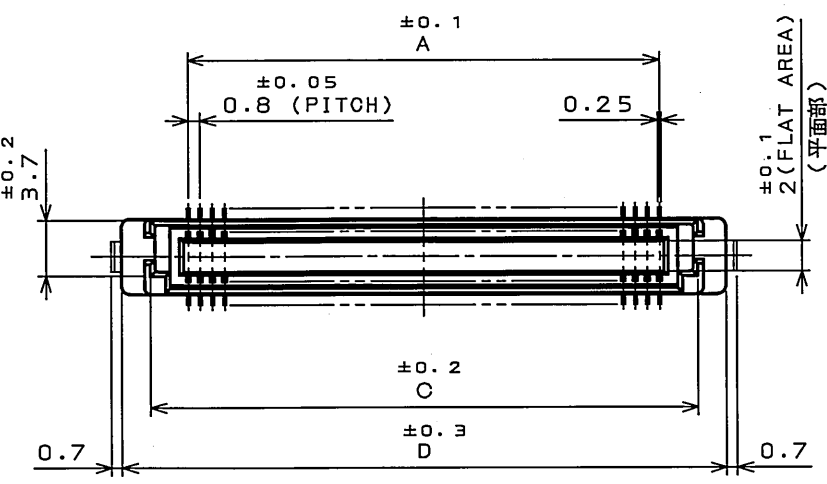


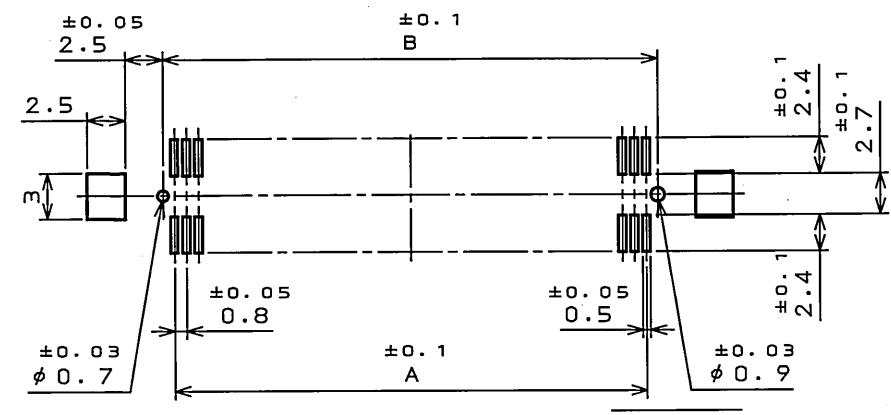
TABLE1 DIMENSION

表1 寸法

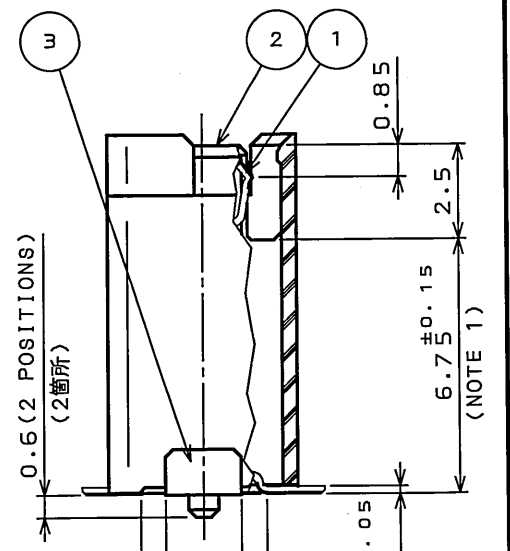
DEVELOPMENT CONDITION 開発状態	No. OF CONTACT 芯数	A	B	C	D
○	20	7.2	8.7	12.3	16
○	30	11.2	12.7	16.3	20
○	40	15.2	16.7	20.3	24
○	50	19.2	20.7	24.3	28
○	60	23.2	24.7	28.3	32
○	70	27.2	28.7	32.3	36
○	80	31.2	32.7	36.3	40
○	100	39.2	40.7	44.3	48
○	120	47.2	48.7	52.3	56
○	140	55.2	56.7	60.3	64

○: DEVELOPED X: DEVELOPMENT PROGRAM  
○: 開発済み X: 開発予定

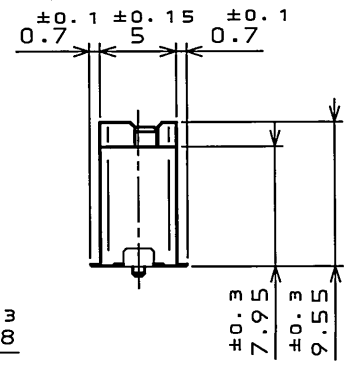
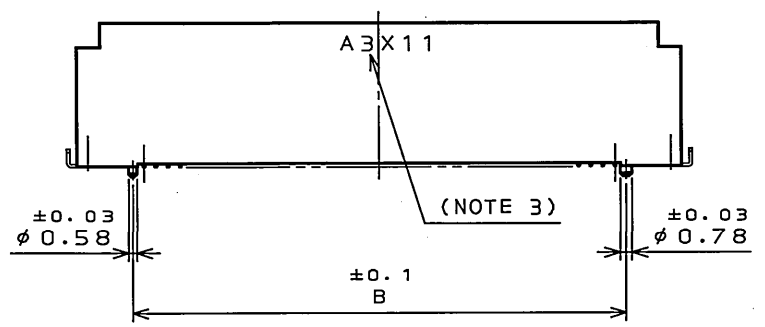
版数 REV.	年月日 DATE	DCN NO.	変更内容 DESCRIPTION	製図 DR.	担当 CHK.	査閲 APPD.	承認 APPD.
2	8.06.2003	053945	REVISED TABLE 2	E.MURANO	H.TAKAHASHI	Y.YAHIRO	S.KASHIWA01
3	7.Jul.2006	060584	ADDED ITEM		T.URANO	T.Morikawa	Y.YAHIRO



APPLICABLE P.C.B. DIMENSION (REF.)  
適合基板寸法(参考)



(SCALE 5:1)



DESIGNATION  
命名法

KX14-\*\*\*K8D\*E

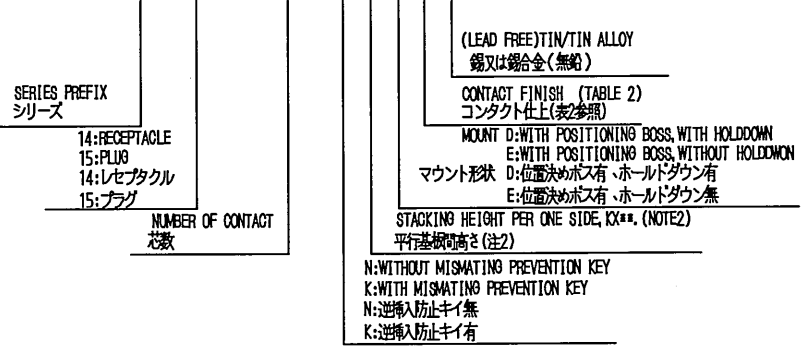


TABLE 2 CONTACT FINISH  
表2 仕上

FINISH 仕上記号	CONTACT AREA 接触部仕上	TERMINAL AREA 端子部仕上
△ NONE 無印	GOLD(0.1μm MIN) OVER NICKEL Ni/Au0.1μm以上	GOLD FLASH OVER NICKEL Ni/Auフラッシュ
1	GOLD(0.1μm MIN) OVER NICKEL Ni/Au0.1μm以上	(LEAD FREE) TIN/TIN ALLOY 錫又は錫合金(無鉛)
△ 2	GOLD(0.3μm MIN) OVER NICKEL Ni/Au0.3μm以上	GOLD FLASH OVER NICKEL Ni/Auフラッシュ

NOTE1. COPLANARITY: 0.1mm MAX.  
2. STACKING HEIGHT =  
HEIGHT OF KX14(RECEPTACLE) + HEIGHT OF KX15(PLUG)  
EX.: KX14-\*\*\*K8, KX15-\*\*\*K2 → 10mm=8+2  
3. PRODUCTION LOT NUMBER IS SHOWN AS INDICATED. (EXCEPT '\*\*\*K8D9E')  
(EX.) A 3 X 1 1  
LOT NUMBER OF CURRENT MONTH  
MONTH (1 TO 9 FOR JAN. TO SEPT. RESPECTIVELY,  
OCT.: 0, NOV.: X, DEC.: Y)  
YEAR (LAST DIGIT ONLY)  
MANUFACTURER CODE

注1. 端子の平坦度は、0.1以下。  
2. KX14(レセプタクル)の数と、KX15(プラグ)の数とを加えた値が  
平行基板間高さになります。  
3. 図示の面に、ロット番号を表示する。(\*\*\*K8D9Eを除く)  
(例) A 3 X 1 1  
月の生産ロット番号  
月表示: 1~9(10月: 0, 11月: X, 12月: Y)  
年表示(西暦末尾)  
製造コード

符号 NO.	名称 DESCRIPTION	個数 QTY.	材料 MATERIAL	仕上 FINISH	備考 REMARKS
3	HOLD DOWN	2	COPPER ALLOY	(LEAD FREE)TIN/TIN ALLOY	
2	INSULATOR	1	GLASS FILLED LCP		COLOR:BLACK
1	CONTACT	TABLE 1	COPPER ALLOY	TABLE 2	
仕様書(SPECIFICATION)		第1版(ORIGINAL DATE)		シリーズ(SERIES)	
JACS-1401-*		3.Mar.2003		KX	
一般公差(GENERAL TOLERANCE)		製図 DR.		名称(TITLE)	
寸法(DIMENSION) 角度(ANGLES)		担当 CHK.		KX14-***K8D*E	
. ±0.8 X° ±		査閲 APPD.		RECEPTACLE	
.X ±0.4 X°X' ±		承認 APPD.		質量(MASS)	
.XX ±0.1		承認 APPD.		K.SATOU	
.XXX ±				図面番号(DRAWING NO.)	
				SJ038007	
				版数 (REV.)	
				3	

LEAD FREE この製品は鉛フリー品です

DOF-0-212F(05.06)

