



Chipsmall Limited consists of a professional team with an average of over 10 year of expertise in the distribution of electronic components. Based in Hongkong, we have already established firm and mutual-benefit business relationships with customers from,Europe,America and south Asia,supplying obsolete and hard-to-find components to meet their specific needs.

With the principle of “Quality Parts,Customers Priority,Honest Operation,and Considerate Service”,our business mainly focus on the distribution of electronic components. Line cards we deal with include Microchip,ALPS,ROHM,Xilinx,Pulse,ON,Everlight and Freescale. Main products comprise IC,Modules,Potentiometer,IC Socket,Relay,Connector.Our parts cover such applications as commercial,industrial, and automotives areas.

We are looking forward to setting up business relationship with you and hope to provide you with the best service and solution. Let us make a better world for our industry!



Contact us

Tel: +86-755-8981 8866 Fax: +86-755-8427 6832

Email & Skype: info@chipsmall.com Web: www.chipsmall.com

Address: A1208, Overseas Decoration Building, #122 Zhenhua RD., Futian, Shenzhen, China



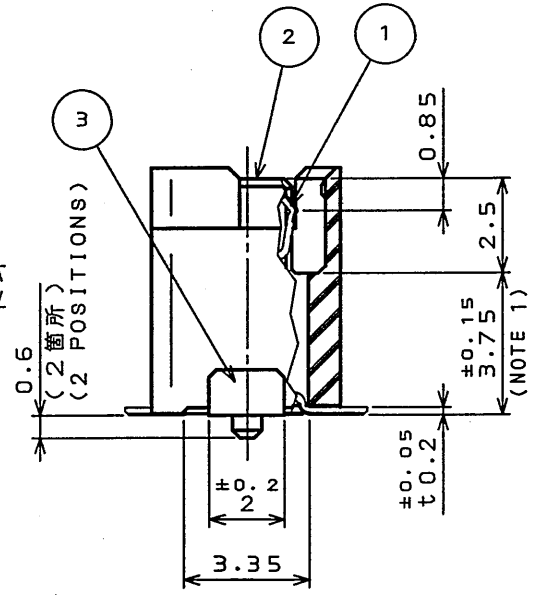
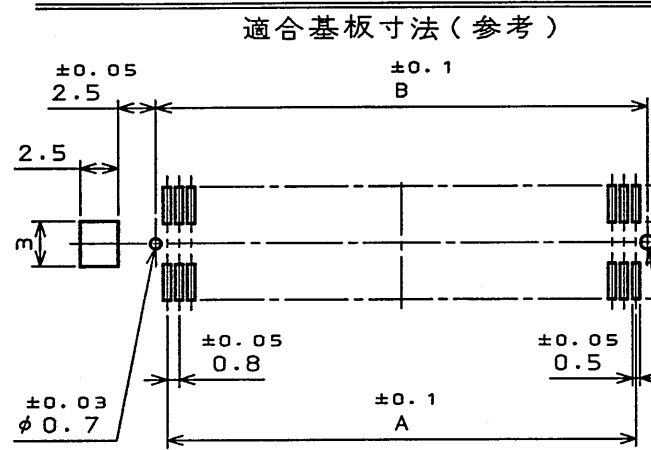
SJ037995
(ON 0NIMVHO) 台番図

版数 REV.	年月日 DATE	DCN NO.	変更内容 DESCRIPTION	製図 DR.	担当 CHK.	査閲 APPD.	承認 APPD.
2	8.Dec.2003	053944	REVISED TABLE 2		H.TAKAHASHI	Y.YAHIRO	S.Kashirogi

TABLE 2 CONTACT FINISH

仕上記号 FINISH	接触部仕上 CONTACT AREA	端子部仕上 TERMINAL AREA
無印 NONE	NI上Au0.1μm以上 GOLD (0.1μm MIN) OVER NICKEL	NI上Auフラッシュ GOLD FLASH OVER NICKEL
1	NI上Au0.1μm以上 GOLD (0.1μm MIN) OVER NICKEL	NI上または錫合金(無鉛) (LEAD FREE) TIN/TIN ALLOY

APPLICABLE P.C.B. DIMENSION (REF.)



MATED CONDITION (REF.)
嵌合状態図(参考) (SCALE 5:1)

DESIGNATION 命名法

KX14-***K5D*E

SERIES PREFIX

- 14:レセプタクル
- 15:プラグ
- 14:RECEPTACLE
- 15:PLUG

芯数 NO. OF CONTACTS

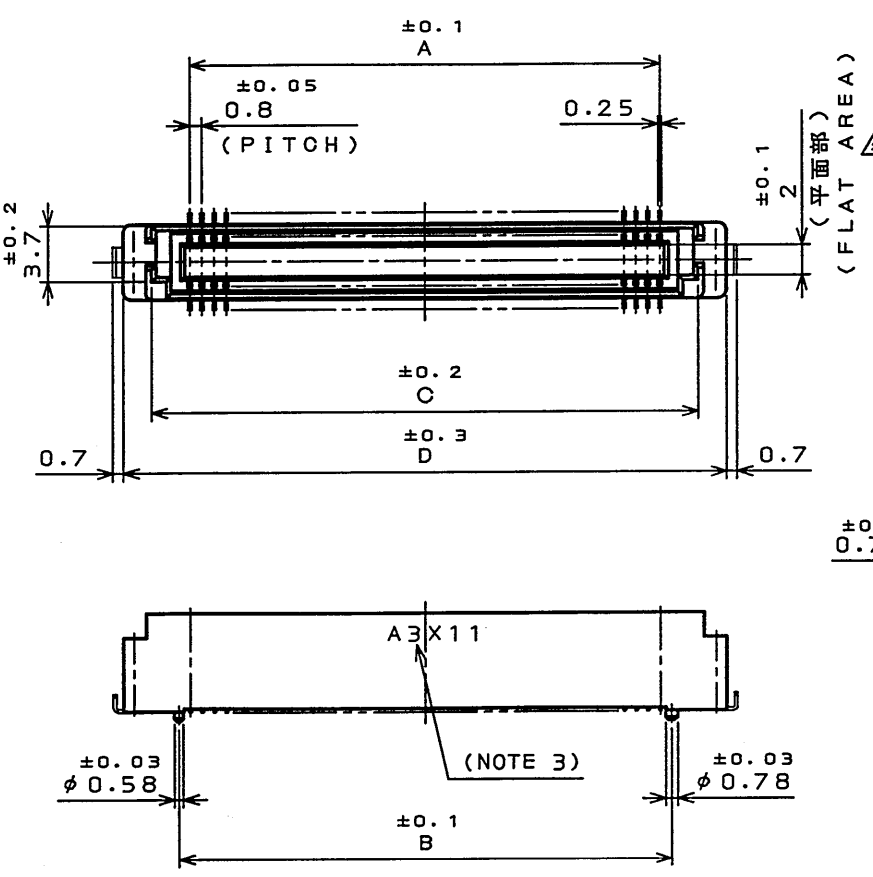
(LEAD FREE)TIN/TIN ALLOY
錫又は錫合金(無鉛)
CONTACT FINISH (TABLE 2)
マウント形状
D:位置決めボス有、ホールドダウン有
E:位置決めボス有、ホールドダウン無
MOUNT:
D:WITH POSITIONING BOSS, WITH HOLD-DOWN
E:WITH POSITIONING BOSS, WITHOUT HOLD-DOWN
平行基板間高さ
STACKING HEIGHT PER ONE SIDE, KX**.(NOTE2)
N:逆挿入防止キイ無
K:逆挿入防止キイ有
N:WITHOUT MISMATING PREVENTION KEY
K:WITH MISMATING PREVENTION KEY

TABLE 1 DIMENSION

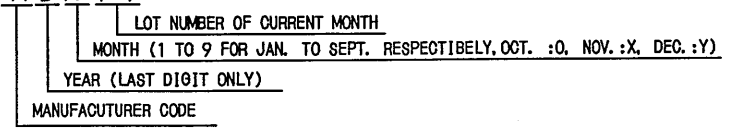
開発状態 DEVELOPMENT CONDITION	芯数 NO. OF CONTACT	A	B	C	D
○	20	7.2	8.7	12.3	16
○	30	11.2	12.7	16.3	20
○	40	15.2	16.7	20.3	24
○	50	19.2	20.7	24.3	28
○	60	23.2	24.7	28.3	32
○	70	27.2	28.7	32.3	36
○	80	31.2	32.7	36.3	40
○	100	39.2	40.7	44.3	48
○	120	47.2	48.7	52.3	56
○	140	55.2	56.7	60.3	64
○	160	63.2	64.7	68.3	72

○:開発済み DEVELOPED
×:開発予定 DEVELOPMENT PROGRAM

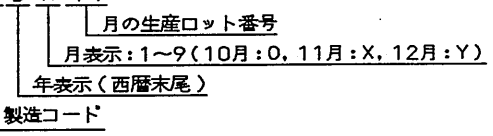
3	HOLD DOWN	2	COPPER ALLOY	(LEAD FREE)TIN/TIN ALLOY	
2	INSULATOR	1	GLASS FILLED LCP	COLOR:BLACK	
1	CONTACT	TABLE 1	COPPER ALLOY	TABLE 2	
符号 NO.	名称 DESCRIPTION	個数 QTY.	材料 MATERIAL	仕上 FINISH	備考 REMARKS
仕様書(SPECIFICATION)		第1版(ORIGINAL DATE)		尺(SCALE) シリーズ(SERIES)	
JAOS-1401-*		3.Mar.2003		JAE-CONNECTOR.COM	
公差(GENERAL TOLERANCE)		製図 DR.		名称(TITLE)	
M.HIRAKI		H.TAKAHASHI		KX14-***K5D*E	
寸法(DIMENSION)		査閲 APPD.		RECEPTACLE	
. ±0.8 X° ±		承認 APPD.		K.SATOU	
.X ±0.4 X°X° ±				重量(WEIGHT)	
.XX ±0.1				JAE	
.XXX ±				図面番号(DRAWING NO.)	
				SJ037995	
				版数 (REV.)	
				2	



- NOTE 1. COPLANARITY:0.1mm MAX.
2. STACKING HEIGHT = HEIGHT OF KX14 (RECEPTACLE) + HEIGHT OF KX15 (PLUG)
EX.:KX14-***K5, KX15-***K2 → 7mm=5+2
3. PRODUCTION LOT NUMBER AS INDICATED.
(EX.) A3X11



1. 端子の平坦度は、0.1以下。
2. KX14(レセプタクル)の数と、KX15(プラグ)の数とを加えた値が平行基板間高さになります。
3. 図示の面に、ロット番号を表示する。
(例) A3X11



DOF-0-212E(03.08)

LEAD FREE この製品は鉛フリー品です