



Chipsmall Limited consists of a professional team with an average of over 10 year of expertise in the distribution of electronic components. Based in Hongkong, we have already established firm and mutual-benefit business relationships with customers from,Europe,America and south Asia,supplying obsolete and hard-to-find components to meet their specific needs.

With the principle of “Quality Parts,Customers Priority,Honest Operation,and Considerate Service”,our business mainly focus on the distribution of electronic components. Line cards we deal with include Microchip,ALPS,ROHM,Xilinx,Pulse,ON,Everlight and Freescale. Main products comprise IC,Modules,Potentiometer,IC Socket,Relay,Connector.Our parts cover such applications as commercial,industrial, and automotives areas.

We are looking forward to setting up business relationship with you and hope to provide you with the best service and solution. Let us make a better world for our industry!



Contact us

Tel: +86-755-8981 8866 Fax: +86-755-8427 6832

Email & Skype: info@chipsmall.com Web: www.chipsmall.com

Address: A1208, Overseas Decoration Building, #122 Zhenhua RD., Futian, Shenzhen, China



SJ038015
(DRAWING NO.) (ON 0NIMVHD) 台要図

版数 REV.	年月日 DATE	DCN NO.	変更内容 DESCRIPTION	製図 DR.	担当 CHK.	査閲 APPD.	承認 APPD.
2	8.00.2003	053945	REVISED TABLE 2	E.MURANO	H.TAKAHASHI	Y.YAHIRO	S. Kashinagi

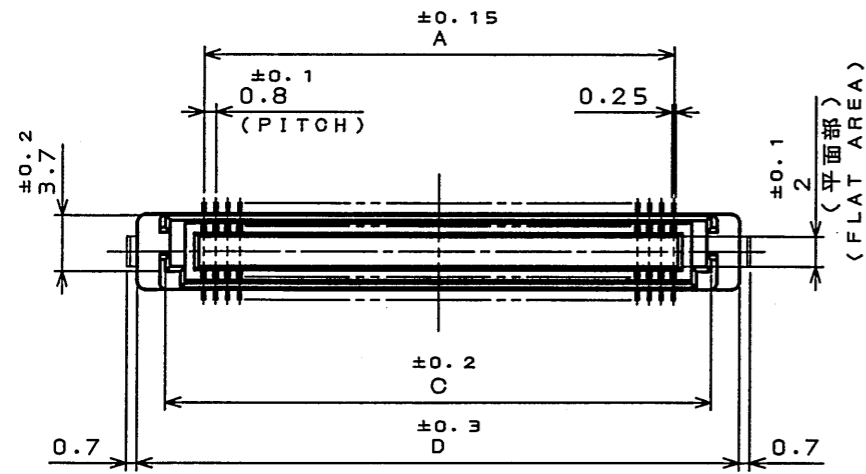
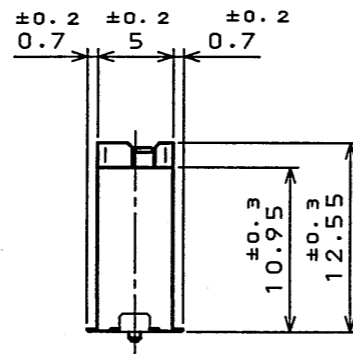
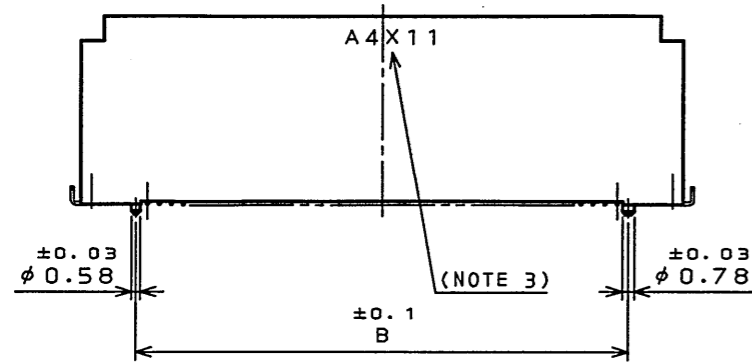
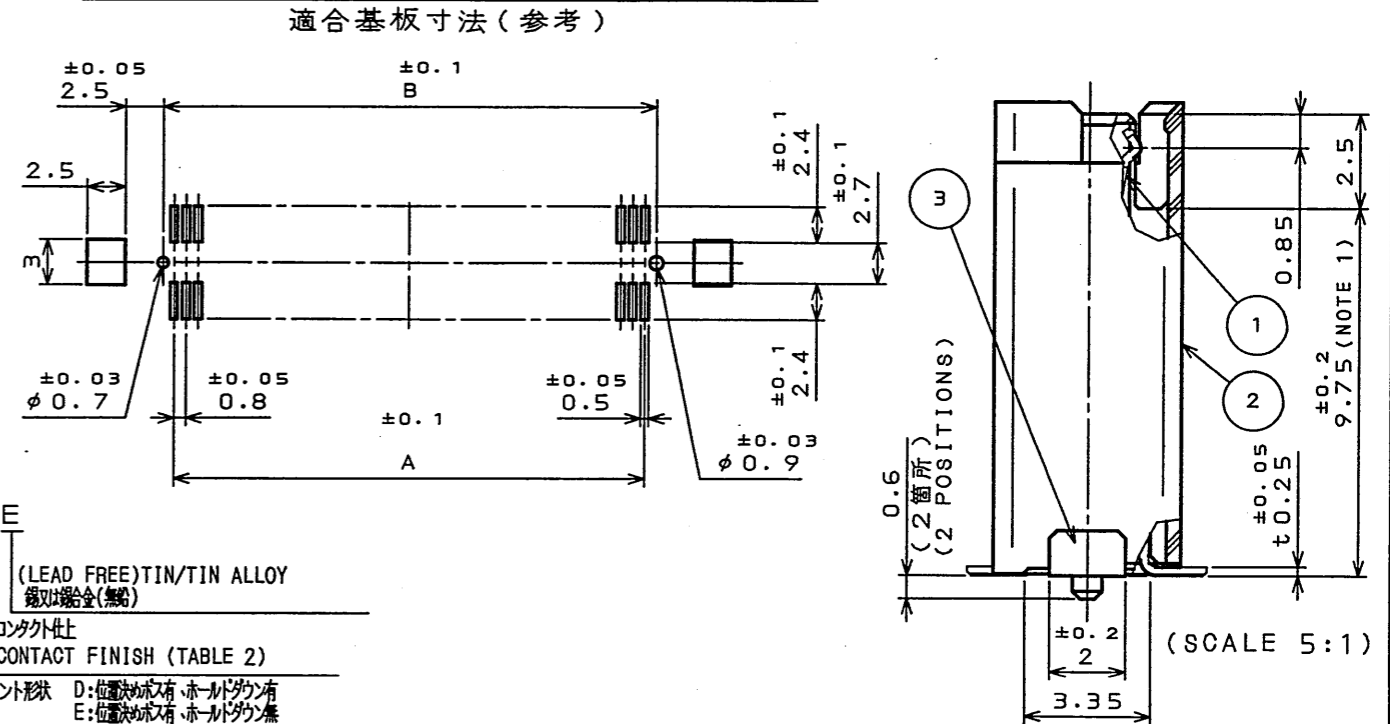


TABLE 2 CONTACT FINISH

仕上り記号 FINISH	接触部仕上 CONTACT AREA	端子部仕上 TERMINAL AREA
無印 NONE	NI上Au0.1μm以上 GOLD (0.1μm MIN) OVER NICKEL	NI上Auフラッシュ GOLD FLASH OVER NICKEL
1	NI上Au0.1μm以上 GOLD (0.1μm MIN) OVER NICKEL	錫または錫合金(無鉛) (LEAD FREE) TIN/TIN ALLOY

APPLICABLE P.C.B. DIMENSION (REF.)



DESIGNATION

命名法
KX14-***K11D*E

(LEAD FREE)TIN/TIN ALLOY
錫または錫合金(無鉛)

CONTACT FINISH (TABLE 2)

マウント形状 D:位置決めボス、ホルドダウン
E:位置決めボス、ホルドダウン無

MOUNT: D:WITH POSITIONING BOSS, WITH HOLD-DOWN
E:WITH POSITIONING BOSS, WITHOUT HOLD-DOWN

積層高さを
STACKING HEIGHT PER ONE SIDE, KX**.(NOTE2)

N:逆軌防止キ係
K:逆軌防止キ有
N:WITHOUT MISMATING PREVENTION KEY
K:WITH MISMATING PREVENTION KEY

極
NO. OF CONTACTS

14:レセプタクル
15:プラグ

シリーズ
SERIES PREFIX

TABLE 1 DIMENSION

開発状態 DEVELOPMENT CONDITION	芯数 NO. OF CONTACT	A	B	C	D
○	20	7.2	8.7	12.3	16
×	30	11.2	12.7	16.3	20
○	40	15.2	16.7	20.3	24
○	50	19.2	20.7	24.3	28
○	60	23.2	24.7	28.3	32
○	70	27.2	28.7	32.3	36
×	80	31.2	32.7	36.3	40
○	100	39.2	40.7	44.3	48
×	120	47.2	48.7	52.3	56
×	140	55.2	56.7	60.3	64

○ : 開発済み × : 開発予定
: DEVELOPED : DEVELOPMENT PROGRAM

NOTE 1. COPLANARITY:0.1mm MAX.

2. STACKING HEIGHT = HEIGHT OF KX14 (RECEPTACLE)
+ HEIGHT OF KX15 (PLUG)

EX. :KX14-***K11E, KX15-***K2E → 13mm=11+2

3. PRODUCTION LOT NUMBER AS INDICATED. (EXCEPT '**K11D9E')

(EX.) A 4 X 1 1

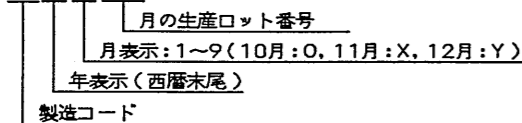
LOT NUMBER OF CURRENT MONTH
MONTH (1 TO 9 FOR JAN. TO SEPT. RESPECTIBELY, OCT. :0, NOV. :X, DEC. :Y)
YEAR (LAST DIGIT ONLY)
MANUFACTURER CODE

注1. 端子の平坦度は、0.1以下。

2. KX14 (レセプタクル) の数と、KX15 (プラグ) の数とを加えた値が
平行基板間高さになります。

3. 図示の面に、ロット番号を表示する。(**K11D9Eを除く)

(例) A 4 X 1 1



符号 NO.	名称 DESCRIPTION	個数 QTY.	材料 MATERIAL	仕上 FINISH	備考 REMARKS
3	HOLD DOWN	2	COPPER ALLOY	(LEAD FREE)TIN/TIN ALLOY	
2	INSULATOR	1	GLASS FILLED LCP		COLOR : BLACK
1	CONTACT	TABLE 1	COPPER ALLOY	TABLE 2	
仕様書 (SPECIFICATION) JACS-1401-*		第1版 (ORIGINAL DATE) 3.Mar.2003		尺 (SCALE) 2:1	
一般公差 (GENERAL TOLERANCE)		製図 DR. S.MIURA		名称 (TITLE) KX14-***K11D*E	
寸法 (DIMENSION)		担当 CHK. H.TAKAHASHI		査閲 APPD.	
角度 (ANGLES)		査閲 APPD.		承認 APPD. K.SATOU	
. ±0.8 X° ±		.X ±0.4 X°X' ±		重量 (WEIGHT)	
.XX ±0.1		.XXX ±		RECEPTACLE	
				図面番号 (DRAWING NO.) SJ038015	

LEAD FREE この製品は鉛フリー品です

DOF-0-212E (03.09)

0 10 20 30 40 50 60 70 80 90 100

MAZIS 版数 (REV.) 2