



Chipsmall Limited consists of a professional team with an average of over 10 year of expertise in the distribution of electronic components. Based in Hongkong, we have already established firm and mutual-benefit business relationships with customers from,Europe,America and south Asia,supplying obsolete and hard-to-find components to meet their specific needs.

With the principle of “Quality Parts,Customers Priority,Honest Operation,and Considerate Service”,our business mainly focus on the distribution of electronic components. Line cards we deal with include Microchip,ALPS,ROHM,Xilinx,Pulse,ON,Everlight and Freescale. Main products comprise IC,Modules,Potentiometer,IC Socket,Relay,Connector.Our parts cover such applications as commercial,industrial, and automotives areas.

We are looking forward to setting up business relationship with you and hope to provide you with the best service and solution. Let us make a better world for our industry!



## Contact us

Tel: +86-755-8981 8866 Fax: +86-755-8427 6832

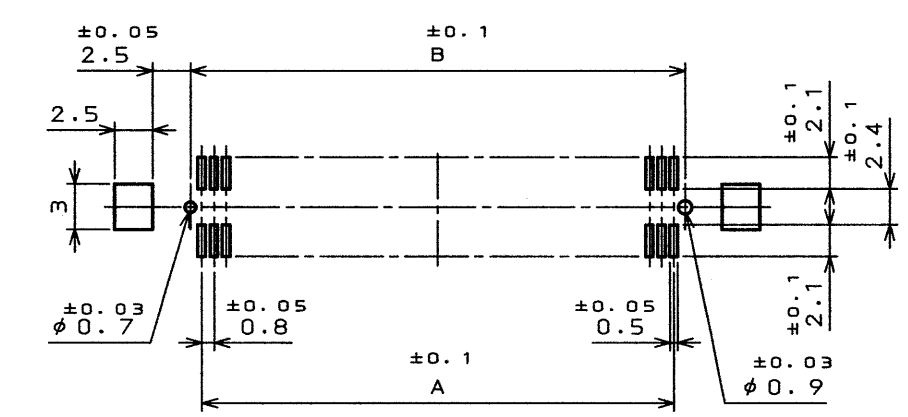
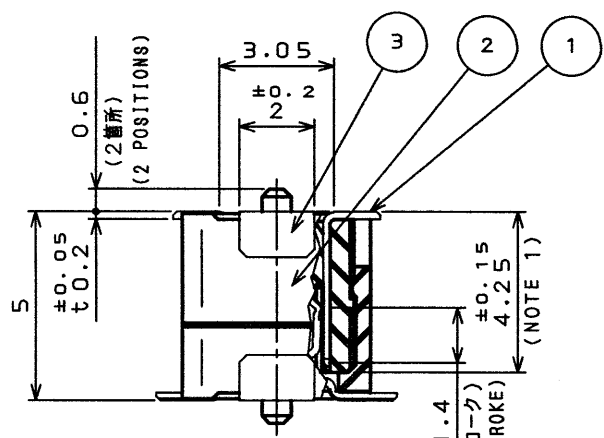
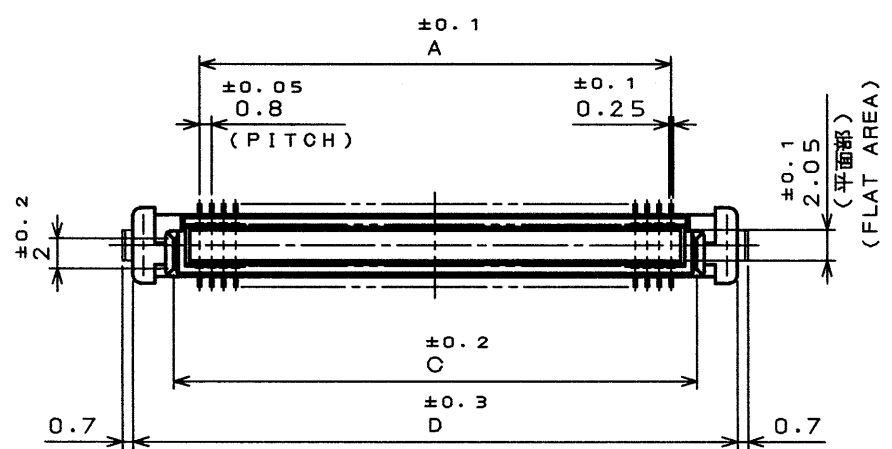
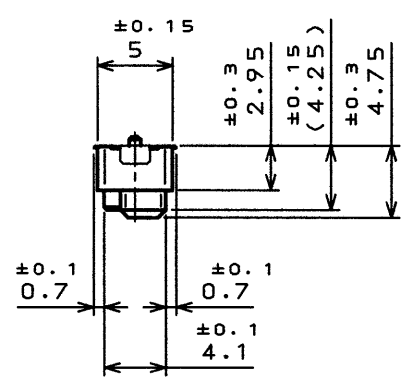
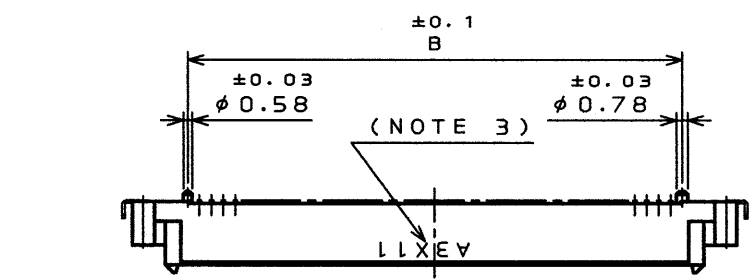
Email & Skype: info@chipsmall.com Web: www.chipsmall.com

Address: A1208, Overseas Decoration Building, #122 Zhenhua RD., Futian, Shenzhen, China



8808E0RS  
( 'ON 0NIMVHD ) 台巻図

版数 REV.	年月日 DATE	DCN NO.	変更内容 DESCRIPTION	製図 DR.	担当 CHK.	査閲 APPD.	承認 APPD.



DESIGNATION  
命名法

KX15-\*\*\*K3D\*E

錫又は錫合金(無鉛)  
(LEAD FREE)TIN/TIN ALLOY  
CONTACT FINISH (TABLE 2)  
マウント形状  
D:位置決めボス有、ホールダウン有  
E:位置決めボス有、ホールダウン無  
MOUNT:  
D:WITH POSITIONING BOSS, WITH HOLD-DOWN  
E:WITH POSITIONING BOSS, WITHOUT HOLD-DOWN  
平行基板間高さ  
STACKING HEIGHT PER ONE SIDE, KX\*\*.(NOTE2)  
N:逆挿入防止キイ無  
K:逆挿入防止キイ有  
N:WITHOUT MISMATING PREVENTION KEY  
K:WITH MISMATING PREVENTION KEY

芯数  
NO. OF CONTACTS

14:レセプタクル  
15:プラグ  
14:RECEPTACLE  
15:PLUG

シリーズ  
SERIES PREFIX

TABLE 1 DIMENSION

開発状態 DEVELOPMENT CONDITION	芯数 NO. OF CONTACT	A	B	C	D
○	20	7.2	8.7	10.6	16
○	30	11.2	12.7	14.6	20
○	40	15.2	16.7	18.6	24
○	50	19.2	20.7	22.6	28
○	60	23.2	24.7	26.6	32
○	70	27.2	28.7	30.6	36
○	80	31.2	32.7	34.6	40
○	100	39.2	40.7	42.6	48
○	120	47.2	48.7	50.6	56
○	140	55.2	56.7	58.6	64
○	160	63.2	64.7	66.6	72

○:開発済み X:開発予定  
:DEVELOPED :DEVELOPMENT PROGRAM

TABLE 2 CONTACT FINISH

仕上り FINISH	接触部仕上 CONTACT AREA	端子部仕上 TERMINAL AREA
無印 NONE	NI上Au0.1μm以上 GOLD (0.1μm MIN) OVER NICKEL	NI上Auフラッシュ GOLD FLASH OVER NICKEL
1	NI上Au0.1μm以上 GOLD (0.1μm MIN) OVER NICKEL	NI上錫又は錫合金(無鉛) (LEAD FREE) TIN/TIN ALLOY

MATED CONDITION (REF.)

嵌合状態図(参考) (SCALE 5:1)

APPLICABLE P.C.B. DIMENSION (REF.)

適合基板寸法(参考)

NOTE 1. COPLANARITY:0.1mm MAX.  
2. STACKING HEIGHT = HEIGHT OF KX14 (RECEPTACLE)  
+ HEIGHT OF KX15 (PLUG)  
EX.:KX14-\*\*\*K2, KX15-\*\*\*K3 → 5mm=2+3  
3. PRODUCTION LOT NUMBER AS INDICATED.  
(EX.) A3X11  
LOT NUMBER OF CURRENT MONTH  
MONTH (1 TO 9 FOR JAN. TO SEPT. RESPECTIBELY,  
OCT. :0, NOV. :X, DEC. :Y)  
YEAR (LAST DIGIT ONLY)  
MANUFACTURER CODE

1. 端子の平坦度は、0.1以下。  
2. KX14(レセプタクル)の数と、KX15(プラグ)の  
数とを加えた値が平行基板間高さになります。  
3. 図示の面に、ロット番号を表示する。  
(例) A3X11  
月の生産ロット番号  
月表示:1~9(10月:0, 11月:X, 12月:Y)  
年表示(西暦末尾)  
製造コード

3	HOLD DOWN	2	COPPER ALLOY	(LEAD FREE)TIN/TIN ALLOY	
2	INSULATOR	1	GLASS FILLED PPS		COLOR : BLACK
1	CONTACT	TABLE 1	COPPER ALLOY	TABLE 2	
符号 NO.	名称 DESCRIPTION	個数 QTY.	材料 MATERIAL	仕上 FINISH	備考 REMARKS
仕様書(SPECIFICATION) JACS-1401-*	第1版(ORIGINAL DATE) 3.Mar.2003	尺取(SCALE) 2:1	シリーズ(SERIES) KX	日本航空電子工業株式会社 JAPAN AVIATION ELECTRONICS INDUSTRY, LTD.	
製図 DR.	M.HIRAKI	名称(TITLE) KX15-***K3D*E PLUG			
一般公差(GENERAL TOLERANCE)	担当 CHK. H.TAKAHASHI	重量(WEIGHT)			
寸法(DIMENSION)	査閲 APPD.	図面番号(DRAWING NO.) SJ038088			
角度(ANGLES)	承認 APPD. S. Kashinagi	版数 (REV.) 1			
±0.8	X° ±				
.X ±0.4	X°X' ±				
.XX ±0.1					
.XXX ±					

LEAD FREE この製品は鉛フリー品です

JAE CONNECTOR DIV. PROPRIETARY.  
COPYRIGHT (C) 2003, JAPAN AVIATION ELECTRONICS INDUSTRY, LTD.

DOF-0-212D(98.02)

CDS-03-199-50088

SIZE A3