



Chipsmall Limited consists of a professional team with an average of over 10 year of expertise in the distribution of electronic components. Based in Hongkong, we have already established firm and mutual-benefit business relationships with customers from,Europe,America and south Asia,supplying obsolete and hard-to-find components to meet their specific needs.

With the principle of “Quality Parts,Customers Priority,Honest Operation,and Considerate Service”,our business mainly focus on the distribution of electronic components. Line cards we deal with include Microchip,ALPS,ROHM,Xilinx,Pulse,ON,Everlight and Freescale. Main products comprise IC,Modules,Potentiometer,IC Socket,Relay,Connector.Our parts cover such applications as commercial,industrial, and automotives areas.

We are looking forward to setting up business relationship with you and hope to provide you with the best service and solution. Let us make a better world for our industry!



## Contact us

Tel: +86-755-8981 8866 Fax: +86-755-8427 6832

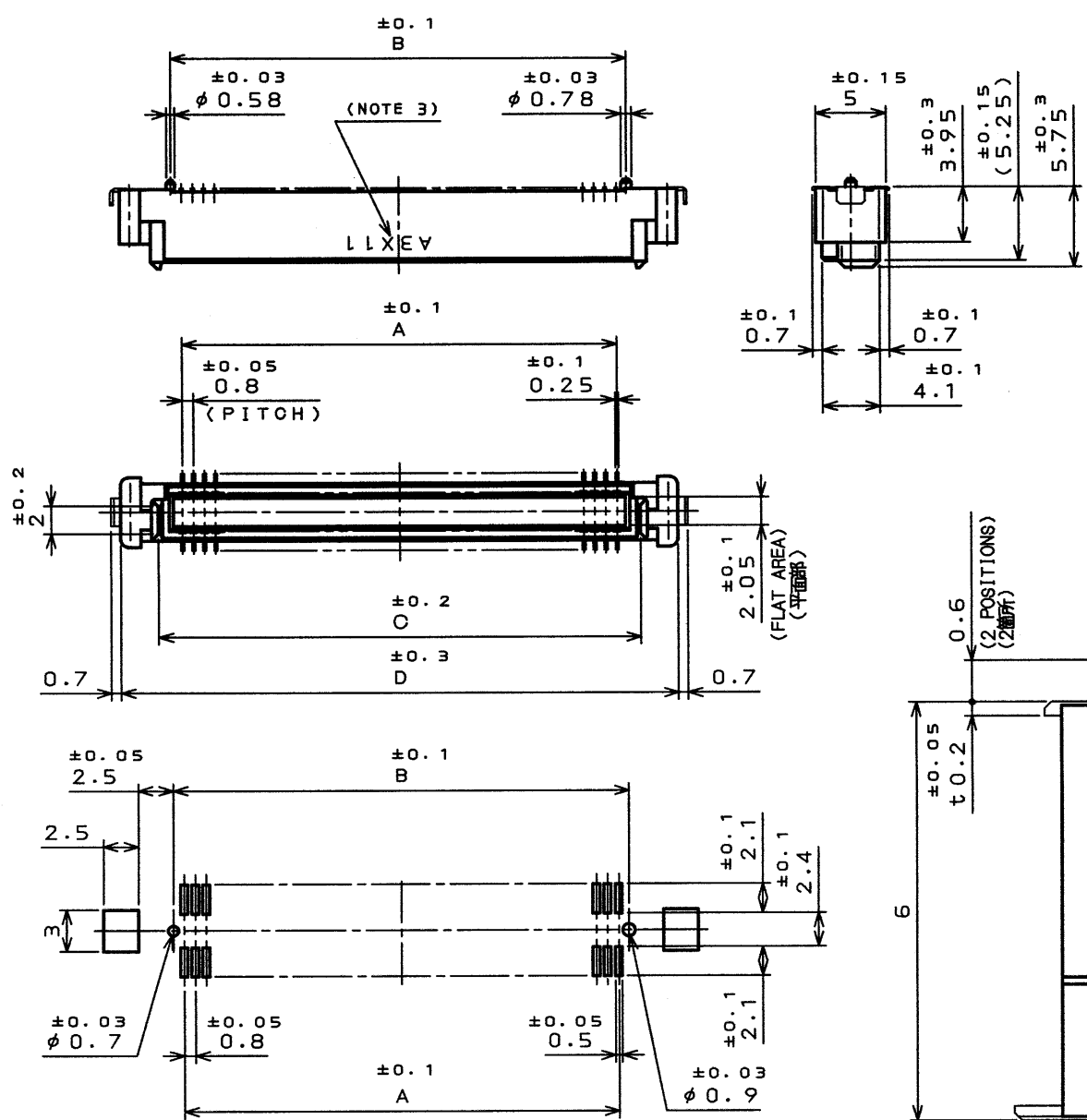
Email & Skype: info@chipsmall.com Web: www.chipsmall.com

Address: A1208, Overseas Decoration Building, #122 Zhenhua RD., Futian, Shenzhen, China



6808E0RS  
(ON DRAWING NO.)

版数 REV.	年月日 DATE	DCN NO.	変更内容 DESCRIPTION	製図 DR.	担当 CHK.	査閲 APPD.	承認 APPD.



APPLICABLE P.C.B. DIMENSION(REF.)  
適合基板寸法(参考)

MATED CONDITION(REF.)  
嵌合状態図(参考)  
(SCALE 10:1)

DESIGNATION  
命名法

KX15-\*\*\*K4D\*E

SERIES PREFIX シリーズ  
14: RECEPTACLE  
15: PLUG  
14: レセプタクル  
15: プラグ

NO. OF CONTACT 芯数

N: WITHOUT MISMATCHING PREVENTION KEY  
K: WITH MISMATCHING PREVENTION KEY  
N: 逆挿入防止キイ無  
K: 逆挿入防止キイ有

(LEAD FREE) TIN/TIN ALLOY  
錫又は錫合金(無鉛)

CONTACT FINISH (TABLE 2)  
コンタクト仕上(表2参照)

MOUNT:  
D: WITH POSITIONING BOSS. WITH HOLD-DOWN  
E: WITH POSITIONING BOSS. WITHOUT HOLD-DOWN  
マウント形状  
D: 位置決めボス有、ホルドダウン有  
E: 位置決めボス有、ホルドダウン無

STACKING HEIGHT PER ONE SIDE, KX\*\* (NOTE 2)  
平行基板間高さ(注2)

NOTE 1. COPLANARITY: 0.1mm MAX.  
2. STACKING HEIGHT = HEIGHT OF KX15 OF KX14 (RECEPTACLE) + HEIGHT OF KX15 (PLUG)  
EX.: KX14-\*\*\*K5, KX15-\*\*\*K2 → 7mm=5+2  
3. PRODUCTION LOT NUMBER IS SHOWN AS INDICATED.  
注1. 端子の平坦度は、0.1以下。  
注2. KX14(レセプタクル)の数と、KX15(プラグ)の数とを加えた値が平行基板間高さになります。  
注3. 図示の面に、ロット番号を表示する。  
(EX.) A 3 X 11  
(例) A 3 X 11

TABLE 1 DIMENTION  
表1 寸法

DEVELOPMENT CONDITION 開発状態	No. OF CONTACT 芯数	A	B	C	D
○	20	7.2	8.7	10.6	16
○	30	11.2	12.7	14.6	20
○	40	15.2	16.7	18.6	24
○	50	19.2	20.7	22.6	28
○	60	23.2	24.7	26.6	32
○	70	27.2	28.7	30.6	36
○	80	31.2	32.7	34.6	40
○	100	39.2	40.7	42.6	48
○	120	47.2	48.7	50.6	56
○	140	55.2	56.7	58.6	64

○: DEVELOPED    ×: DEVELOPMENT PROGRAM  
○: 開発済み    ×: 開発予定

TABLE 2 CONTACT FINISH  
表2 仕上

FINISH 仕上記号	CONTACT AREA 接触部仕上	TERMINAL AREA 端子部仕上
NONE 無印	GOLD (0.1μm MIN) OVER NICKEL Ni/Au0.1μm以上	GOLD FLASH OVER NICKEL Ni/Auフラッシュ
1	GOLD (0.1μm MIN) OVER NICKEL Ni/Au0.1μm以上	(LEAD FREE) TIN/TIN ALLOY 錫又は錫合金(無鉛)

3	HOLD DOWN	2	COPPER ALLOY	(LEAD FREE) TIN/TIN ALLOY
2	INSULATOR	1	GLASS FILLED PPS	COLOR : BLACK
1	CONTACT	TABLE 1	COPPER ALLOY	TABLE 2
符号 NO.	名称 DESCRIPTION	個数 QTY.	材料 MATERIAL	仕上 FINISH
仕様書(SPECIFICATION) JACS-1401-*	第1版(ORIGINAL DATE) 3.Mar.2003	尺(SCALE) 2:1	シリーズ(SERIES) KX15-***K4D*E	備考 REMARKS 日本航空電子工業株式会社 JAPAN AVIATION ELECTRONICS INDUSTRY, LTD.
製図 DR.	M.HIRAKI	名称(TITLE) KX15-***K4D*E PLUG	重量(WEIGHT)	図面番号(DRAWING NO.) SJ038089
公差(GENERAL TOLERANCE)	担当 CHK. H.TAKAHASHI	承認 APPD.	承認 APPD. S. Kashinagi	版数 (REV.) 1
寸法(DIMENSION)	角度(ANGLES)			
. ±0.8	×° ±			
.X ±0.4	×°X ±			
.XX ±0.1				
.XXX ±				

LEAD FREE この製品は鉛フリー品です

DOF-0-212D(98.02)

80085-199-50085