



Chipsmall Limited consists of a professional team with an average of over 10 year of expertise in the distribution of electronic components. Based in Hongkong, we have already established firm and mutual-benefit business relationships with customers from,Europe,America and south Asia,supplying obsolete and hard-to-find components to meet their specific needs.

With the principle of “Quality Parts,Customers Priority,Honest Operation,and Considerate Service”,our business mainly focus on the distribution of electronic components. Line cards we deal with include Microchip,ALPS,ROHM,Xilinx,Pulse,ON,Everlight and Freescale. Main products comprise IC,Modules,Potentiometer,IC Socket,Relay,Connector.Our parts cover such applications as commercial,industrial, and automotives areas.

We are looking forward to setting up business relationship with you and hope to provide you with the best service and solution. Let us make a better world for our industry!



Contact us

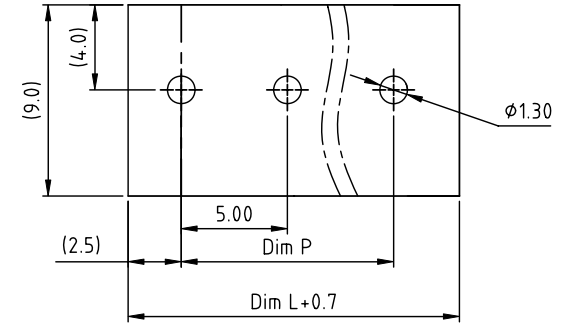
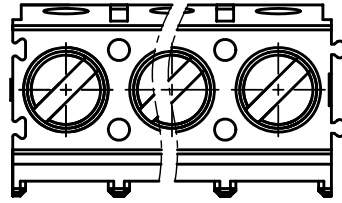
Tel: +86-755-8981 8866 Fax: +86-755-8427 6832

Email & Skype: info@chipsmall.com Web: www.chipsmall.com

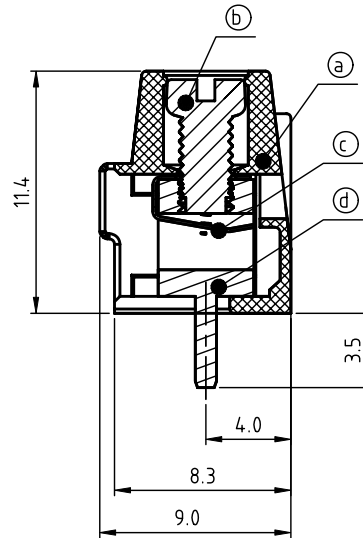
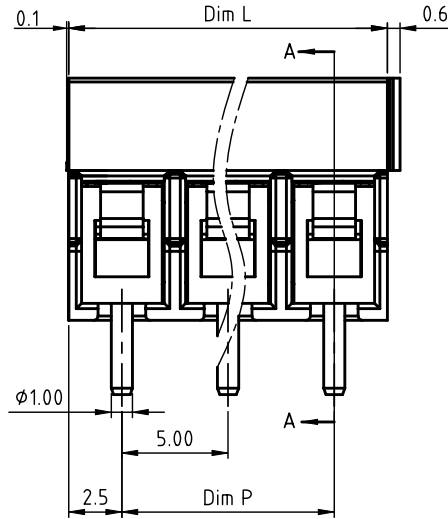
Address: A1208, Overseas Decoration Building, #122 Zhenhua RD., Futian, Shenzhen, China



PRODUCT NUMBER	PITCH
KYxx01x000J0G	5.00 mm



RECOMMENDED P.C.B LAYOUT
TOP VIEW



SECTION A-A

Materials

- Item (a) Terminal housing: Thermoplastic (UL 94V-0)
- Item (b) Terminal screw: Steel Zinc plating ("-" slot type)
- Item (c) Wire guard: Stainless steel
- Item (d) Terminal body: Brass (CuZn), Tin Plated

- | | | |
|--|-------|------------------------|
| Electrical | cULus | CQC |
| ● Voltage rating: 300VAC | | 250VAC |
| ● Current rating: 15A | | 24A |
| ● Wire range: | | |
| ● Solid wire: 12-24 AWG | | 0.2-2.5mm ² |
| ● Stranded wire: 12-24 AWG | | 0.2-2.5mm ² |
| ● Torque: 3.0 Lb-In | | 0.4N.m |
| ● Screw: M2.6 | | |
| ● Wire strip length: 5-6mm | | |
| ● Withstanding Voltage: 1.6KV | | 2KV |
| ● Operating temperature: -40°C to +115°C | | |
| ● Soldering temperature: 260°C±5°C/5 Sec | | |
| ● Safety Approval: | ULus | CQC |

N = Number of poles
Dim L = N x 5.0
Dim P = (N-1) x 5.0

Poles	Dim	Dim L	Dim P
2-6p		±0.15	±0.10
7-12p		±0.20	±0.20
13-18p		±0.30	±0.25
19-24p		±0.40	±0.30

PART NO.: KY xx 01 x 0 00J0 G

- | | | |
|---------------|----------------------|-----------------|
| End stackable | Body Color | RoHS compliant |
| No. of poles | 0 Black (RAL9005) | (lead<4%) |
| 02 2 poles | 2 Red (RAL3001/D) | In copper Alloy |
| 03 3 poles | 3 Orange (RAL2011/P) | |
| ... | 4 Yellow (RAL1018/A) | |
| 24 24 poles | 5 Green (RAL6018/T) | |
| | 6 Blue (RAL5015/A) | |
| | 8 Grey (RAL7035/D) | |
| | 9 White (RAL1102) | |
| | C Green (RAL6018/U) | |

mat'l. code		surface ASME Y14.5	tolerance ASME Y14.5	projection	product family TERMINAL BLOCK
ltr	ecn no	dr	date	tolerances unless otherwise specified	title TERMINAL BLOCK
				angles X°±1°	WIRE PROTECTOR, SQUARE HOLE, 180D WIRE INLET
				scale	MM
		dr	EVIN ZHONG 040214		dwg no KYxx01x000J0G
		enr	EVIN ZHONG 040214		sheet 1 of 1 size A4
		chr	HANKE FENG 040214		type CUSTOMER Drawing
		appd	SHI JUN 040214		
sheet index	revision sheet	A	1		