



Chipsmall Limited consists of a professional team with an average of over 10 year of expertise in the distribution of electronic components. Based in Hongkong, we have already established firm and mutual-benefit business relationships with customers from,Europe,America and south Asia,supplying obsolete and hard-to-find components to meet their specific needs.

With the principle of “Quality Parts,Customers Priority,Honest Operation,and Considerate Service”,our business mainly focus on the distribution of electronic components. Line cards we deal with include Microchip,ALPS,ROHM,Xilinx,Pulse,ON,Everlight and Freescale. Main products comprise IC,Modules,Potentiometer,IC Socket,Relay,Connector.Our parts cover such applications as commercial,industrial, and automotives areas.

We are looking forward to setting up business relationship with you and hope to provide you with the best service and solution. Let us make a better world for our industry!



## Contact us

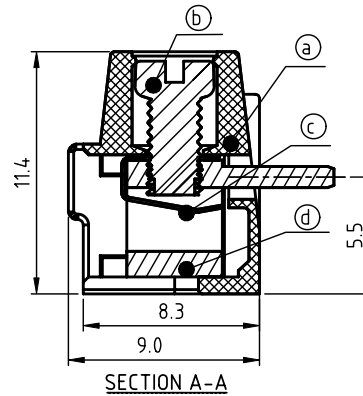
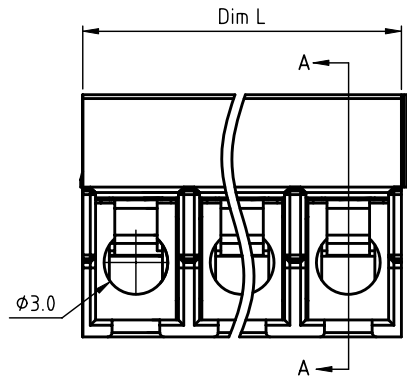
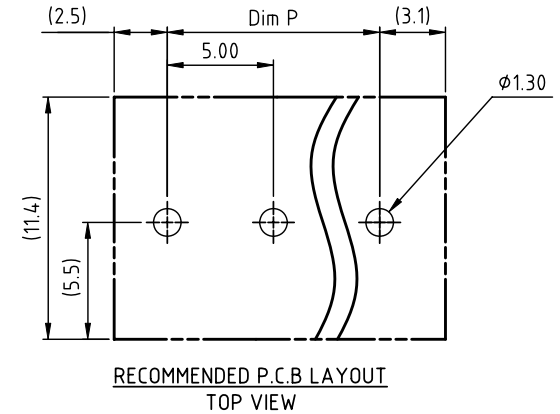
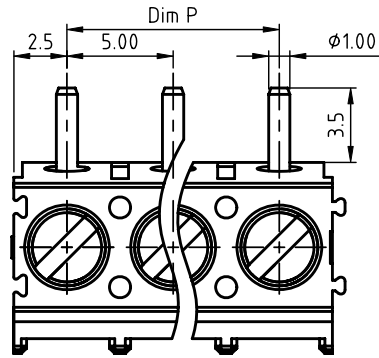
Tel: +86-755-8981 8866 Fax: +86-755-8427 6832

Email & Skype: info@chipsmall.com Web: www.chipsmall.com

Address: A1208, Overseas Decoration Building, #122 Zhenhua RD., Futian, Shenzhen, China



PRODUCT NUMBER	PITCH
KYxx01x300J0G	5.00 mm



Materials

- Item ① Terminal housing: Thermoplastic (UL 94V-0)
- Item ② Terminal screw: Steel Zinc plating ("-" slot type)
- Item ③ Wire guard: Stainless steel
- Item ④ Terminal body: Brass (CuZn), Tin Plated

Electrical	cULus	CQC
● Voltage rating: 300VAC		250VAC
● Current rating: 15A		24A
● Wire range:		
● Solid wire: 12-24 AWG		0.2-2.5mm <sup>2</sup>
● Stranded wire: 12-24 AWG		0.2-2.5mm <sup>2</sup>
● Torque: 3.0 Lb-In		0.4 N.m
● Screw: M2.6		
● Wire strip length: 5-6mm		
● Withstanding Voltage: 1.6KV		2KV
● Operating temperature: -40°C to +115°C		
● Soldering temperature: 260°C±5°C/5 Sec		
● Safety Approval:	ULus	CQC

N = Number of poles  
 Dim L = N x 5.0  
 Dim P = (N-1) x 5.0

PART NO.: KY xx 01 x 3 00J0 G

Poles	Dim. Dim L	Dim P
2-6p	±0.15	±0.10
7-12p	±0.20	±0.20
13-18p	±0.30	±0.25
19-24p	±0.40	±0.30

	End stackable	Body Color	RoHS compliant
No. of poles	0	Black (RAL9005)	(lead<4%)
02 2 poles	2	Red (RAL3001/D)	In copper Alloy
03 3 poles	3	Orange (RAL2011/P)	
...	...	Yellow (RAL1018/A)	
24 24 poles	5	Green (RAL6018/T)	
	6	Blue (RAL5015/A)	
	8	Grey (RAL7035/D)	
	9	White (RAL1102)	
	C	Green (RAL6018/U)	

mat'l. code				surface ASME Y14.5		tolerance ASME Y14.5		projection		product family		
ltr	ecn	no	dr	date	tolerances unless otherwise specified				TERMINAL BLOCK			
					angles	X.±0.5			title			
						X.X±0.3	MM		TERMINAL BLOCK			
					X*±1"	X.XX±0.1	scale		WIRE PROTECTOR, ROUND HOLE, 90D WIRE INLET			
					dr	EVIN ZHONG 040214			dwg no		sheet 1 of 1	size
					enr	EVIN ZHONG 040214			KYxx01x300J0G			A4
					chr	HANKE FENG 040214			type		CUSTOMER Drawing	
					appd	SHI JUN 040214						
sheet index	revision	A										
	sheet	1										