



Chipsmall Limited consists of a professional team with an average of over 10 year of expertise in the distribution of electronic components. Based in Hongkong, we have already established firm and mutual-benefit business relationships with customers from,Europe,America and south Asia,supplying obsolete and hard-to-find components to meet their specific needs.

With the principle of “Quality Parts,Customers Priority,Honest Operation,and Considerate Service”,our business mainly focus on the distribution of electronic components. Line cards we deal with include Microchip,ALPS,ROHM,Xilinx,Pulse,ON,Everlight and Freescale. Main products comprise IC,Modules,Potentiometer,IC Socket,Relay,Connector.Our parts cover such applications as commercial,industrial, and automotives areas.

We are looking forward to setting up business relationship with you and hope to provide you with the best service and solution. Let us make a better world for our industry!



Contact us

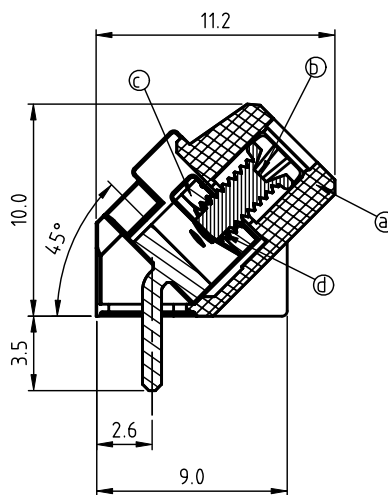
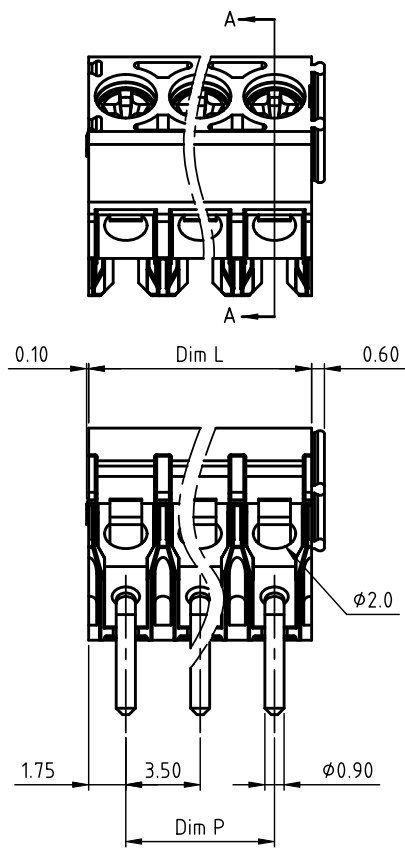
Tel: +86-755-8981 8866 Fax: +86-755-8427 6832

Email & Skype: info@chipsmall.com Web: www.chipsmall.com

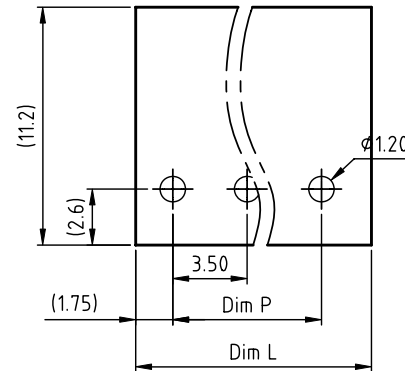
Address: A1208, Overseas Decoration Building, #122 Zhenhua RD., Futian, Shenzhen, China



PRODUCT NUMBER	PITCH
KZxx10x100J0G	3.50 mm



SECTION A-A



RECOMMENDED P.C.B LAYOUT
TOP VIEW

Materials

- Item@ Terminal housing : Thermoplastic (UL94V-0)
- ItemⒹ Terminal screw: Steel Zinc plating "+/-" slot type
- ItemⒸ Wire guard : Stainless steel
- ItemⒺ Terminal body: Brass(CuZn) ,Tin Plated

Electrical cULus

- Voltage rating: 300VAC
- Current rating: 15A
- Wire range:
 - Solid wire(AWG): 12-26
 - Stranded wire(AWG): 12-26
- Torque(Lb-In): 3.5
- Screw: M2.6
- Wire strip length: 5-6mm
- Withstanding Voltage: 1.6KV
- Operating temperature: -40°C to +115°C
- Soldering temperature: 260°C±5°C/5 Sec
- Safety Approval:

N = Number of poles
Dim L=Nx3.5
Dim P=(N-1)x3.5

Poles	Dim.	Dim L	Dim P
2-6p		±0.15	±0.10
7-12p		±0.20	±0.15
13-18p		±0.25	±0.20
19-24p		±0.30	±0.25

PART NO.: KZ xx 1 0 x 1 00J0 G

- End stackable
 - No. of poles
 - 0 2 poles
 - 2 3 poles
 - 3 ...
 - 4 24 poles
 - 5
 - 6
 - 8
 - 9
 - C
- Body Color
- 0 Black (RAL9005)
 - 2 Red (RAL3001/D)
 - 3 Orange(RAL2011/P)
 - 4 Yellow(RAL1018/A)
 - 5 Green(RAL6018/T)
 - 6 Blue (RAL5015/A)
 - 8 Grey(RAL7035/D)
 - 9 White(RAL1102)
 - C Green(RAL6018/U)
- RoHS compliant (lead<4%)
In copper Alloy

mat'l. code		surface ASME Y14.5	tolerance ASME Y14.5	projection	product family
ltr	ecn no	dr	date		TERMINAL BLOCK
tolerances unless otherwise specified				MM	title
angles	±	X.±0.5		scale	TERMINAL BLOCK
±	±	X.X±0.3			WIRE PROTECTOR,ROUND HOLE,45D WIRE INLET
X*±1*	±	X.XX±0.1		dwg no	sheet 1 of 1 size
dr	EVIN ZHONG	040314		KZxx10x100J0G	A4
enr	EVIN ZHONG	040314		type	CUSTOMER Drawing
chr	HANKE FENG	040314			
appd	SHI JUN	040314			
sheet index	revision sheet	A	1		