



Chipsmall Limited consists of a professional team with an average of over 10 year of expertise in the distribution of electronic components. Based in Hongkong, we have already established firm and mutual-benefit business relationships with customers from,Europe,America and south Asia,supplying obsolete and hard-to-find components to meet their specific needs.

With the principle of “Quality Parts,Customers Priority,Honest Operation,and Considerate Service”,our business mainly focus on the distribution of electronic components. Line cards we deal with include Microchip,ALPS,ROHM,Xilinx,Pulse,ON,Everlight and Freescale. Main products comprise IC,Modules,Potentiometer,IC Socket,Relay,Connector.Our parts cover such applications as commercial,industrial, and automotives areas.

We are looking forward to setting up business relationship with you and hope to provide you with the best service and solution. Let us make a better world for our industry!



## Contact us

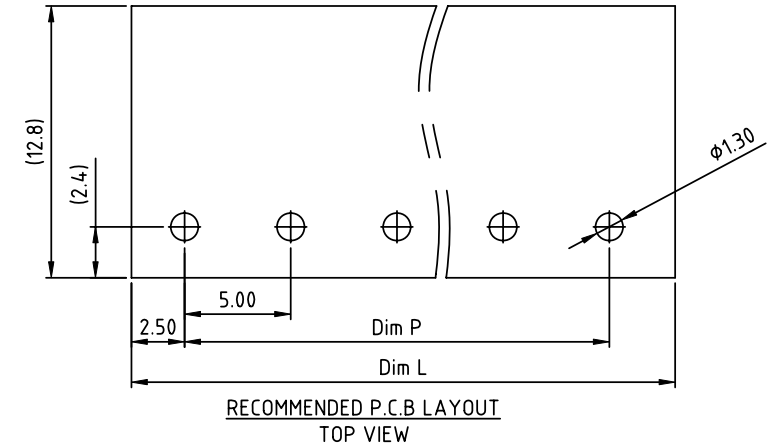
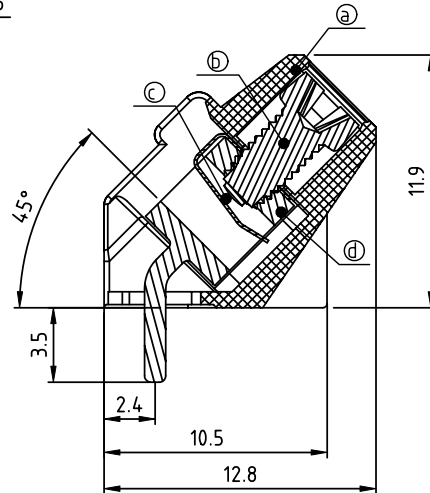
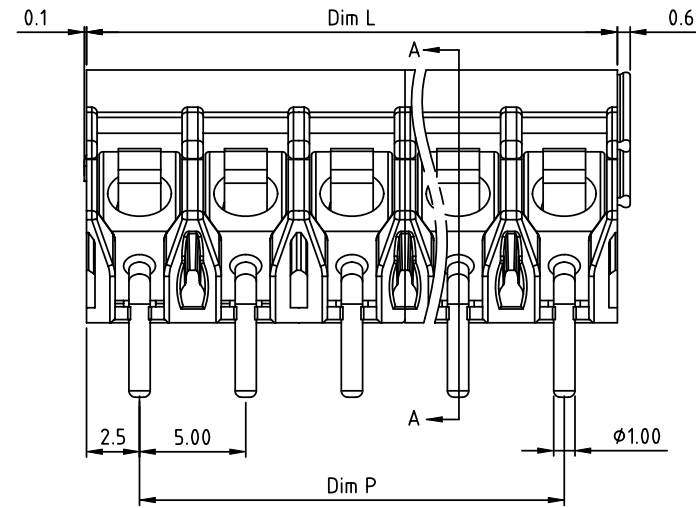
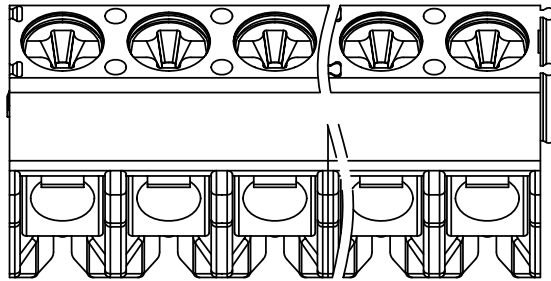
Tel: +86-755-8981 8866 Fax: +86-755-8427 6832

Email & Skype: info@chipsmall.com Web: www.chipsmall.com

Address: A1208, Overseas Decoration Building, #122 Zhenhua RD., Futian, Shenzhen, China



PRODUCT NUMBER	PITCH
KZxx70x100J0G	5.00 mm



Materials

- ItemⒶ Terminal housing : Thermoplastic (UL94V-0)
- ItemⒷ Terminal screw: Steel Zinc plating "+/-" slot type
- ItemⒸ Wire guard : Stainless steel
- ItemⒹ Terminal body: Brass(CuZn) ,Tin Plated

Electrical cULus

- Voltage rating: 300VAC
- Current rating: 15A
- Wire range:
  - Solid wire(AWG): 12-26
  - Stranded wire(AWG): 12-26
- Torque(Lb-In): 3.5
- Screw: M2.6
- Wire strip length: 5-6mm
- Withstanding Voltage: 1.6KV
- Operating temperature: -40°C to +115°C
- Soldering temperature: 260°C±5°C/5 Sec
- Safety Approval:

N = Number of poles  
Dim L = N x 5.0  
Dim P = (N-1) x 5.0

Poles	Dim.	Dim L	Dim P
2-6p		±0.15	±0.15
7-12p		±0.25	±0.25
13-18p		±0.35	±0.35
19-24p		±0.40	±0.40

PART NO.: KZ xx 7 0 x 1 00J0 G

- End stackable
- No. of poles
- 0 2 poles
- 02 3 poles
- 03 ...
- 24 24 poles
- Body Color
- 0 Black (RAL9005)
- 2 Red (RAL3001/D)
- 3 Orange(RAL2011/P)
- 4 Yellow(RAL1018/A)
- 5 Green(RAL6018/T)
- 6 Blue (RAL5015/A)
- 8 Grey(RAL7035/D)
- 9 White(RAL1102)
- C Green(RAL6018/U)
- RoHS compliant (lead<4%) In copper Alloy

mat'l. code		surface ASME Y14.5	tolerance ASME Y14.5	projection	product family TERMINAL BLOCK					
ltr	ecn no	dr	date	 MM scale	title TERMINAL BLOCK WIRE PROTECTOR, ROUND HOLE, 45D WIRE INLET KZxx70x100J0G type CUSTOMER Drawing					
tolerances unless otherwise specified		angles	<table border="1"> <tr> <td>0</td> <td>X.±0.5</td> </tr> <tr> <td>0.1</td> <td>X.X±0.3</td> </tr> <tr> <td>0.1</td> <td>X.XX±0.1</td> </tr> </table>			0	X.±0.5	0.1	X.X±0.3	0.1
0	X.±0.5									
0.1	X.X±0.3									
0.1	X.XX±0.1									
dr	ENGR	chr	appd		sheet 1 of 1 size A4					
EVIN ZHONG	040314	HANKE FENG	SHI JUN							
EVIN ZHONG	040314									
HANKE FENG	040314									
SHI JUN	040314									
sheet index	revision sheet	A	1							