



Chipsmall Limited consists of a professional team with an average of over 10 year of expertise in the distribution of electronic components. Based in Hongkong, we have already established firm and mutual-benefit business relationships with customers from,Europe,America and south Asia,supplying obsolete and hard-to-find components to meet their specific needs.

With the principle of "Quality Parts,Customers Priority,Honest Operation,and Considerate Service",our business mainly focus on the distribution of electronic components. Line cards we deal with include Microchip,ALPS,ROHM,Xilinx,Pulse,ON,Everlight and Freescale. Main products comprise IC,Modules,Potentiometer,IC Socket,Relay,Connector.Our parts cover such applications as commercial,industrial, and automotives areas.

We are looking forward to setting up business relationship with you and hope to provide you with the best service and solution. Let us make a better world for our industry!



Contact us

Tel: +86-755-8981 8866 Fax: +86-755-8427 6832

Email & Skype: info@chipsmall.com Web: www.chipsmall.com

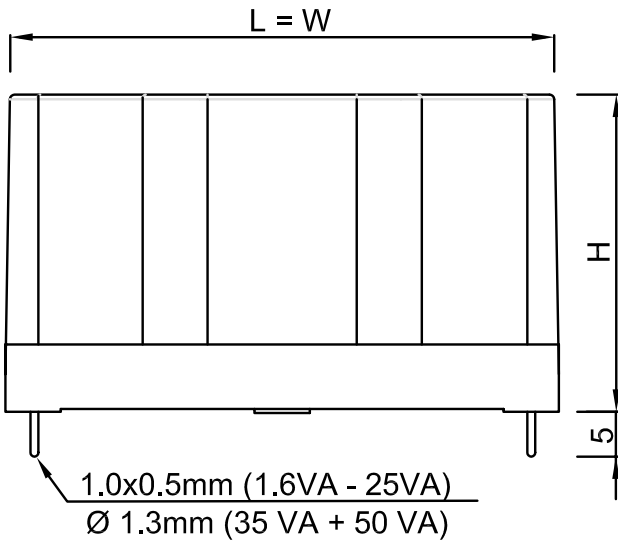
Address: A1208, Overseas Decoration Building, #122 Zhenhua RD., Futian, Shenzhen, China





AMGIS

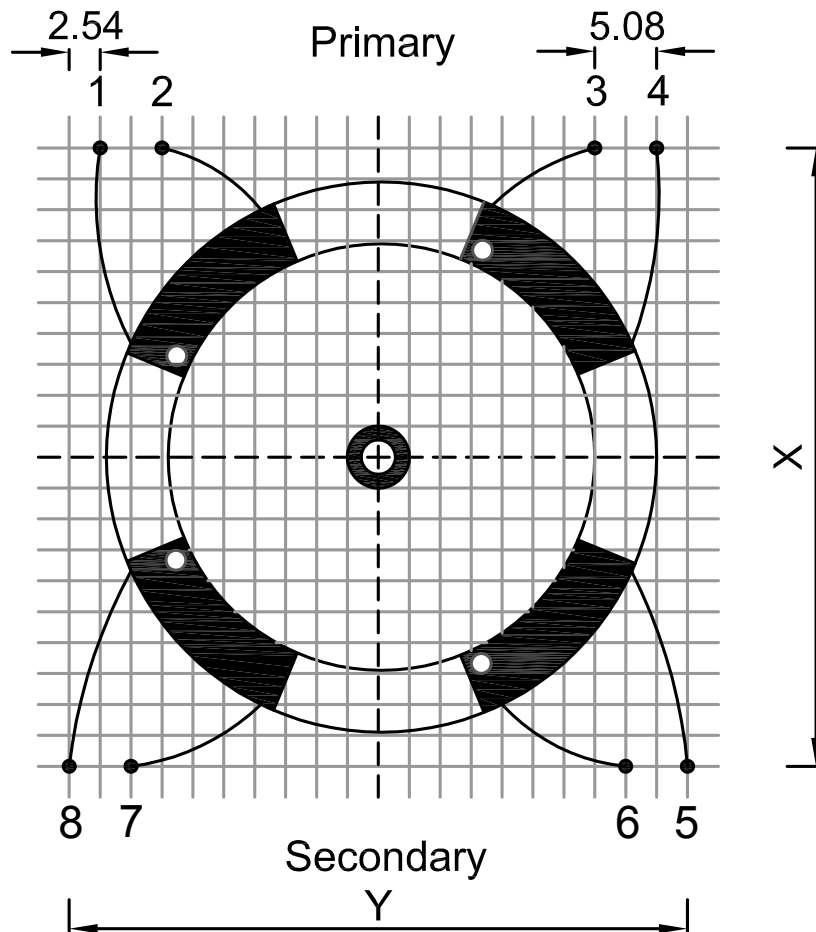
L01 Series 50 60 Hz PC Mount Toroidal Transformers



Specifications valid for all types:

Input Voltage	2x115V, 50/60Hz
HV test	4.0KV (prim - sec)
Ambient Temperature	T 70/F
Isolation class VDE*	F 155° C
Safety Approval	VDE, UL ,CE

* Refer next page



AMGIS, LLC * 10830 Kinghurst Dr. Houston, TX 77099

Phone: 832-775-1319 * Fax: 281-933-9067* email: sales@amgistoroids.com

Toll Free: 877-762-6447 * www.amgistoroids.com



AMGIS

1.6 VA	Part Number	Secondary		No load voltage	Resistance 20°C	L x W x H = 39.6 x 39.6 x 18.5 mm X x Y = 35.56 x 35.56 mm Weight total = 80 g Weight Cu = 20 g Efficiency = 77% External Fuse 32mA (stb) at 230V Fixing = M4 threaded screw
	L01-6300	2 x 7V	114 mA	2 x 9V	2 x 8.80Ω	
	L01-6301	2 x 9V	89 mA	2 x 11.6V	2 x 15.8Ω	
	L01-6302	2 x 12V	67 mA	2 x 15.4V	2 x 26.9Ω	
	L01-6303	2 x 15V	53 mA	2 x 19.3V	2 x 43.4Ω	
	L01-6304	2 x 18V	44 mA	2 x 23.4V	2 x 65.9Ω	
* L01-6305	2 x 22V	36 mA	2 x 28.2V	2 x 88.1Ω		
3.2 VA	Part Number	Secondary		No load voltage	Resistance 20°C	L x W x H = 44.7 x 44.7 x 19.5 mm X x Y = 40.64 x 40.64 mm Weight total = 110 g Weight Cu = 26 g Efficiency = 70% External Fuse 32mA (stb) at 230V Fixing = M4 threaded screw
	L01-6310	2 x 7V	229 mA	2 x 10.2V	2 x 7.0Ω	
	L01-6311	2 x 9V	178 mA	2 x 13.0V	2 x 11.3Ω	
	L01-6312	2 x 12V	133 mA	2 x 17.3V	2 x 20.7Ω	
	L01-6313	2 x 15V	107 mA	2 x 21.4V	2 x 28.9Ω	
	* L01-6314	2 x 18V	89 mA	2 x 25.7V	2 x 45.4Ω	
* L01-6315	2 x 22V	73 mA	2 x 31.3V	2 x 62.2Ω		
5 VA	Part Number	Secondary		No load voltage	Resistance 20°C	L x W x H = 49.7 x 49.7 x 19.5 mm X x Y = 45.72 x 45.72 mm Weight total = 144 g Weight Cu = 33 g Efficiency = 68% External Fuse 50mA (stb) at 230V Fixing = M4 threaded screw
	L01-6320	2 x 7V	357 mA	2 x 9.7V	2 x 4.0Ω	
	L01-6321	2 x 9V	278 mA	2 x 12.4V	2 x 6.5Ω	
	L01-6322	2 x 12V	208 mA	2 x 17.0V	2 x 12.3Ω	
	L01-6323	2 x 15V	167 mA	2 x 21.3V	2 x 19.0Ω	
	* L01-6324	2 x 18V	139 mA	2 x 25.5V	2 x 28.8Ω	
* L01-6325	2 x 22V	114 mA	2 x 30.5V	2 x 39.1Ω		
7 VA	Part Number	Secondary		No load voltage	Resistance 20°C	L x W x H = 49.7 x 49.7 x 23.1 mm X x Y = 45.72 x 45.72 mm Weight total = 174 g Weight Cu = 36 g Efficiency = 74% External Fuse 63mA (stb) at 230V Fixing = M4 threaded screw
	L01-6330	2 x 7V	500 mA	2 x 9.5V	2 x 2.5Ω	
	L01-6331	2 x 9V	389 mA	2 x 12.2V	2 x 4.1Ω	
	L01-6332	2 x 12V	292 mA	2 x 16.2V	2 x 7.7Ω	
	L01-6333	2 x 15V	233 mA	2 x 20.3V	2 x 12.0Ω	
	L01-6334	2 x 18V	194 mA	2 x 24.3V	2 x 17.9Ω	
* L01-6335	2 x 22V	159 mA	2 x 29.7V	2 x 24.4Ω		
10 VA	Part Number	Secondary		No load voltage	Resistance 20°C	L x W x H = 55.0 x 55.0 x 26.0 mm X x Y = 50.80 x 50.80 mm Weight total = 252 g Weight Cu = 45 g Efficiency = 82% External Fuse 80mA (stb) at 230V Fixing = M4 threaded screw
	L01-6340	2 x 7V	714 mA	2 x 8.3V	2 x 1.0Ω	
	L01-6341	2 x 9V	556 mA	2 x 10.8V	2 x 1.7Ω	
	L01-6342	2 x 12V	417 mA	2 x 14.4V	2 x 3.2Ω	
	L01-6343	2 x 15V	333 mA	2 x 18.0V	2 x 5.0Ω	
	L01-6344	2 x 18V	278 mA	2 x 21.7V	2 x 7.5Ω	
* L01-6345	2 x 22V	227 mA	2 x 26.3V	2 x 10.3Ω		
15 VA	Part Number	Secondary		No load voltage	Resistance 20°C	L x W x H = 60.0 x 60.0 x 26.3 mm X x Y = 55.88 x 55.88 mm Weight total = 304 g Weight Cu = 57 g Efficiency = 80% External Fuse 100mA (stb) at 230V Fixing = M4 threaded screw
	L01-6350	2 x 7V	1071 mA	2 x 8.9V	2 x 0.85Ω	
	L01-6351	2 x 9V	833 mA	2 x 11.1V	2 x 1.3Ω	
	L01-6352	2 x 12V	625 mA	2 x 14.8V	2 x 2.3Ω	
	L01-6353	2 x 15V	500 mA	2 x 18.5V	2 x 3.1Ω	
	L01-6354	2 x 18V	417 mA	2 x 22.2V	2 x 5.3Ω	
* L01-6355	2 x 22V	341 mA	2 x 27.2V	2 x 7.4Ω		
25 VA	Part Number	Secondary		No load voltage	Resistance 20°C	L x W x H = 60.0 x 60.0 x 37.5 mm X x Y = 55.88 x 55.88 mm Weight total = 435 g Weight Cu = 85 g Efficiency = 83% External Fuse 100mA (stb) at 230V Fixing = M4 threaded screw
	L01-6360	2 x 7V	1785 mA	2 x 8.3V	2 x 0.4Ω	
	L01-6361	2 x 9V	1377 mA	2 x 10.7V	2 x 0.7Ω	
	L01-6362	2 x 12V	1041 mA	2 x 14.3V	2 x 1.3Ω	
	L01-6363	2 x 15V	832 mA	2 x 17.8V	2 x 2.0Ω	
	L01-6364	2 x 18V	694 mA	2 x 21.4V	2 x 2.7Ω	
* L01-6365	2 x 22V	568 mA	2 x 26.2V	2 x 4.1Ω		
35 VA	Part Number	Secondary		No load voltage	Resistance 20°C	L x W x H = 72.0 x 72.0 x 37.5 mm X x Y = 66.04 x 66.04 mm Weight total = 590 g Weight Cu = 187 g Efficiency = 82% External Fuse 200mA (stb) at 230V Fixing = M5 threaded screw
	L01-6370	2 x 7V	2500 mA	2 x 8.2V	2 x 0.19Ω	
	L01-6371	2 x 9V	1944 mA	2 x 10.6V	2 x 0.32Ω	
	L01-6372	2 x 12V	1458 mA	2 x 14.0V	2 x 0.53Ω	
	L01-6373	2 x 15V	1167 mA	2 x 17.6V	2 x 0.84Ω	
	L01-6374	2 x 18V	972 mA	2 x 20.9V	2 x 1.10Ω	
* L01-6375	2 x 22V	795 mA	2 x 25.7V	2 x 1.34Ω		
50 VA	Part Number	Secondary		No load voltage	Resistance 20°C	L x W x H = 82.4 x 82.4 x 37.5 mm X x Y = 76.2 x 76.2 mm Weight total = 800 g Weight Cu = 209 g Efficiency = 85% External Fuse 315mA (stb) at 230V Fixing = M5 threaded screw
	L01-6380	2 x 7V	3571 mA	2 x 8.1V	2 x 0.13Ω	
	L01-6381	2 x 9V	2777 mA	2 x 10.4V	2 x 0.20Ω	
	L01-6382	2 x 12V	2083 mA	2 x 13.9V	2 x 0.34Ω	
	L01-6383	2 x 15V	1666 mA	2 x 17.3V	2 x 0.54Ω	
	L01-6384	2 x 18V	1389 mA	2 x 20.8V	2 x 0.82Ω	
* L01-6385	2 x 22V	1136 mA	2 x 25.4V	2 x 1.25Ω		

* Not Applicable for VDE

AMGIS, LLC * 10830 Kinghurst Dr. Houston, TX 77099

Phone: 832-775-1319 * Fax: 281-933-9067* email: sales@amgistoroids.com

Toll Free: 877-762-6447 * www.amgistoroids.com