



Chipsmall Limited consists of a professional team with an average of over 10 year of expertise in the distribution of electronic components. Based in Hongkong, we have already established firm and mutual-benefit business relationships with customers from,Europe,America and south Asia,supplying obsolete and hard-to-find components to meet their specific needs.

With the principle of “Quality Parts,Customers Priority,Honest Operation,and Considerate Service”,our business mainly focus on the distribution of electronic components. Line cards we deal with include Microchip,ALPS,ROHM,Xilinx,Pulse,ON,Everlight and Freescale. Main products comprise IC,Modules,Potentiometer,IC Socket,Relay,Connector.Our parts cover such applications as commercial,industrial, and automotives areas.

We are looking forward to setting up business relationship with you and hope to provide you with the best service and solution. Let us make a better world for our industry!



Contact us

Tel: +86-755-8981 8866 Fax: +86-755-8427 6832

Email & Skype: info@chipsmall.com Web: www.chipsmall.com

Address: A1208, Overseas Decoration Building, #122 Zhenhua RD., Futian, Shenzhen, China



Hall Effect Current Sensors L01Z***S05 Series



Features:

- Open Loop type
- Printed circuit board mounting
- Unipolar power supply
- Aperture for cable or bus bar
- Insulated plastic case according to UL94V0

Advantage:

- Excellent accuracy
- Very good linearity
- Low temperature drift
- Wide frequency bandwidth
- No insertion loss
- High Immunity To External Interference
- Optimised response time
- Current overload capability

Specifications

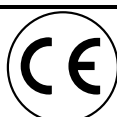
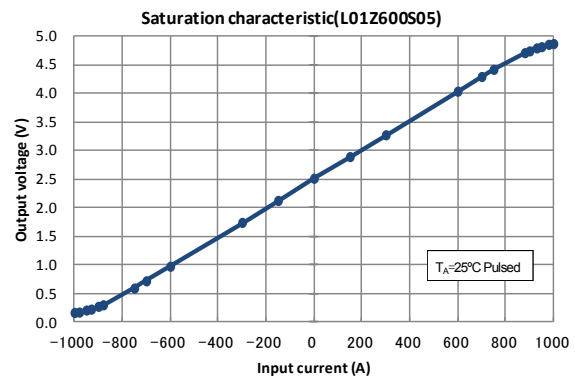
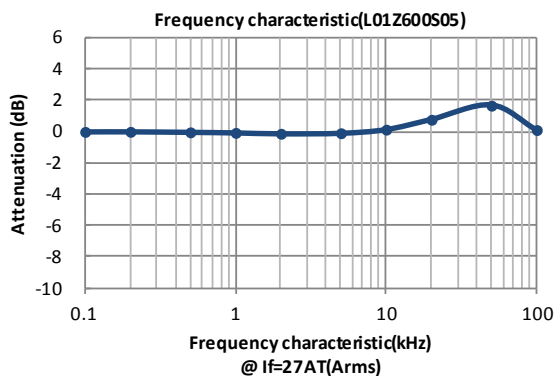
 $T_A=25^{\circ}\text{C}$, $V_{CC}=+5\text{V}$, $R_L=10\text{k}\Omega$

Parameters	Symbol	L01Z050S05	L01Z100S05	L01Z150S05	L01Z200S05	L01Z300S05	L01Z400S05	L01Z500S05	L01Z600S05
Primary nominal current	I_f	50AT	100AT	150AT	200AT	300AT	400AT	500AT	600AT
Saturation current	I_{fmax}	$\geq \pm I_f \times 1.25$							
Rated output voltage (at I_f)	V_o	$V_{of}+1.5\text{V}$ $\pm 0.045\text{V}$	$V_{of}+1.5\text{V} \pm 0.035\text{V}$						
Offset voltage ¹ (at $I_f=0\text{A}$)	V_{of}	V_{REF}^1 $\pm 0.035\text{V}$	$V_{REF}^1 \pm 0.030\text{V}$						
Saturation output voltage	$V_{o min/max}$	$V_{o min} \leq 0.5\text{V}$, $4.5\text{V} \leq V_{o max}$							
Output linearity ² (0A~ I_f)	ϵ_L	$\leq \pm 1\%$ (at I_f)							
Power supply voltage	V_{CC}	$5\text{V} \pm 2\%$							
Consumption current	I_{CC}	$\leq 15\text{mA}$							
Response time ³	t_r	$\leq 10\mu\text{s}$ (at $di/dt = 100\text{A} / \mu\text{s}$)							
Thermal drift of gain ⁴	$TcVo$	$\leq \pm 2\text{mV}/^{\circ}\text{C}$	$\leq \pm 1.5\text{mV}/^{\circ}\text{C}$						
Thermal drift of offset	$TcVof$	$\leq \pm 2\text{mV}/^{\circ}\text{C}$	$\leq \pm 1.0\text{mV}/^{\circ}\text{C}$						
Hysteresis error (at $I_f=0\text{A} \rightarrow I_f \rightarrow 0\text{A}$)	V_{OH}	$\leq 8\text{mV}$			$\leq 4\text{mV}$		$\leq 6\text{mV}$		
Insulation voltage	V_d	AC2500V for 1minute (sensing current 0.5mA), inside of through hole \leftrightarrow terminal							
Insulation resistance	R_{IS}	$\geq 500\text{M}\Omega$ (at DC500V), inside of through hole \leftrightarrow terminal							
Ambient operation temperature	T_A	$-10^{\circ}\text{C} \sim +80^{\circ}\text{C}$							
Ambient storage temperature	T_S	$-15^{\circ}\text{C} \sim +85^{\circ}\text{C}$							

¹ $V_{REF} = V_{CC} / 2$ (ratiometric). After removal of core hysteresis—² Without offset —³ Time between 90% input current full scale and 90% of sensor output full scale —

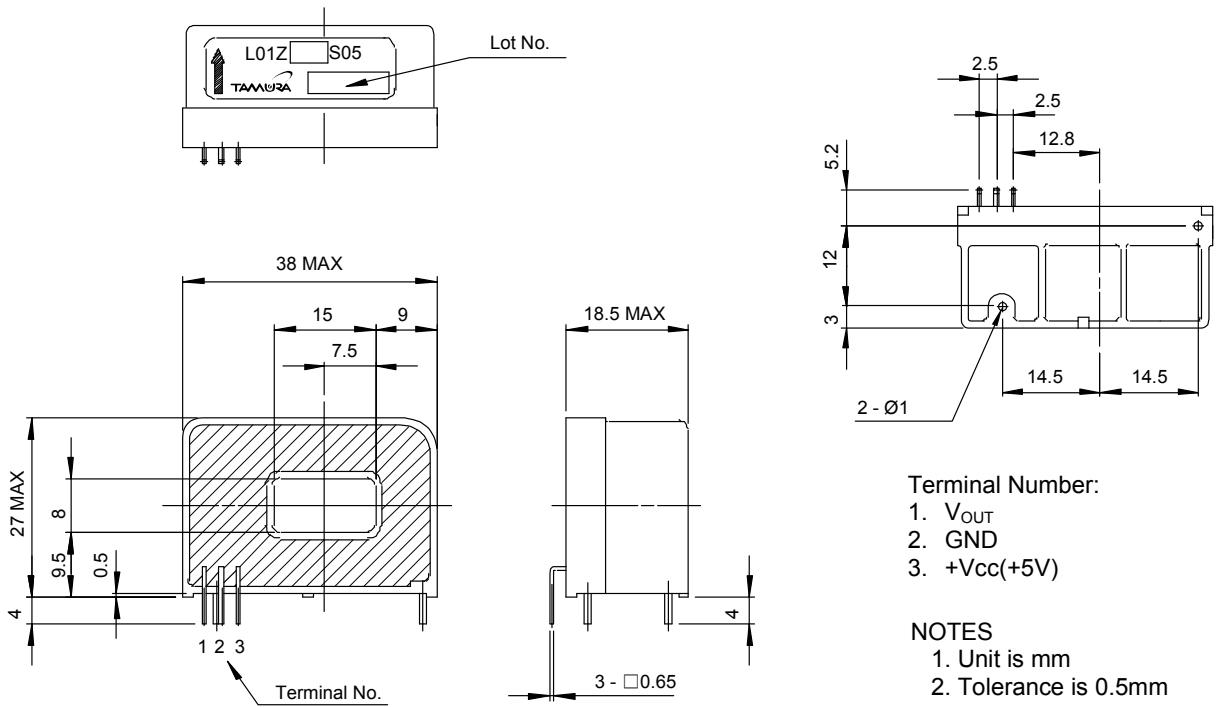
⁴ Without Thermal drift of offset

Electrical Performances

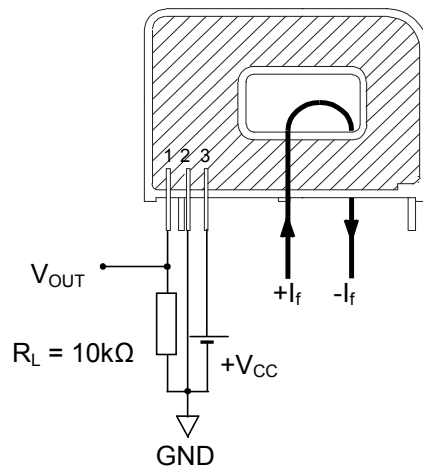


Hall Effect Current Sensors L01Z***S05 Series

Mechanical dimensions



Electrical connection diagram



Package & Weight Information

Weight	Pcs/box	Pcs/carton	Pcs/pallet
45g	50	200	4800

