



Chipsmall Limited consists of a professional team with an average of over 10 year of expertise in the distribution of electronic components. Based in Hongkong, we have already established firm and mutual-benefit business relationships with customers from,Europe,America and south Asia,supplying obsolete and hard-to-find components to meet their specific needs.

With the principle of "Quality Parts,Customers Priority,Honest Operation,and Considerate Service",our business mainly focus on the distribution of electronic components. Line cards we deal with include Microchip,ALPS,ROHM,Xilinx,Pulse,ON,Everlight and Freescale. Main products comprise IC,Modules,Potentiometer,IC Socket,Relay,Connector.Our parts cover such applications as commercial,industrial, and automotives areas.

We are looking forward to setting up business relationship with you and hope to provide you with the best service and solution. Let us make a better world for our industry!



Contact us

Tel: +86-755-8981 8866 Fax: +86-755-8427 6832

Email & Skype: info@chipsmall.com Web: www.chipsmall.com

Address: A1208, Overseas Decoration Building, #122 Zhenhua RD., Futian, Shenzhen, China



Hall Effect Current Sensor L05Z800S15



Features:

- Open Loop type
- Panel mounting
- Unipolar power supply
- Industrial temperature range
- JST connector
- Insulated plastic case according to UL94V0

Advantage:

- Excellent accuracy and linearity
- Low temperature drift
- Wide frequency bandwidth
- No insertion loss
- High Immunity to external Interference
- Current overload capability
- Regulated offset voltage

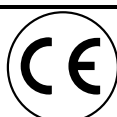
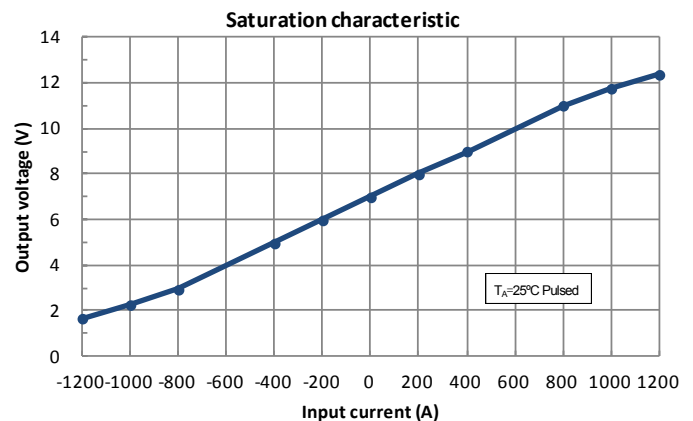
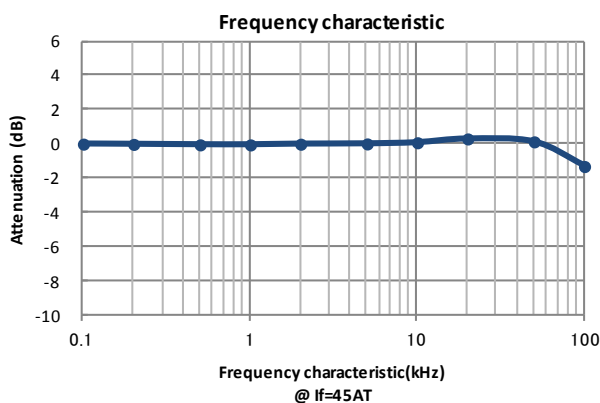
Specifications

 $T_A=25^{\circ}\text{C}$, $V_{CC}=+15\text{V}$, $R_L=10\text{k}\Omega$

Parameters	Symbol	L05Z800S15
Primary nominal current	I_f	800AT
Saturation current	I_{fmax}	$\geq \pm 900\text{AT}$
Rated output voltage	V_o	$11\text{V} \pm 0.11\text{V}$ (at I_f)
Offset voltage ¹	V_{of}	$+ 7.0\text{V} \pm 0.05\text{V}$ (at $I_f=0\text{A}$)
Output linearity ² (0A~ I_f)	ϵ_L	$\leq \pm 1\%$ (at I_f)
Power supply voltage	V_{CC}	$+ 15\text{V} \pm 5\%$
Consumption current	I_{CC}	$\leq 20\text{mA}$
Response time ³	t_r	$\leq 10\mu\text{s}$ (at $di/dt = 100\text{A} / \mu\text{s}$)
Thermal drift of gain ⁴	$TcVo$	$\leq \pm 0.1\%/^{\circ}\text{C}$
Thermal drift of offset	$TcVof$	$\leq \pm 1.0\text{mV}/^{\circ}\text{C}$
Hysteresis allowance	V_{OH}	$\leq 20\text{mV}$ (at $I_f=0\text{A} \rightarrow I_f \rightarrow 0\text{A}$)
Insulation voltage	V_d	AC2500V, for 1minute (sensing current 0.5mA), inside of through hole \leftrightarrow terminal
Insulation resistance	R_{IS}	$\geq 500\text{M}\Omega$ (at DC500V), inside of through hole \leftrightarrow terminal
Ambient operation temperature	T_A	$-40^{\circ}\text{C} \sim +85^{\circ}\text{C}$
Ambient storage temperature	T_S	$-40^{\circ}\text{C} \sim +85^{\circ}\text{C}$

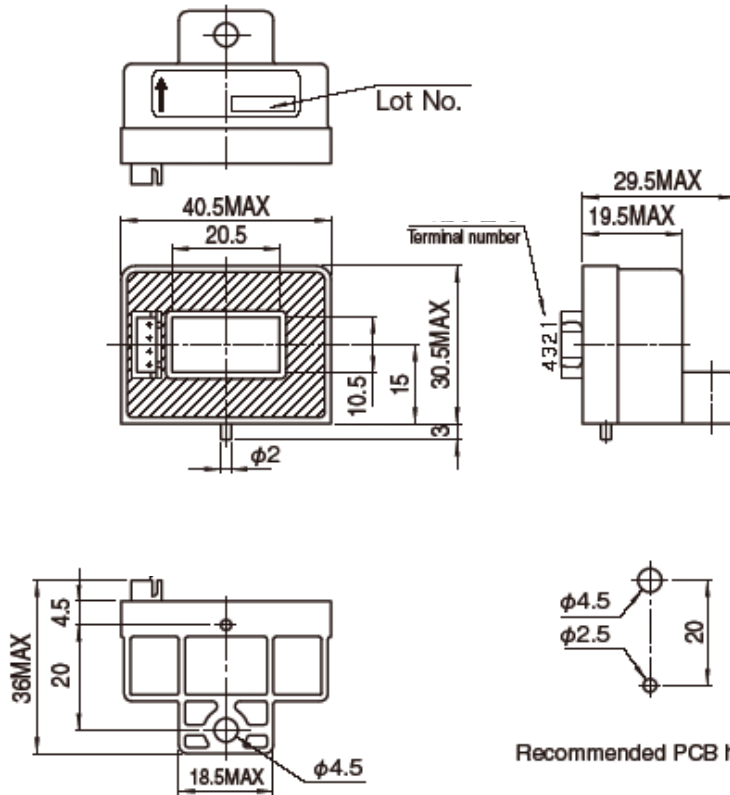
¹ V_{of} is fixed (independent of V_{CC}). After removal of core hysteresis—² Without offset —³ Time between 90% input current full scale and 90% of sensor output full scale—⁴ Without Thermal drift of offset

Electrical Performances



Hall Effect Current Sensor L05Z800S15

Mechanical dimensions



NOTES

1. Unit is mm
2. Tolerance is 0.5mm

Connector

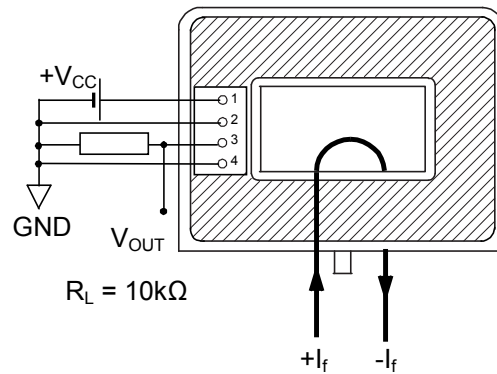
Manufacturer	Part Number
JST	B4B-XH-A-G

(Gold plated terminal)

Terminal number:

1. +V_{CC}(+15V)
2. GND
3. V_{OUT}
4. GND

Electrical connection diagram



Package & Weight Information

Weight	Pcs/box	Pcs/carton	Pcs/pallet
50g	20	200	3600

